

## Installation Instructions with MONARCH PUMP

**NOTE: DO NOT MOUNT TO PLASTIC REMOVABLE BED LINERS**

**CAUTION: ALWAYS CHECK TO MAKE SURE YOU ARE NOT DRILLING THE FRAME HOLES INTO THE VEHICLES GAS TANK**

All dump insert units are shipped with an Installation Kit containing (2) battery cables, an installation manual, (4) ¼" x 3 x 3 steel plate washers, (4) ¼" x 1 ½ x 1 ½ steel plate washers and (4) steel clamps. Please check to make sure that all items are on hand before installation. **THE INSTALLER MUST PROVIDE BOLTS.**

1. Remove tailgate from the truck
2. The hydraulic fluid reservoir is shipped full, but may need to be “topped off” with the insert in the “down” position. Before operating the dump insert, make sure the tank is filled to a ½” below the top of the tank.
3. Connect battery cables provided to the hydraulic pump (directions for Monarch brand pump)
  - a. The Red truck battery cable attaches to the stud of the starter solenoid with the black wire.
  - b. The Black truck battery cable attaches to the motor housing labeled GND. Refer to diagram on page.
4. Slide dumper into truck bed, checking for proper clearance.
  - Rear cross member of dumper frame must not extend beyond the truck bed
  - ***Allow ½” minimum clearance between dumper pump and front wall of truck bed***
5. Remove the two (2) shipping straps from the front of the dumper
6. Secure power cables. Run the battery cables to positive and negative terminal of the truck battery
  - Extreme care should be taken when positioning the cables
  - Keep cables clear of exhaust system and protect at points of rubbing and sharp edges
  - DO NOT expose cables below truck frame and prevent from drooping
  - Keep cables clear of dumper body rests on the EZ-Dumper insert frame
7. Push unit forward and position the dump insert properly into the truck bed
8. Using the remote control, raise the dump insert. Prop is provided for blocking. DO NOT block under loaded condition

**CAUTION: TO PREVENT ACCIDENTAL LOWERING OF THE DUMP INSERT, BLOCK UNIT IN RAISED POSITION FOR INSTALLATION AND SERVICING.**

9. Four (4) clamps are provided for easy installation of your EZ-Dumper Insert. Set the clamps over the sides of the frame at points B and C (refer to the diagram). **Clamps at location “C” must be positioned over the rear cross member on the EZ-Dumper Insert sub frame.**

- Clamps at position “C” should be placed as close to the hinge points as possible
- When possible, use bolt holes provided by front and rear bed bolts. If truck bed is welded, holes must be drilled into frame or cross member.

**DO NOT MOUNT TO BED SHEET; UNIT MUST BE BOLTED TO TRUCK FRAME OR CROSS MEMBER!**

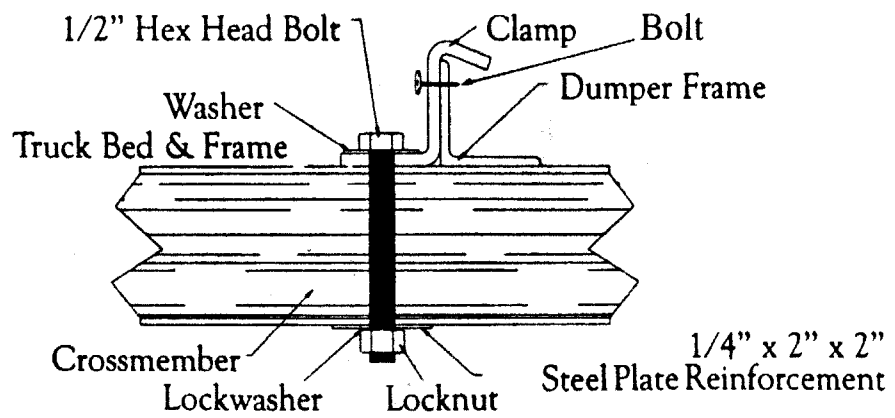
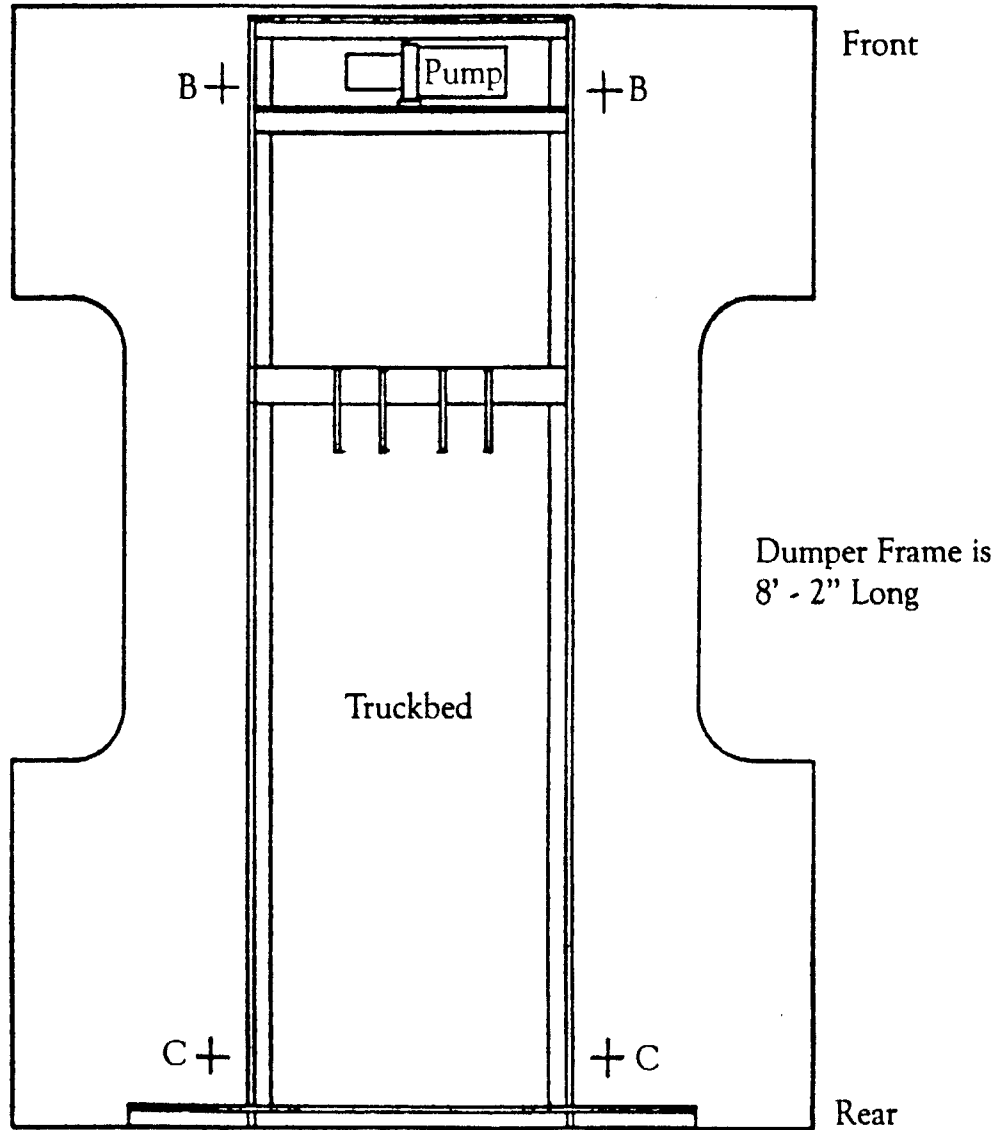
- When it is necessary to mount through cross member, reinforce with steel plate washers as illustrated in the installation diagram.
  - Use minimum of ½” bolts with lock washers and shake proof nuts
  - Bolt unit down
10. Once unit is bolted down, drill a hole through clamps and through the EZ-Dumper sub-frame, using the hole in the clamp as a guide
    - a. Bolt the clamp and sub-frame together using proper size bolts and lock washers (not provided)
    - b. Clamps can also be tack welded to dumper sub-frame
  11. Remove prop rod and cycle several times. Press the “UP” arrow on the hand control to raise the dump bed. Press the “DOWN” arrow on the hand control to lower the dump bed
  12. **\*\*\*When the insert bed is all the way down you will hear it hit the “stops” on the bottom frame. It cannot go any lower! DO NOT keep pushing the DOWN arrow or the hoist will continue to contract and the link arms could dent the truck bed.**
  13. Re-check all bolts to make sure the unit is secure

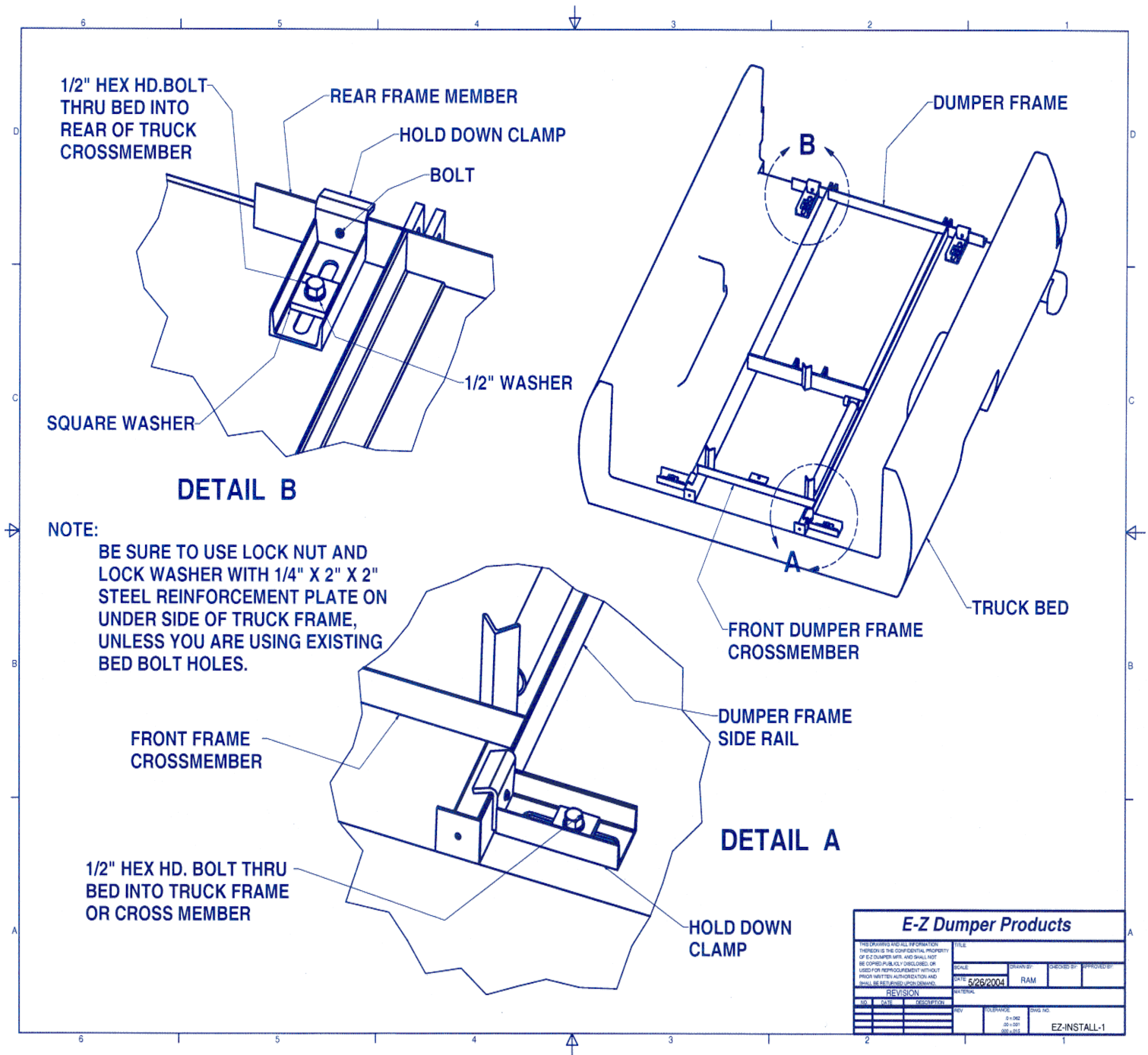
Your EZ-Dumper Dump Insert is now ready for use. Please read the notice below before operating the equipment.

**DANGER: PRIOR TO SERVICING THE UNIT, MAKE SURE THE SAFETY PROP IS SECURED. NEVER PLACE ANY PART OF YOUR BODY UNDER THE DUMP BED WITHOUT THE SAFETY PROP SECURED. DO NOT BLOCK THE DUMP BED UNDER A LOADED CONDITION. WHEN OPERATING DUMP BED, KEEP HANDS AND BODY CLEAR OF FRAME AND BED. ALWAYS CHECK BEHIND DUMP UNIT BEFORE DUMPING MATERIAL. DO NOT OPERATE DUMP BED WHILE PARKED ON A SLOPE. FAILURE TO COMPLY COULD RESULT IN SEVERE PERSONAL INJURY OR DEATH.**

**CAUTION: USE CARE WHEN YOU DRILL TO PREVENT DRILLING INTO GAS TANK OR OTHER TRUCK PARTS!**

# INSTALLATION DIAGRAM





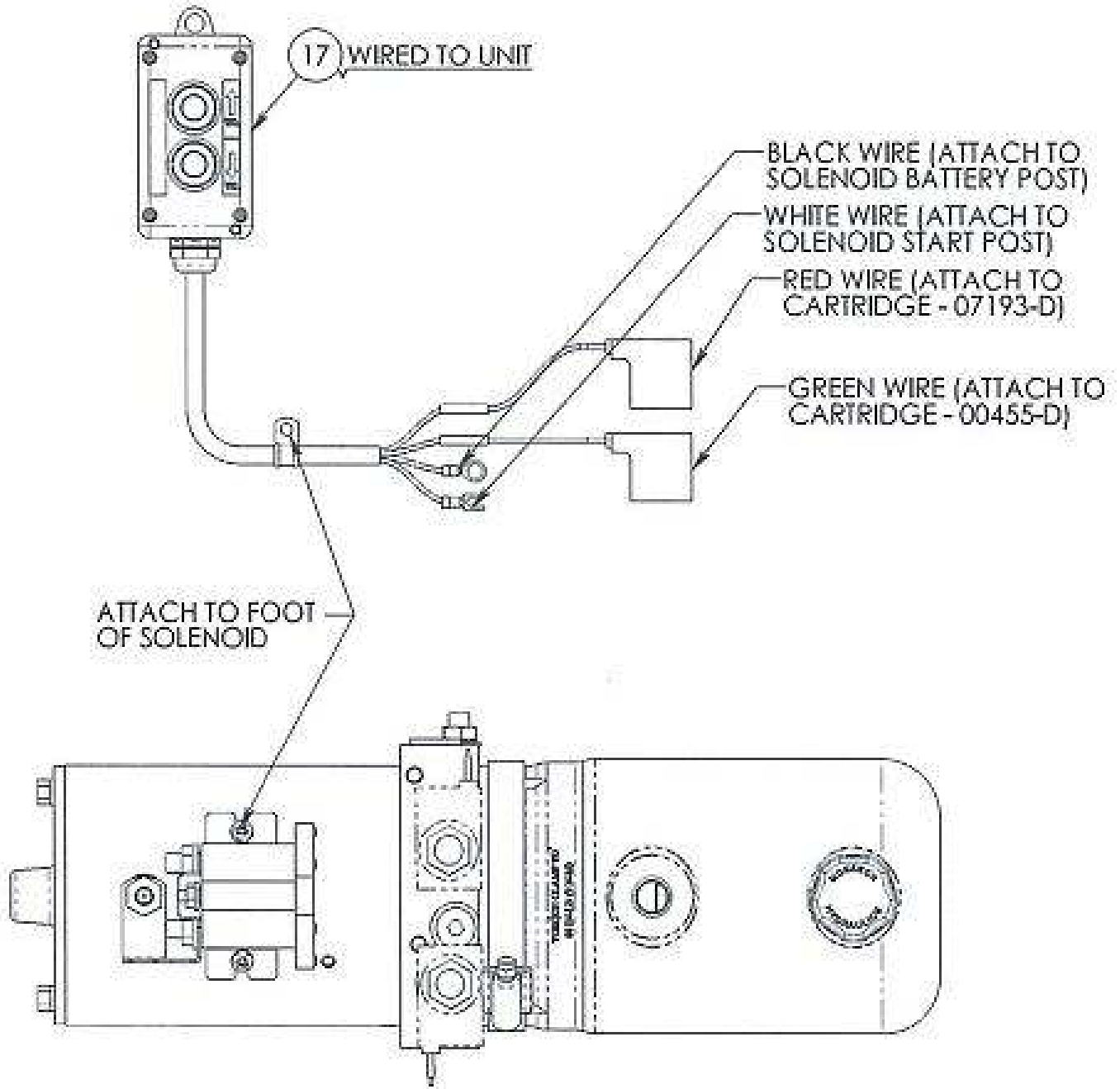
NOTE: Hold Down Brackets may not look exactly like ones shown in illustrations.

# Serial Number

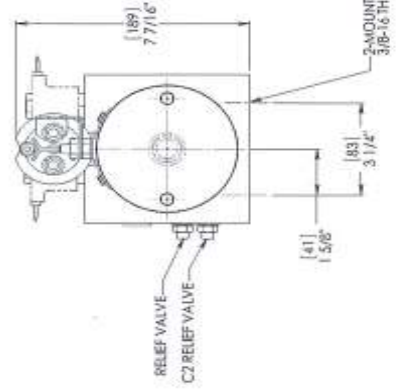
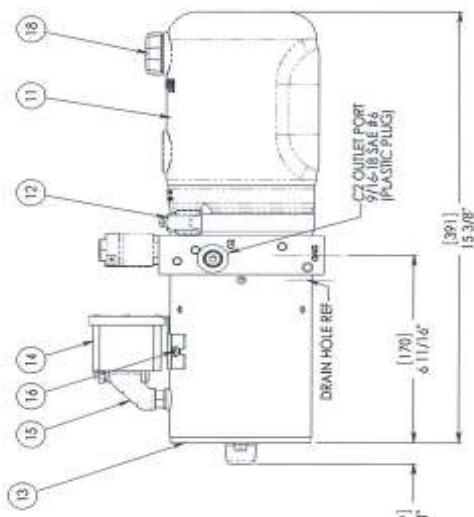
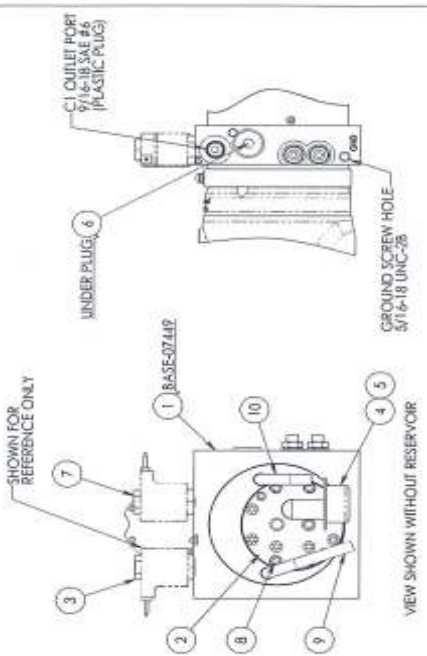
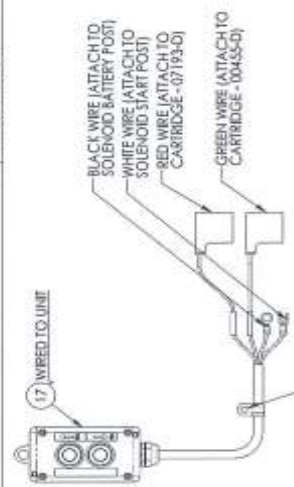
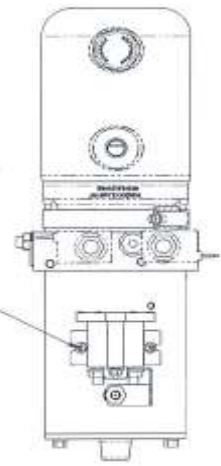
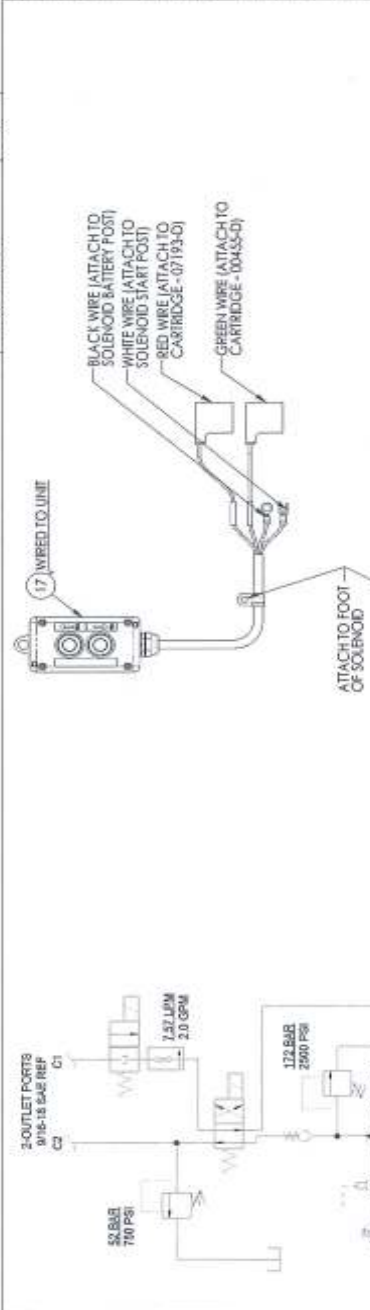
For your convenience, please write down your Dump Insert Serial number. Your Serial number is also located on a strip of metal welded to the front (cab side) of the dump insert.



# Double Acting Monarch Remote Wiring



ITEM NO	QTY	PART NO	DESCRIPTION
1	1	12379	BASE ASSY M3551 MOD STD MTR/MT
2	1	12171-250	P ASSY OIM MODR DC BRGS BLD RSV
3	1	00455-D	CARTRIDGE 4-W/2-P .88, 1/2 STEM
4	1	01134	FILTER SCREEN M-SERIES SUCT
5	1	01209	TUBE SUCTION 90 DGR 3/8NPT
6	1	01793-2-00	POPPET ASSY P CAMP FL GPM2.00
7	1	07193-D	CARTRIDGE 2W/2P NC POPPET 4000
8	4	07818	SCREW 3HC 1/4-20 X 3.0 BLK OX
9	1	13058	TUBE RETURN 90DEG 1/8NPT M301
10	1	13059	TUBE RETURN 90DEG 1/8NPT
11	1	06102	RESV PLASTIC 4.50X4.8X1.0
12	1	09900	CLAMP HOSE WORM GEAR RSV M-SER
13	1	08111	MOTOR DC 12V 4.5 1.1 TRM
14	1	17757	SWITCH SOL ACT MTR ST 12 VDC
15	1	13155	STRAP MOTOR-SOLENOID CONNECTING
16	2	17071	SCREW PAN HD TORX 10-32 X 5/16
17	1	04334DH112-1B0	CONTROL STATION WF 2 PB/W180
18	1	03171	PLUG RESV BREATHER 3/8 NPT



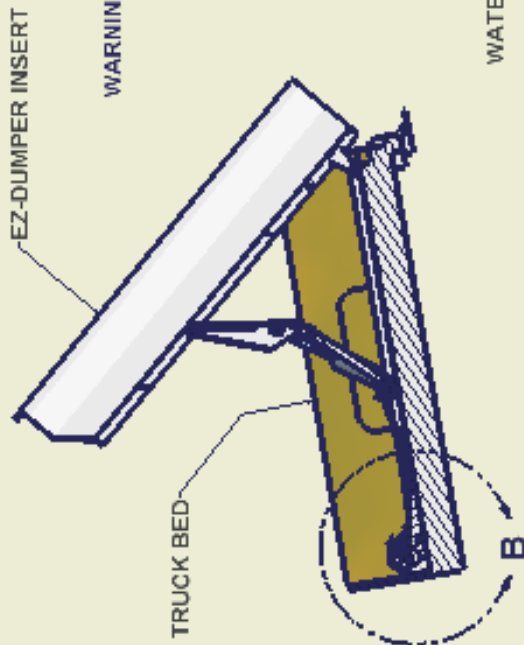
REV	DESCRIPTION	SIZE
D		
REV BY		
REV DATE		
CUSTOMER	BLUE RIDGE MOUNTAIN	
DATE	1/27/2009	
DRAWN BY	PMB	
ENR	13971	
DO NOT SCALE		
SHEET 1 OF 1		

THIS PRINT IS THE PROPERTY OF HYDROSEARCH AND IS NOT TO BE USED DIRECTLY OR INDIRECTLY IN ANY WAY DETRIMENTAL TO OUR INTEREST

NON-SPECIFIED TOLERANCES:  
 X.XX ± .010  
 X.XXX ± .015  
 FRACT. ± .015  
 ANGLES ± 1/2°  
 BREAK EDGES .05-.010  
 REMOVE BURRS

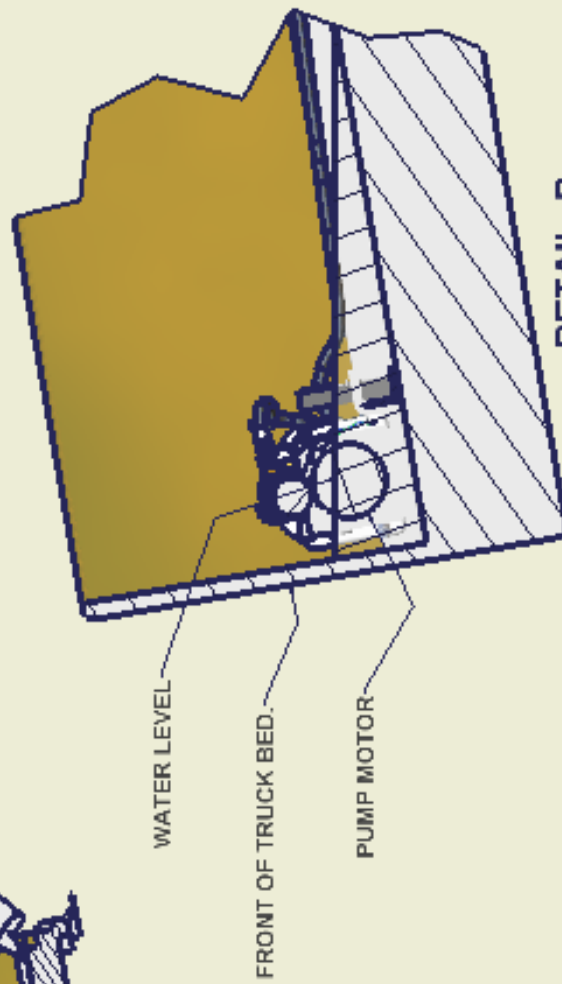
(MILLIMETER) INCH





**WARNING:**

IF YOU PARK YOUR TRUCK FACING DOWN-HILL?  
 BE ADVISED THAT WATER CAN ACCUMULATE IN THE TRUCK BED;  
 THUS SUBMERGING YOUR HYDRAULIC PUMP UNIT UNDER WATER.  
 (SEE DRAWING BELOW.)



THIS WILL VOID YOUR WARRANTY.  
 SUBMERGING YOUR PUMP WILL RUIN THE PUMP MOTOR.  
 ALWAYS STORE OR PARK YOUR TRUCK AND DUMPER INSERT  
 FACING UP-HILL; SO THAT ACCUMULATED RAIN WATER CAN DRAIN  
 FROM BED OF TRUCK.  
 THIS SAME WARNING APPLIES TO STACKED AND STORED INSERTS ON DEALER LOTS.

<b>E-Z Dumper Products</b>	
1000 W. 15th St. P.O. Box 1000 Waukesha, WI 53186	TEL: 262.533.4444
1000 W. 15th St. P.O. Box 1000 Waukesha, WI 53186	FAX: 262.533.4444
© 2000 E-Z Dumper Products	REV. 10/00



# Maintenance and Troubleshooting

To keep your EZ-Dumper in top condition, follow these simple maintenance procedures:

1. If it squeaks, grease it.
2. Do not operate when low on ATF fluid
3. Keep service area clean
- 4. Do not exceed 5 MPH with the Dump Insert in the upright position. Avoid sudden stops with unit in upright position.**

## Hydraulic Pump

If malfunction of the power unit should occur, inspect all hydraulic lines and electrical connections, and check for a good ground. Many malfunctions are caused by loose connections. Check the reservoir for proper fluid level (approximately 1/2" from top of tank when dumper is down). If fluid must be added, use clean Exxon Superflo ATF D/M. Please keep in mind when servicing this unit that the most common cause of system failure is dirt!!! Keep service area clean.

1. If unit does not operate at all: Malfunction is due to switch, solenoid, motor, dead battery, corroded terminals, or bad connections at the pump motor package.
2. If unit operates slowly and/or with low pressure: Malfunction is due to a leaking relief valve, clogged filter, worn pump, corroded or bad battery terminals, or hydraulic fluid that is too heavy.
3. If unit is unable to hold pressure: Malfunction is due to a leaking relief valve.

**NOTE:** *In most cases a leaking relief valve is caused by dirt. Unscrewing relief valve and cleaning thoroughly can often correct this.*

*\*The payload carrying capacity of any pickup truck is determined by the GVWR of the cab chassis, the curb weight of the chassis, and the weight of the body. (the 8ft insert weighs approx 787lbs). The pickup truck that carries any EZ Dumper insert must have sufficient carrying capacity and axle ratings for the dump insert. (Gross vehicle weight rating minus curb weight = payload capacity)*

**DANGER**

PRIOR TO SERVICING UNIT MAKE SURE SAFETY PROP IS SECURED. NEVER PLACE ANY PART OF YOUR BODY UNDER THE DUMP BED WITHOUT THE SAFETY PROP SECURED. DO NOT BLOCK DUMP BED UNDER LOADED CONDITION. WHEN OPERATING DUMP BED, KEEP HANDS AND BODY CLEAR OF FRAME AND BED. FAILURE TO COMPLY COULD RESULT IN SEVERE PERSONAL INJURY OR DEATH.

VALLEY MANUFACTURING, L.L.C. 800-666-0000-04

	<p><b>⚠ DANGER</b></p> <p>Do not reach under dump bed for any reason without first securing safety prop in upright position. Failure to comply could result in severe bodily injury or death.</p>
---	---

**⚠ DANGER**

**Make Sure Tailgate Control Handle Is Properly Secured With Link Before Dropping Tailgate.**

**Stand Well Clear Of Rear Of Trailer When Dumping**

Failure to comply can result in serious injury

**MANUFACTURED BY:**



PO BOX 70

800-266-5377



## MANUFACTURER'S WARRANTY

EZ-Dumper by Valley Manufacturing LLC, hereinafter referred to as Manufacturer warrants each new dump insert to the original purchaser to be free from defects in material and workmanship under normal use and service for a period of **two years** from the date the product is originally invoiced to the end-user or on the date the new product was first put into service, whichever comes first. You must submit a completed "Warranty Registration" form to Manufacturer within 15 days of this date or subsequent warranty claims will not be honored.

The Manufacturer's liability and obligation is limited to repair or at the Manufacturer's option, replacement of the product provided the purchaser returns the claimed defective product to the Manufacturer or an authorized dealer, with transportation charged prepaid, and examination by the Manufacturer discloses the product is defective.

Manufacturer makes no warranty with respect to hydraulic pumps, cylinders, or other accessories not manufactured by the Manufacturer, as these items are warranted by the respective manufacturer of those items. (Hydraulic Pumps are manufactured by Bucher/Monarch Hydraulics and have a 1 year manufacturer's warranty, Cylinders are manufactured by Beiler Hydraulics and have a 1 year manufacturer's warranty)

This warranty does not cover said product which has been repaired or altered without the Manufacturer's authorization that would affect the stability, reliability, safety, or performance of the product. This warranty does not cover damage or product failure, caused by accident, misuse, negligence, tampering, overloading, improperly attached, or improperly maintained. Manufacturer will only warrant its paint from defects as a result of improper preparation and application. The Manufacturer is held harmless for any injury or death caused by the misuse of this product.

This warranty is expressly in lieu of all other warranties and representations, expressed or implied, and all other obligations or liabilities on the part of EZ-Dumper by Valley Manufacturing, LLC.



## Warranty Registration

### EZ-Dumper by Valley Manufacturing, LLC

Complete all of the information requested below. You are responsible for filling out this warranty registration form and sending it to EZ-Dumper by Valley Manufacturing, LLC immediately upon invoicing equipment to end-user. Warranty coverage begins on the date the product is originally invoiced to the end-user, or on the date the new product was first put into service, whichever comes first. **YOU MUST SUBMIT A COMPLETE "PRODUCT WARRANTY REGISTRATION" FORM TO EZ-DUMPER BY VALLEY MANUFACTURING, LLC WITHIN 15 DAYS OF THIS DATE OR SUBSEQUENT WARRANTY CLAIMS WILL NOT BE HONORED.** Receipt of this warranty registration form by Ez-Dumper by Valley Manufacturing, LLC establishes the date on which the warranty coverage begins and validates the warranty. Send this copy to Ez-Dumper by Valley Manufacturing, LLC and make any additional copies of the warranty registration for the end-user and retain a copy for your records.

#### Registration Information

Please Type or Print

Company Name:

Contact Name

Address:

City:

State:

Zip:

Phone: (     )

Fax: (     )

Email Address:

Serial #/Vin #

Model #

Dealer/Distributor

In Service/Warranty State Date:

Salesperson:

(Date unit was sold to end-user) \*MUST BE COMPLETED

#### Please Assist us in Capturing the Following Market Information

##### How was the Unit Sold? (Check One)

EZ-Dumper Lead

Cold Call

Trade Show

Existing Customer

##### Type of Business (Check One)

Landscaper

General Contractor

Nursery

Golf Course

City Municipality

University

Other

Please Explain

Dealer/Distributor Signature

Date

End-User Signature

Date

**MAIL TO: EZ-DUMPER, PO BOX 70, WAYNESBORO, PA 17268 OR FAX TO: (717) 762-1966**