

INSTALLATION INSTRUCTIONS

GRILLE GUARD

DODGE RAM 1500 2/4 WD

2009-2013

14218T

Lista de partes				
Item	QTY	Code	Description	Max Torque
1	1 pcs	574230AB	Grille guard	
2	2 pcs	524244AA	Main brackets set	
3	1 Set	21711	Extencion bracket	
4	1set	504234AA	auxiliar y bracket	
5	2 pcs	21730	Rectangular spacer	
6	6 pcs		1/2 x 1 1/2" Hex head bolt	
7	12 pcs		1/2" Flat washer	
8	6 pcs		1/2" Lock washer	
9	6 pcs		1/2" Nut	
10	4 pcs		1/2 x 1 1/2" Carriage bolt Galv.	
11	4 pcs		1/2" Flat washer Galv.	
12	4 pcs		1/2" Lock washer Galv.	
13	4 pcs		1/2" Nut Galv.	
14	2 pcs		7/16 x 5" Hex. head bolt Galv.	
15	4 pcs		7/16" Flat washer Galv.	
16	2 pcs		7/16" Lock washer Galv.	
17	2 pcs		7/16" Nut Galv.	

Required Tool:

- A. Ratchet w/5" extension
- B. 5/8" Wrench or Socket
- C. 11/16" Wrench & socket
- D. 10mm Socket
- E. 3/4" Wrench or socket
- F. Flat screwdriver
- G. Utility knife
- H. 18mm wrench or socket

1. Before beginning the installation read all instructions thoroughly and verify that all hardware is accounted for. if there are any listed parts missing, please notify your distributor immediately.

2. To maintain and care this product keep it clean and do not use abrasive cleaners or polish waxes. It is recommended to use only non-abrasive automotive wax such as pure carnauba to avoid scratches and rust.

3. The approximate installation time is **45 min.**

4. Beginning with the passenger side, scribe 2 vertical lines the width of the outer rib in the bumper air dam. Measure and scribe 2 horizontal lines as shown. Use a utility knife or dremel tool to cut and remove the rectangular section between the lines. PHOTO# 1 y 2.

NOTE: verify the measurements before cutting.
Repeat the above procedure on the driver side.

5. Locate the nuts and studs that secure the bumper bracket to the passenger side frame rail. Remove the (2) outer nuts and install (1) rectangular spacer is only used on models equipped with factory tow hooks.

PHOTO

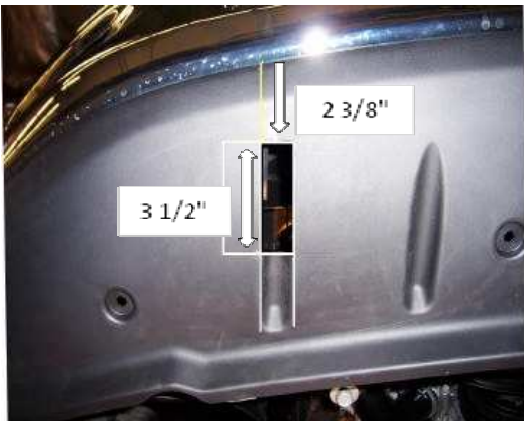
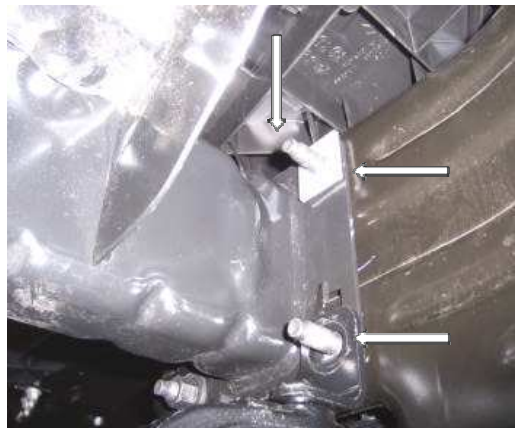


PHOTO 2



6. position the passenger side frame bracket over the studs and secure the bracket to the frame using the (2) factory nuts. Do not tighten. Photo#3

7. Insert the passenger side extension bracket up through the opening cut in the air dam. Attach the extension bracket to the frame bracket using (2) 1/2" x 1 1/2" carriage bolts, flat washers, lock washers and hex nuts. Do not tighten. PHOTO # 4

Repeat the above procedure to install the driver side frame and extension bracket.

PHOTO

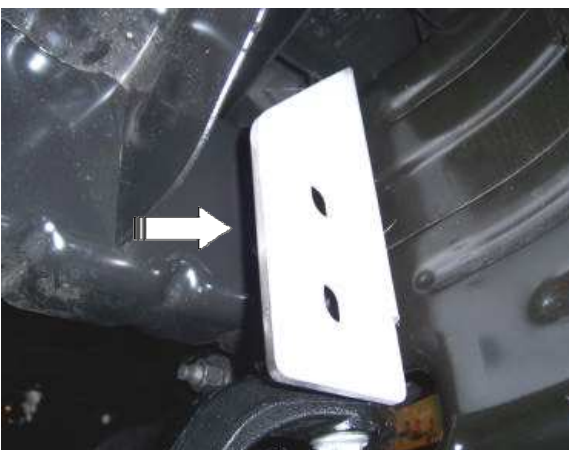


PHOTO 4



8. To install the auxiliary bracket use the provided template to cut out the bumper's lower cover position the auxiliary bracket through the opening cut out in the lower cover. PHOTO #5 Secure to the tow hook support using a 7/16" x 5" hex bolt, flat and lock washers, and hex nut. Also Attach to the lower bolt of the main bracket. Do not tighten yet repeat the procedure to the opposite side PHOTO #6

PHOTO 5



PHOTO 6



9. Attach the defender with 1/2" x 1 1/2" hex bolts, flat and lock washer and hex nut hand tighten. PHOTO # 7 y 8

PHOTO 7



PHOTO 8



10. Align the defender with the front of the vehicle and tighten all nuts and huts. PHOTO # 9 y 10

PHOTO 9



PHOTO 10



11. Periodically it may need a bolts re-tighten.

12. Fill the warranty card and place it inside your vehicle's glove box.

If the vehicle does not have factory tow hooks.
Cut this path. Place the path over the plastic cover to trim it.

