

INSTALLATION INSTRUCTIONS
37161 (1 - 3 - 4) SIDE BAR
FORD RANGER / MAZDA P. U. REG. CAB. 2 Dr. 98 - 08

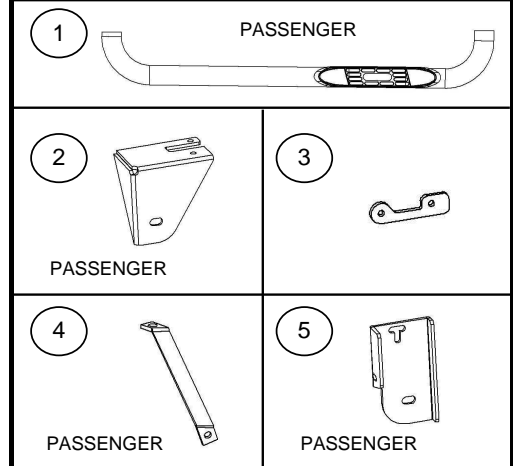
Parts list:

ITEM	QTY.	CODE	DESCRIPTION	TORQUE MAX.
1	1	371618AA-8BA	Side bar set	-
	1	BRK-37163	Brackets kit includes:	-
2	1	3706740	Front main bracket set	-
3	2	3706743	Complement front brk (driver & pas.)	-
4	1	3706720	Front auxiliary bracket set	-
5	1	370634AA	Rear main bracket set	-
	1	KTE-37163	Hardware kit includes:	
6	4	-	1/2 x 2" Hex head bolt	70 Lb.Ft
7	4	-	1/2" Flat washer	-
8	4	-	1/2" Lock washer	-
9	10	-	3/8 x 1 1/4" Hex head bolt	30 Lb.Ft
10	16	-	3/8" Flat washer	-
11	10	-	3/8" Lock washer	-
12	6	-	3/8" hex nut	30 Lb.Ft

Required Tools (no included)

DESCRIPTION	QTY.
9/16" Socket / wrench	1
3/4" Socket / wrench	1
Hand drill	1
7/16" Drill bit	1
Extension	1
Ratchet	1

ILLUSTRATION 1



Instructions:

Approximate installation time: 40 min.

1. Before beginning the installation, please read all directions carefully and verify that all necessary hardware is accounted for. If any parts are missing, stop the installation and contact your distributor immediately.
2. Side bar set consists of a driver and passenger side. Be sure to determinate the correct side before installation. **See illustration 2.**
3. Insert the nut plate in vehicle frame. **See illustration 2.**
4. Install front bracket to nut plate, attach using: (2) 3/8 x 1 1/4", (2) 3/8" flat washer, (2) 3/8" lock washer. **See illustration 3.**

ILLUSTRATION 2

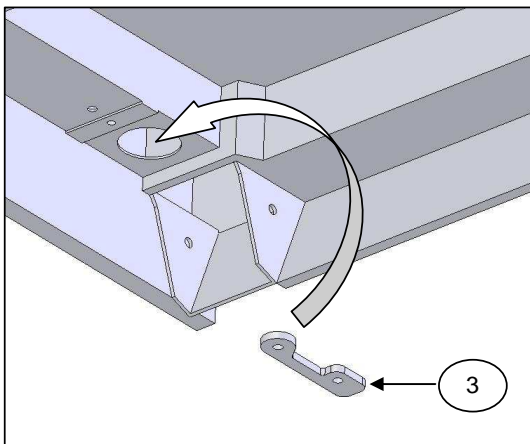
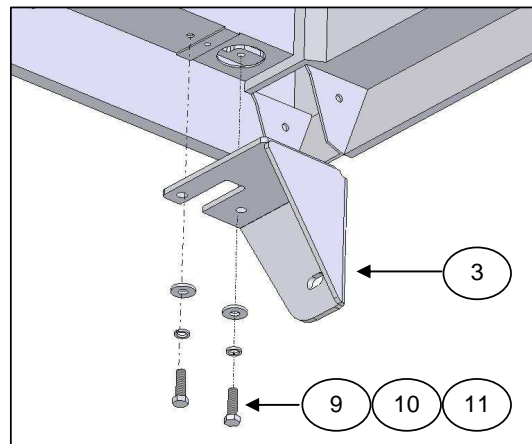


ILLUSTRATION 3



NOTE: Illustration passenger side.

Cleaning and care instructions:

Design :

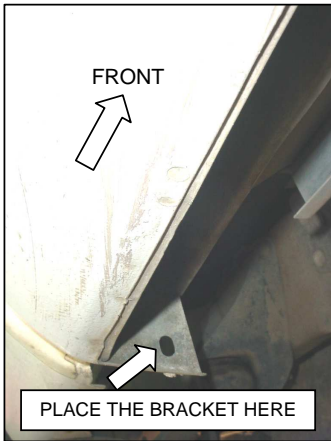
Quality:

Keep your product clean. Do not use abrasive cleaners or polish. We recommend only non-abrasive automotive wax such as pure carnauba to avoid scratches or rust.

INSTALLATION INSTRUCTIONS
37161 (1 - 3 - 4) SIDE BAR
FORD RANGER / MAZDA P. U. REG. CAB. 2 Dr. 98 - 08

5. Install front auxiliary bracket, attach using: (1) 3/8" x 1 1/4" hex head bolt , (2) 3/8" flat washer, (1) 3/8" lock washer (1) 3/8" hex nut. Leave loose. **See illustration 4.**
6. Locate in the rear part of the rocker panel the big hole and place rear bracket. Once the bracket it's in correct position, mark upper hole of bracket in the rocker panel and proceed to drill the where the mark was made using: (1) 7/16" drill bit . **Note: for you own safety use security glasses. See pictures 1, 2, illustration 5.**
7. Place the rear bracket and attach with: (1) 3/8 x 1 1/4" hex head bolt, (2) 3/8" flat washer, (1) 3/8" lock washer, (1) 3/8" hex nut. By each hole of bracket. Leave loose.
8. Place the side bar of the brackets and attach in the rear and front part with: (1) 1/2 x 2" hex head bolt, (1) 1/2" flat and lock washers. By each bracket. **Note: In the front part attach the auxiliary bracket and front bracket with the same bolt. Leave loose. See illustration 6.**
9. Align the Side bar to the vehicle and tighten all hardware.
10. Repeat for the other side of vehicle.
11. Fill out the warranty card included and place it inside your vehicle.

PICTURE 1



PICTURE 2



PICTURES 1 AND 2 SHOWN PASSENGER SIDE

ILLUSTRATION 5

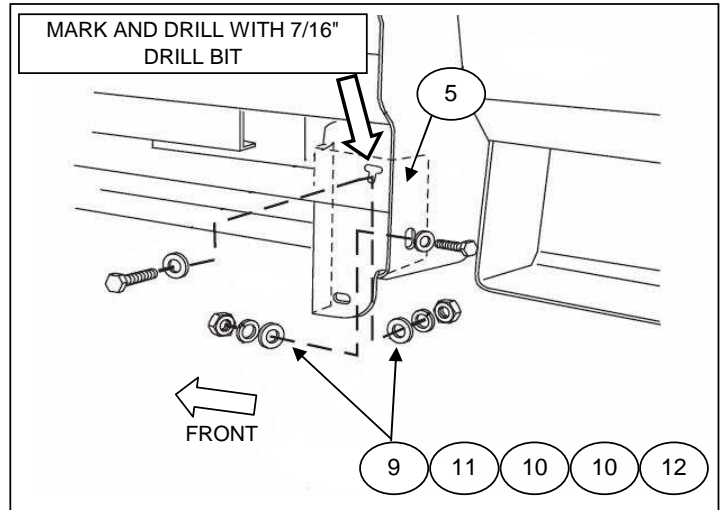


ILLUSTRATION 4

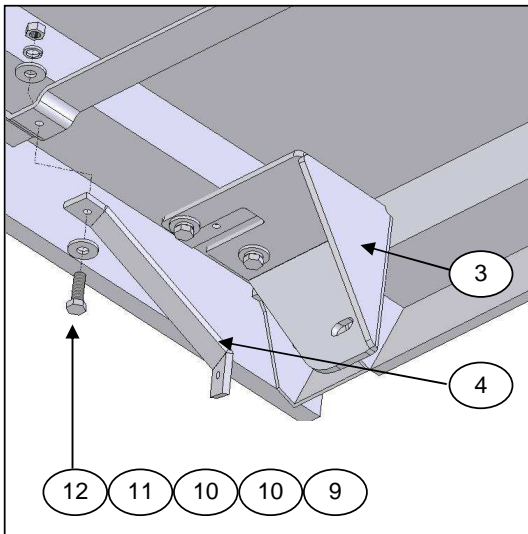
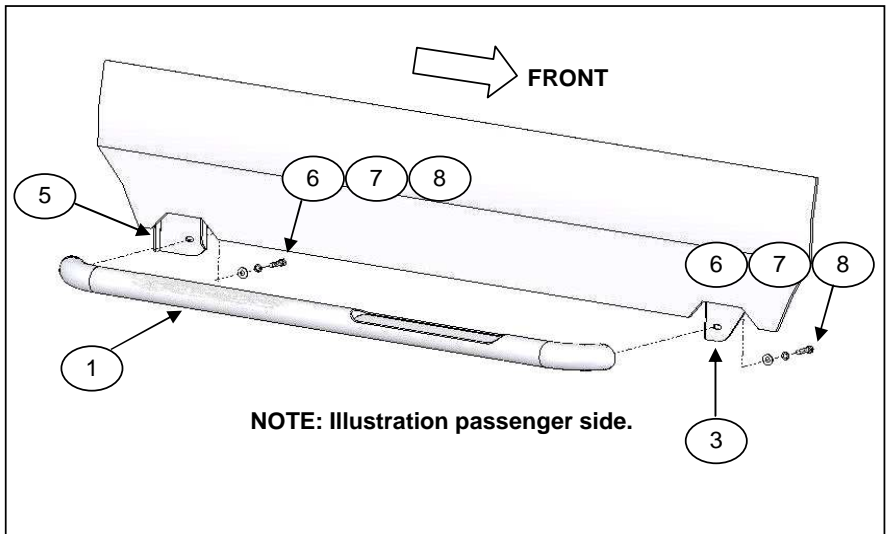


ILLUSTRATION 6



Cleaning and care instructions:

Design :

Quality:

Keep your product clean. Do not use abrasive cleaners or polish. We recommend only non-abrasive automotive wax such as pure carnauba to avoid scratches or rust.