

INSTALLATION INSTRUCTIONS

37017 Sidebar

95 – 99 Chevy Tahoe/Yukon 4 dr.

Parts List:

QTY	(1) Hardware kit including:	
P01 (1) Sidebar set (Driver & Passenger)	T01 (2) 1/2 x 2" Flat head bolt	T06 (2) 1/2" Hex nut
P02 (2) Front mounting bracket	T02 (2) 1/2 x 1 1/2" Hex head bolt	
P03 (2) Rear mounting bracket	T03 (2) 1/2 x 1 1/4" Cut head bolt	
	T04 (6) 1/2" Flat washer	
	T05 (2) 1/2" Lock washer	

Tools required:

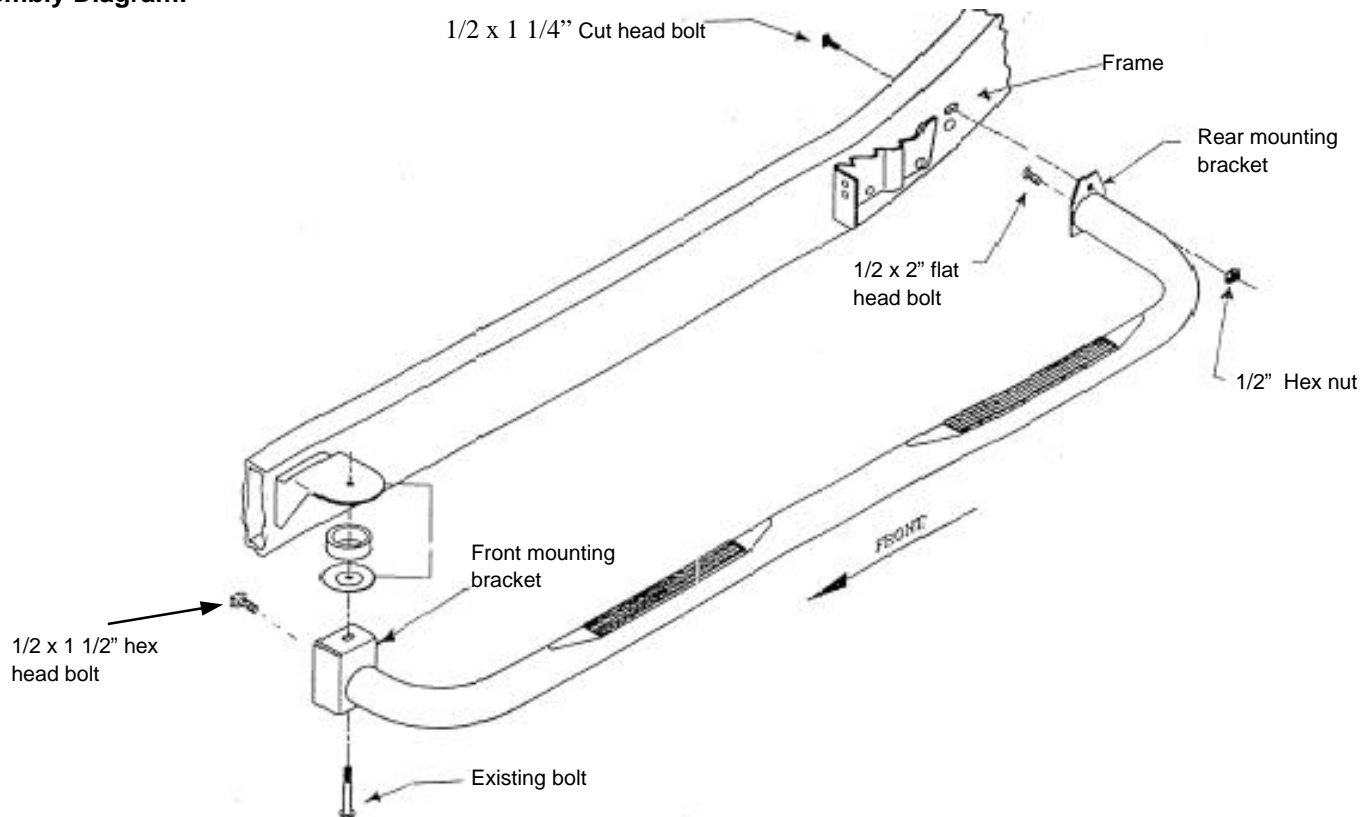
3/4" Socket	Ratchet
3/4" Wrench	18mm Socket

Instructions:

Aproximated installation time: 30 min.

1. Read and understand instructions completely before beginning installation.
2. Sidebar set consist of a driver and passenger side. Be sure to determinate the correct side before installation.
3. Remove the body mounting bolts from mounts located under the cab of the vehicle. Place the front mounting bracket up to the body mounts and bolt using the factory bolts.
4. To install rear mounting bracket. Bolt rear mounting bracket to the sidebar using 1/2 x 2" flat head bolt, then introduce a 1/2 x 1 1/4" cut head bolt into the o-bround hole, turn 1/4 the bolt to secure into the hole. Bolt to the rear mounting bracket using flat washer and 1/2" hex nuts. Note: On the left outboard side of frame, just behind the spring hanger bracket and below the o-bround hole is a plastic clamp base that retains a wiring harness. This clamp mounting base sticks thru the side of the frame and must be removed, once the bracket is placed, re-install the clamp in the place.
5. Place the sidebar up to the front mounting brackets and bolt it using the 1/2 x 1 1/2" hex head bolt, flat and lock washer. Leave loose.
6. Make any final adjustments to the alignment of the sidebar and tighten all bolts. Repeat for the opposite side.
7. You may need to re-tighten the bolts periodically.

Assembly Diagram:



Cleaning and care instructions:

Diseño:

Calidad:

Protect the finish with a non-abrasive automotive wax, (e.g. Pure Carnauba) on a regular basis. The use of any soap, polish, or wax that contains an abrasive is detrimental to the finish, as the compounds scratch the finish and cause corrosion.