

**INSTALLATIONS INSTRUCTIONS**  
**37523 ( 1 - 3 ) SIDE BAR DUALY**  
**DODGE RAM QUAD CAB 8' 02 - 08**

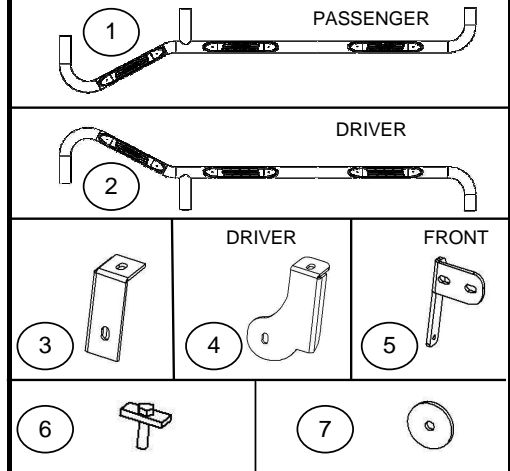
**Parts list:**

ITEM	QTY.	CODE	DESCRIPTION	TORQUE MAX.
1	1	375238AA-8CA	Side Bar passenger side	-
2	1	375238AA-8CA	Side Bar driver side	-
	<b>1</b>	<b>BRK-37723</b>	<b>Brackets kit includes:</b>	-
3	2	376232AA	Front brackets ( Driver & Passenger )	-
4	1	376234AA	Rear brackets set	-
5	2	409861	Auxiliary brackets set	-
6	4	3712410	3/8" bolt plate	30 Lb.Ft
7	4	AST-RP30	Spacer washer	-
	<b>1</b>	<b>KTE-37723</b>	<b>Hardware kit includes:</b>	-
8	4		1/2 x 2" Hex head bolt zinc plated	70 Lb.Ft
9	8		1/2" Flat washer zinc plated	-
10	8		1/2" Lock washer zinc plated	-
11	2		M12 x 120mm Hex head bolt zinc plated	75 Lb.Ft
12	2		M12 x 140mm Hex head bolt zinc plated	75 Lb.Ft
13	4		3/8" Flat washer zinc plated	-
14	4		3/8" Lock washer zinc plated	-
15	4		3/8" Hex nut zinc plated	30 Lb.Ft
16	4		1/4 x 1 1/4" Hex head bolt zinc plated	15 Lb.Ft
17	4		1/4" Flat washer zinc plated	-
18	4		1/4" Lock washer zinc plated	-
19	4		Vinyl gasket	-

**Required Tools (no included)**

DESCRIPTION	QTY.
1/2" Socket / Wrench	1
9/16" Socket / Wrench	1
3/4" Socket / Wrench	1
17mm Socket / Wrench	1
Allen wrench	1
Ratchet	1
Ratchet extension	1

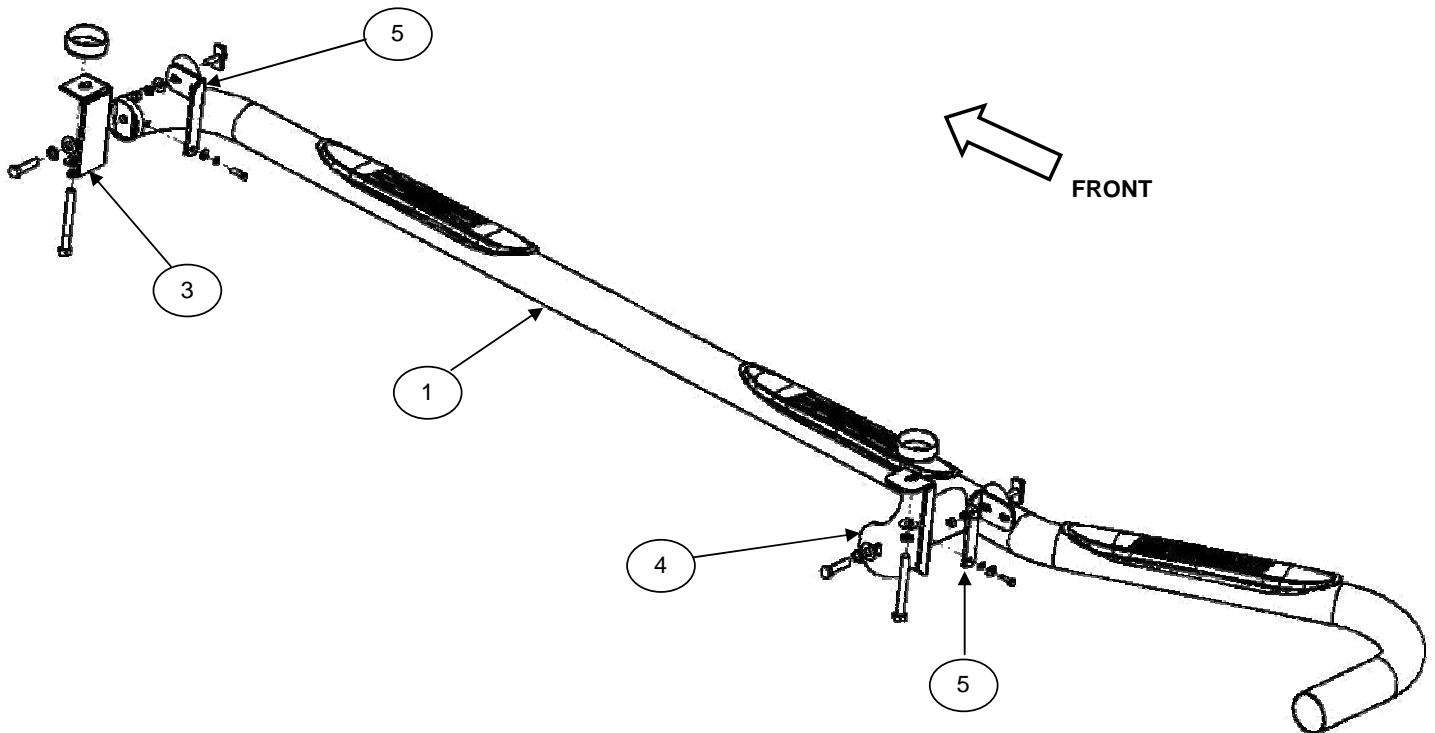
**ILLUSTRATION 1**



Approximate installation time: 40 min.

**Instructions:**

**ILLUSTRATION 2**



**NOTE: Illustration passenger side.**

**Cleaning and care instructions:**

Design :

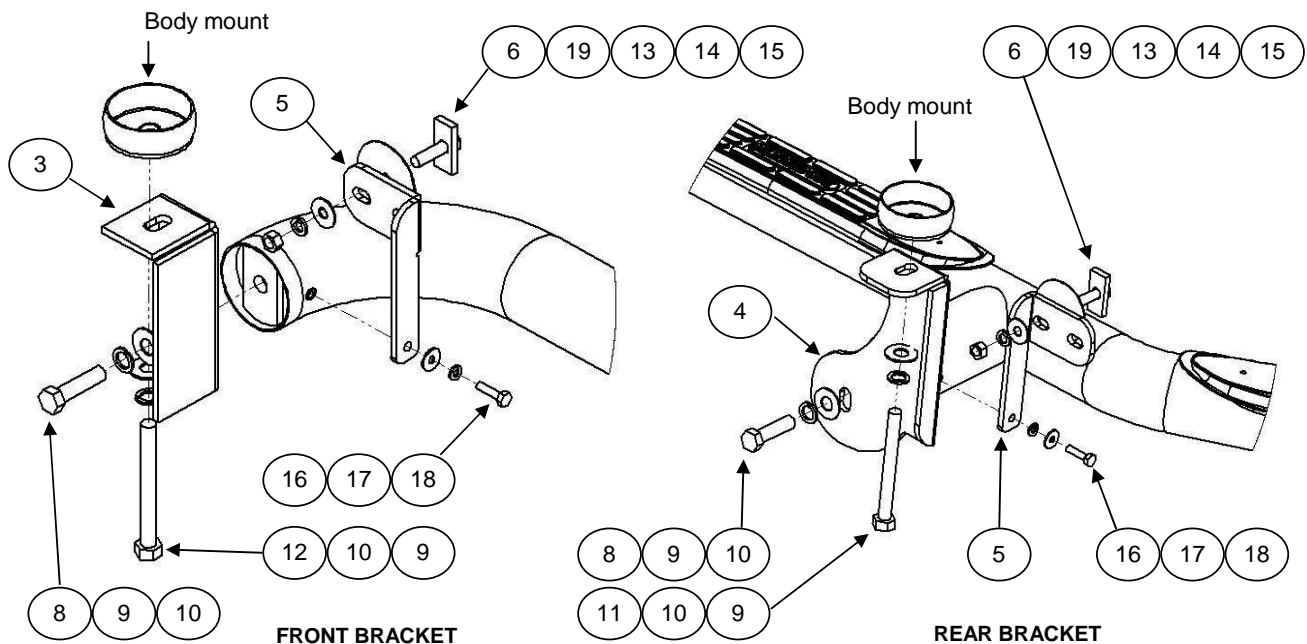
Quality:

Keep your product clean. Do not use abrasive cleaners or polish. We recommend only non-abrasive automotive wax such as pure carnauba to avoid scratches or rust.

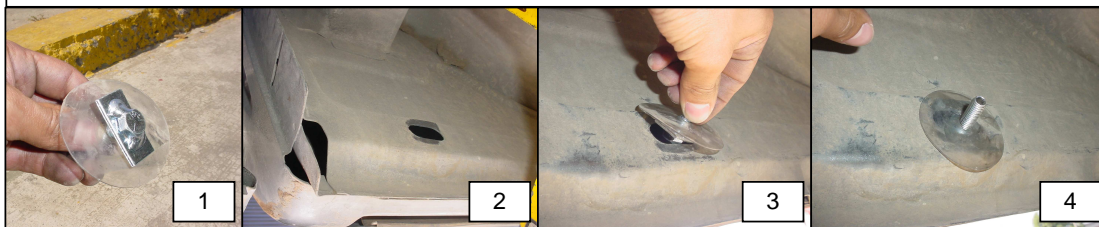
**INSTALLATIONS INSTRUCTIONS**  
**37523 ( 1 - 3 ) SIDE BAR DUALY**  
**DODGE RAM QUAD CAB 8' 02 - 08**

1. Before beginning the installation, please read all directions carefully and verify that all necessary hardware is accounted for. If any parts are missing, stop the installation and contact your distributor immediately.
2. Side Bar set consists of a driver and passenger side. Be sure to determinate the correct side before installation. **See illustration 1.**
3. Locate and remove the supports of the body mount, front and rear part, (once a time). **See illustration 3.**
4. To install the front bracket replaces the OEM bolt with: ( 1 ) M12 x 140mm hex head bolt, ( 1 ) 1/2" flat and lock washer. Leave loose. To install the rear bracket replaces the OEM bolt with: ( 1 ) M12 x 120mm hex head bolt, ( 1 ) 1/2" flat and lock washers. Leave loose. **See illustration 3.** **NOTE: In models 2006 places the spacer washer between the support of the body mount and bracket.**
5. To install the auxiliary brackets, locate and remove the protective tapes of the body mount, front and rear part, insert: ( 1 ) 3/8" bolt plate, ( 1 ) vinyl gasket. **See installation sequence.**  
 Identifies the auxiliary bracket to install ( Front & Rear ) and attach the 3/8" bolt plate with: ( 1 ) 3/8" flat and lock washer, ( 1 ) 3/8" hex nut. By each bracket. Leave loose. **See illustration 3.**
6. Place the Side Bar to the brackets and attach with: ( 1 ) 1/2 x 2" hex head bolt, ( 1 ) 1/2" flat and lock washers. By each bracket. Leave loose. **See illustration 3.**
7. Attach auxiliary brackets to the Side Bar with: ( 1 ) 1/4 x 1 1/4" hex head bolt, ( 1 ) 1/4" flat and lock washer. By each bracket. Leave loose. **See illustration 3.**
8. Align the sidebar to the vehicle and tighten all hardware. Repeats all the described steps previously to install the opposite side.
9. Repeat for the other side of vehicle.
10. Fill out the warranty card included and place it inside your vehicle.

**ILLUSTRATION 3**



**INSTALLATION SEQUENCE TO 3/8" BOLT PLATE.**



**Cleaning and care instructions:**

Design :

Quality:

Keep your product clean. Do not use abrasive cleaners or polish. We recommend only non-abrasive automotive wax such as pure carnauba to avoid scratches or rust.