

**Installation instructions**  
**KING RANCH GRILLE GUARD 14295T**  
**FORD F-150 2015**

**Do not attempt to install this product on any vehicle other than the one it is designed for and listed above!**

PARTS LIST				
Item	QTY	Code	Description	Max Torque
1	1 pcs	72433550AA	Grille guard assembly	
2	1 Set	504334BA	Main brackets set	
3	2 pcs	504334AA	Auxiliary bracket	
4	4 pcs		1/2 x 1 1/2" hex head bolt	70 Lb. Ft.
5	8 pcs		1/2" flat washer	
6	8 pcs		1/2" lock washer	
7	8 pcs		1/2" nut	70 Lb. Ft.
8	2pcs		3/8 x 1 1/4" hex head bolt	30 Lb. Ft.
9	2 pcs		3/8" flat washer	
10	2 pcs		3/8" lock washer	
11	2 pcs		3/8" nut	30 Lb. Ft.
12	4 pcs		1/2 x 1 1/2" tab bolts	70 Lb. Ft.
13	1 pcs		1/2" bolt guide wire	

**Required Tool:**

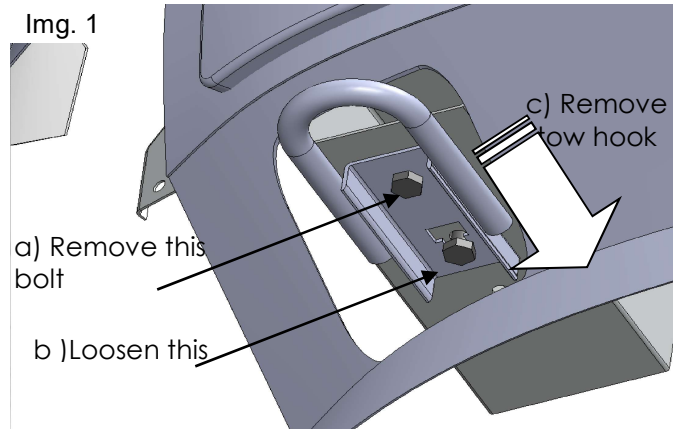
- A. Ratchet with 5" extension
- B. 9/16" Wrench or Socket
- C. 3/4" Wrench & socket
- D. 21 mm Socket
- E. 1/2" Wrench or socket
- F. Flat screwdriver
- G. Utility knife

1. Before beginning the installation read all instructions thoroughly and verify that all hardware is accounted for. if there are any listed parts missing, please notify your distributor immediately.

2. To maintain and care this product keep it clean and do not use abrasive cleaners or polish waxes. It is recommended to use only non-abrasive automotive wax such as pure carnauba to avoid scratches and rust.

3. The approximate installation time is **45 min.**

4. If the vehicle has tow hooks remove the plastic cap that covers the gap See **Img. 1**. If vehicle **does not have** tow hooks follow step 6.



5. **Place lower bracket over** the exposed tow hook bolt and re-install the tow hook over the grille guard bracket. **Re-install** using the original equipment bolts removed in step 2. **Img. 2**. Leave loose. **Follow step 8**.

**PHOTO 1**

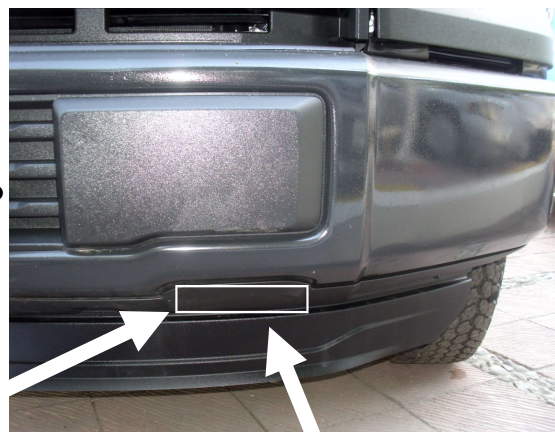


6. If the vehicle **does not have** tow hooks, use the template, (printed at the end) as a guide to modify the lower valance. **NOTE:** Before proceeding with the valance modification, make sure that the supplied paper template has the dimensions clearly printed and check them out. **PROFESSIONAL INSTALLATION RECOMMENDED.**

**PHOTO 2**

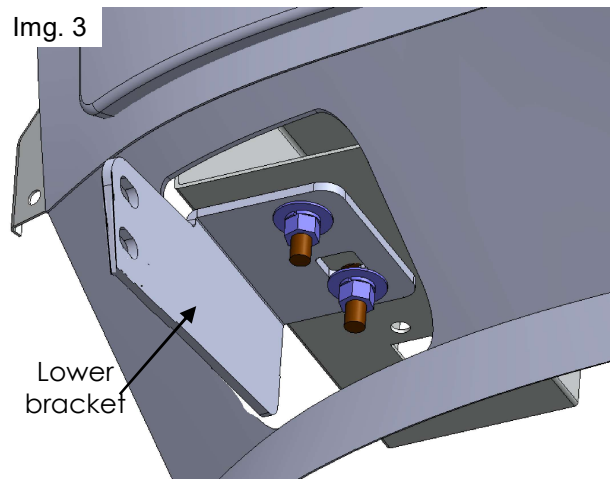
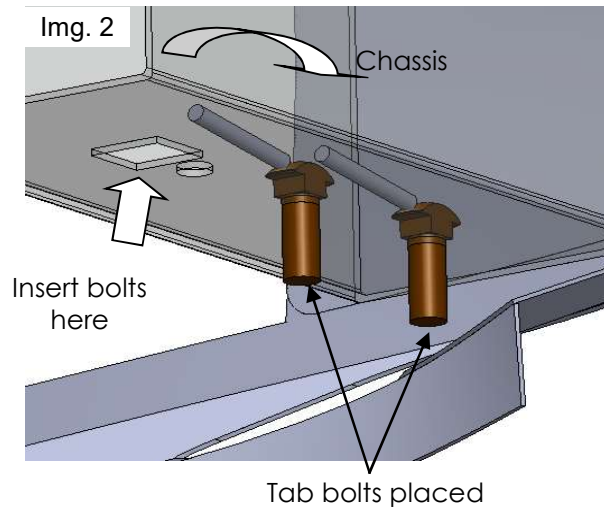
7. Align paper template to the edges shown at **Photo 3**, mark area to cut out and proceed. Repeat for opposite side, review symmetry.

Paper template



Cut out

8. Once openings were made, **place tab bolts** into the frame holes as shown at **Img. 2**. Use the wire guide to place tab bolts.
9. Place lower bracket on the bottom frame surface, fasten using 1/2" flat and lock washers and hex



10. Remove the plastic bumper valance and locate the outer OEM nut. Remove it and position the auxiliary bracket and fix it see. Photo 3 and 4

**PHOTO 3**

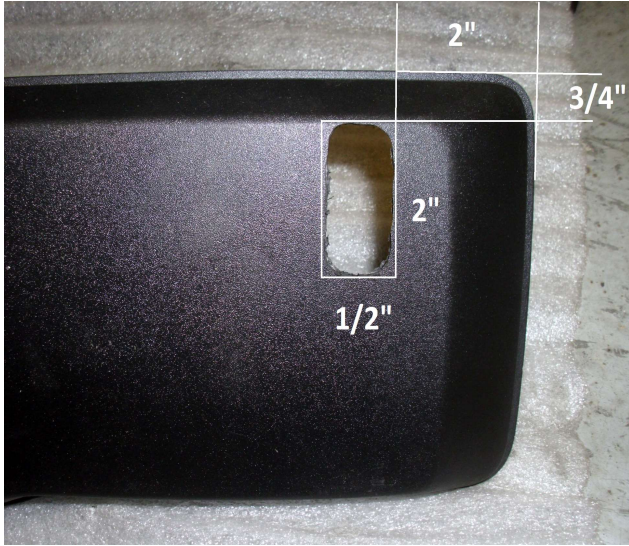


**PHOTO 4**



11. After installing the auxiliary bracket cut the plastic front part of the. Bumper valance to allow the proper position. Tighten the nut before putting the bumper valance back. Photo 5 and 6

**PHOTO 5**

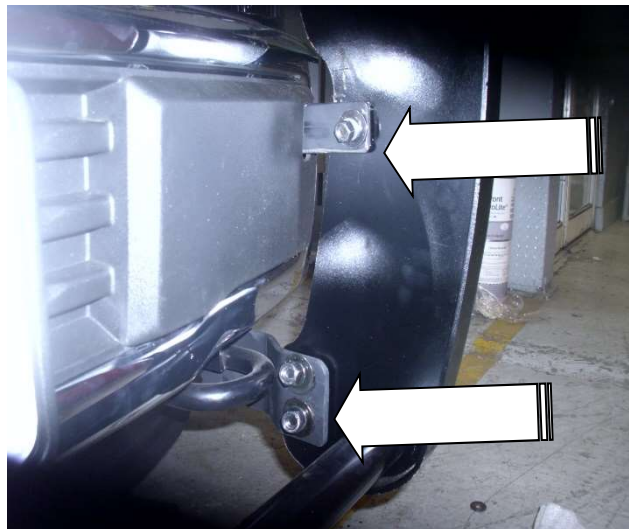


**PHOTO 6**



12. Place Front grille guard as **Photo 7**, to secure lower bracket use 1/2 x 1 1/2" hex bolt, 1/2" flat washer and 1/2" lock nut. Secure to auxiliary bracket using 3/8 x 1 1/4" hex bolt, 3/8" flat washer and 3/8" lock nut. Leave loose.

**PHOTO 7**





13. Align the grille guard assembly with the front of the vehicle and tighten all assembly and installation nuts and bolts. PHOTO # 8
14. Periodically it may be needed to re-tighten the bolts.
15. Fill the warranty card and place it inside your vehicle's glove box.

**PHOTO 8**

