

INSTALLATIONS INSTRUCTIONS
37432 SIDE BAR
FORD P. U. SUPER DUTY F-250 (HD) \ F-350 \ F-450 \ F-550 4 dr. 2 & 4 x 4
SUPER CAB (LONG BED) 99 - 09

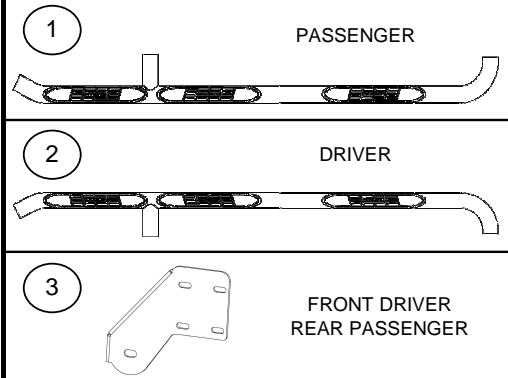
Parts list:

ITEM	QTY.	CODE	DESCRIPTION	TORQUE MAX.
1	1	374328AA-8CA	Side Bar front set	-
2	1	374328AA-8CA	Side Bar rear set	-
	1	BRK-37730	Brackets kit includes:	-
3	2	376304AA	Main brackets front and rear	-
	1	KTE-37730	Hardware kit includes:	-
4	16	-	3/8 x 1 1/4" Hex head bolt black plated	30 Lb.Ft
5	24	-	3/8" Flat washer black plated	-
6	8	-	3/8" Lock washer black plated	-
7	8	-	3/8" Lock nut black plated	30 Lb.Ft
8	8	-	3/8" Clip nut	30 Lb.Ft
9	4	-	1/2 x 2" Hex head bolt zinc plated	70 Lb.Ft
10	4	-	1/2" Flat washer zinc plated	-
11	4	-	1/2" Lock washer black plated	-

Required Tools (no included)

DESCRIPTION	QTY.
9/16" Socket / Wrench	1
3/4" Socket / Wrench	1
Allen wrench	1
Ratchet	1
Ratchet extension	1

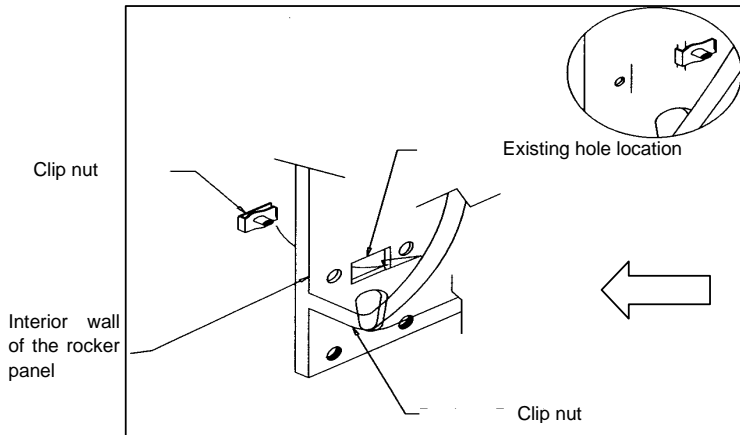
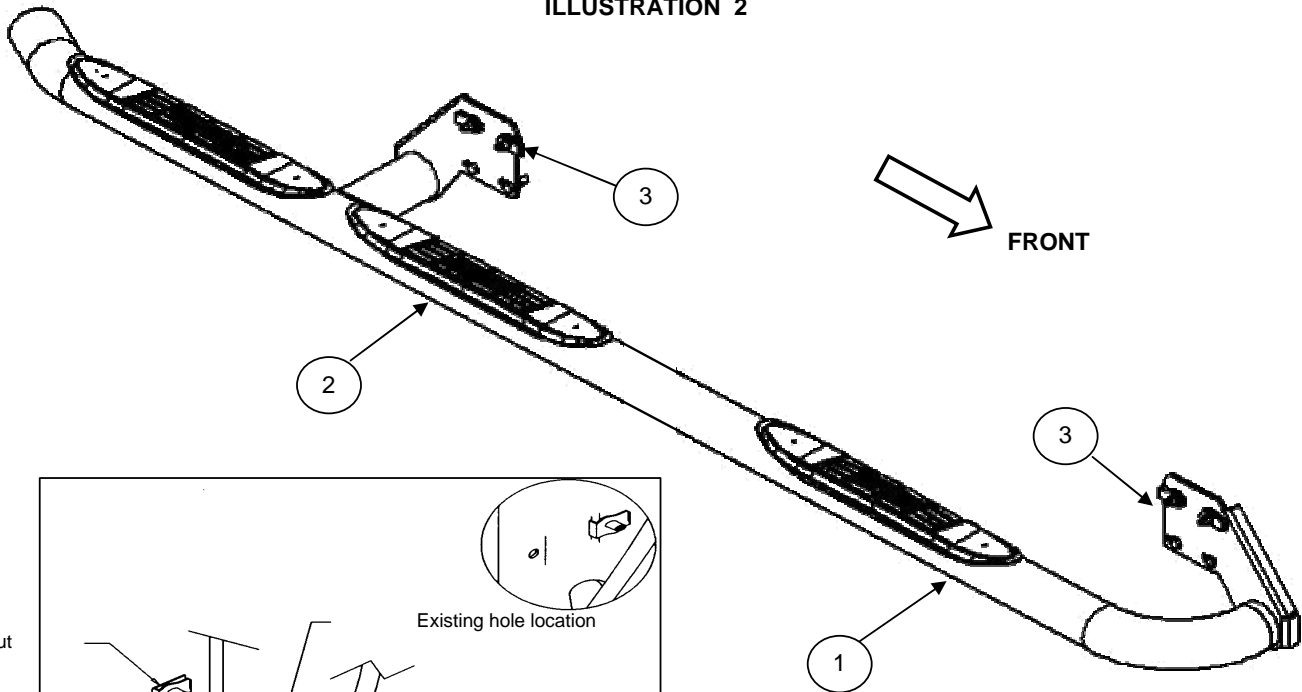
ILLUSTRATION 1



Approximate installation time: 40 min.

Instructions:

ILLUSTRATION 2



Position in Rocker panel to install brackets.

NOTE: Illustration passenger side.

Cleaning and care instructions:

Design :

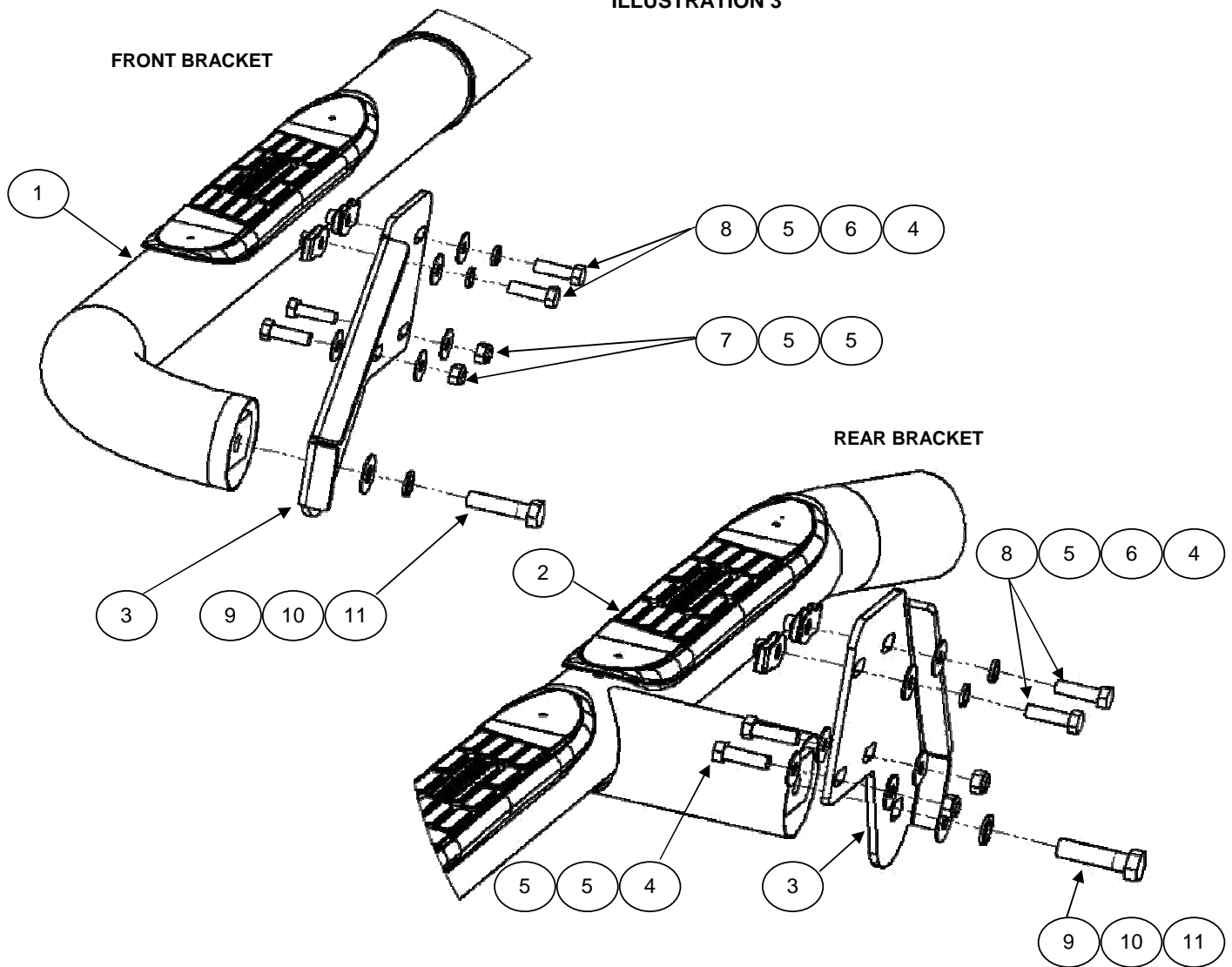
Quality:

Keep your product clean. Do not use abrasive cleaners or polish. We recommend only non-abrasive automotive wax such as pure carnauba to avoid scratches or rust.

INSTALLATIONS INSTRUCTIONS
37432 SIDE BAR
FORD P. U. SUPER DUTY F-250 (HD) \ F-350 \ F-450 \ F-550 4 dr. 2 & 4 x 4
SUPER CAB (LONG BED) 99 - 09

1. Before beginning the installation, please read all directions carefully and verify that all necessary hardware is accounted for. If any parts are missing, stop the installation and contact your distributor immediately.
2. Nerfstep set consists of a driver and passenger side. Be sure to determinate the correct side before installation. **See illustration 1.**
3. Insert the clip nut in the upper hole of the rocker panel. **See illustration 2.**
4. Place bracket front shown in illustration 2. Attach the clip nut with: (2) 3/8 x 1 1/4" hex head bolt, (2) 3/8" flat and lock washer. Attach the rocker panel with: (2) 3/8 x 1 1/4" hex head bolt, (4) 3/8" flat washer, (2) 3/8" lock nut. Leave loose. **See illustration 3.**
5. Install the rear bracket of the same form that front bracket. See illustration 3.
6. Place the Side Bar to brackets and attach with: (1) 1/2 x 2" hex head bolts, (1) 1/2" flat and lock washers. By each side. Leave loose. **See illustration 3.**
7. Align the sidebar to the vehicle and tighten all hardware.
8. Repeat for the other side of vehicle.
9. Fill out the warranty card included and place it inside your vehicle.

ILLUSTRATION 3



NOTE: Illustration passenger side.

Cleaning and care instructions:

Design :

Quality:

Keep your product clean. Do not use abrasive cleaners or polish. We recommend only non-abrasive automotive wax such as pure carnauba to avoid scratches or rust.