

INSTALATION INSTRUCTIONS

BUICK ENCLAVE / CHEVROLET TRAVERSE / GMC ACADIA
2008 - 2012

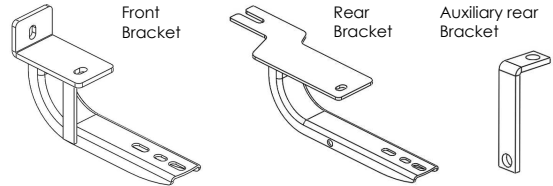
BRACKET

391715

Parts List				
Item	QTY	Code	Description	Max Torque
1	2 pcs	3911710AA	Front Bracket	
2	1 set	3911710BA	Rear Bracket	
3	2 pcs	3911712BA	Auxiliary rear bracket	
4	4 pcs		3/8" small bolt plate	
5	2 pcs		3/8" large bolt plate	
6	2 pcs		3/8" round bar bolt	
7	2 pcs		5/16 x 1" hex bolt	
8	8 pcs		3/8" flat washer	
9	8 pcs		3/8" lock washer	
10	8 pcs		3/8" hex nut	36 Lbs Ft
11	8 pcs		5/16" square head	13 Lbs Ft
12	10 pcs		5/16" flat washer	
13	10 pcs		5/16" lock washer	
14	2 pcs		5/16" hex nut	13 Lbs Ft
15	1 pcs		3/8" bolt guide	
16	2 pcs		Vinyl gasket	

Required Tool:

- A. Ratchet w/5" extension
- B. 9/16" Wrench & Socket
- C. 1/2" socket
- D. 15mm wrench or 17mm 12-point socket



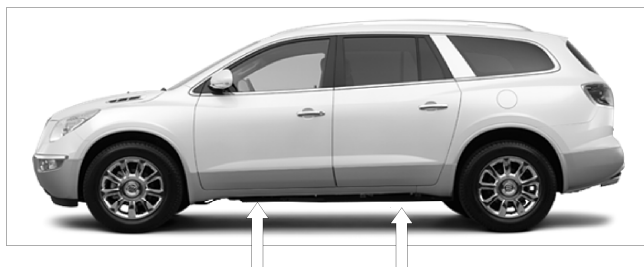
1. Before beginning the installation read all instructions thoroughly and verify that all hardware is accounted for. if there are any listed parts missing, please notify your distributor immediately.

2. To maintain and care this product keep it clean and do not use abrasive cleaners or polish waxes. It is recommended to use only non-abrasive automotive wax such as pure carnauba to avoid scratches and rust.

3. The approximate installation time is **45 min.**

4.- Beginning with the driver side. Locate underneath the vehicle at front and rear of the rocker panel the bracket's fixation points. Picture 1.

Picture 1



5. To install front bracket thread (1) 3/8" round bar bolt in the 3/8" guide bolt; then insert the point of the guide through the bottom hole of the rocker panel until point appears through the side hole of the rocker panel. Place a vinyl gasket to the bolt to prevent round bar bolt from falling into the rocker panel. See Picture 2 y 3. **NOTE:** Some models may have the rocker panel isolated, assist by a screwdriver to remove the isolation material and allow the round bar bolt pass through it.

Picture 2



Picture 3



6. Insert (1) 3/8" small bolt plate into the bottom hole of the rocker panel. Place the front bracket and secure to the 3/8" bolt plates using (1) 3/8" flat washer, (1) 3/8" lock washer and (1) 3/8" hex nut by each bolt. Leave loose. Picture 4.

7. To install rear bracket, locate existing hole and obround as shown in Picture 5. Insert (1) 3/8" large bolt plate into the obround and (1) 3/8" small bolt plate into the hole. Place the rear bracket and secure to the bolt plate located in the obround with (1) 3/8" flat washer, (1) 3/8" lock washer and (1) 3/8" hex nut. Picture 6. Do not tighten yet.

Picture 4



Picture 5



8. Secure rear bracket and auxiliary rear bracket to the small bolt plate located in the hole using (1) 3/8" flat washer, (1) 3/8" lock washer and (1) 3/8" hex nut. Do not tighten yet. Picture 7.

9. Secure auxiliary rear bracket to the rear bracket with (1) 5/16" x 1" hex bolt, (1) 5/16" flat and lock washers, and (1) 5/16" hex nut. Picture 7.

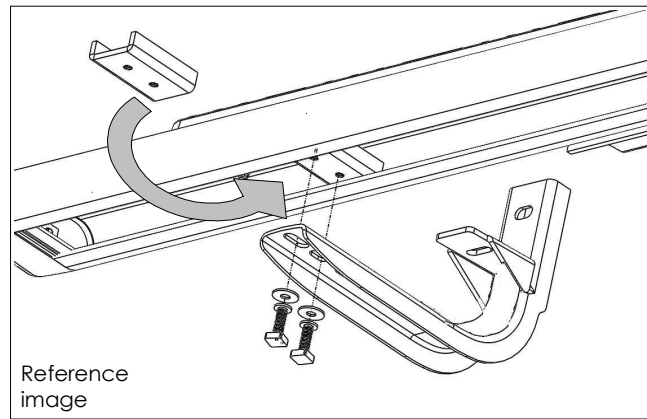
Picture 6



Picture 7



10. Place the driver side widesider on top of the mounting brackets. Position (2) of the U-brackets (included with the widesider) inside the widesider body, and align the U-brackets with the mounting brackets using the two holes nearest to the tip. Attach the widesider to the U-brackets to each mounting brackets using (2) 5/16" square head bolts, (2) 5/16" flat washers and (2) 5/16" lock washers.



11. Align the widesider with the vehicle and tighten the mounting brackets and square bolts. Repeat the installation steps to install the passenger side brackets and widesider. Remember to periodically check and retighten all nuts and bolts.

