

# INSTALLATION INSTRUCTIONS

37127

04 - 09 Dodge Durango

## Parts List :

### QTY

- ( 1 ) Sidebar set  
( Driver & Passenger )
- ( 2 ) Front mounting bracket
- ( 2 ) Rear mounting bracket

( 1 ) Hardware kit including :

- ( 4 ) 1/2 x 2" hex head bolt
- ( 8 ) 1/2" Flat washer
- ( 8 ) 1/2" Lock washer
- ( 4 ) M12 x 120mm hex head bolt

## Tools Required :

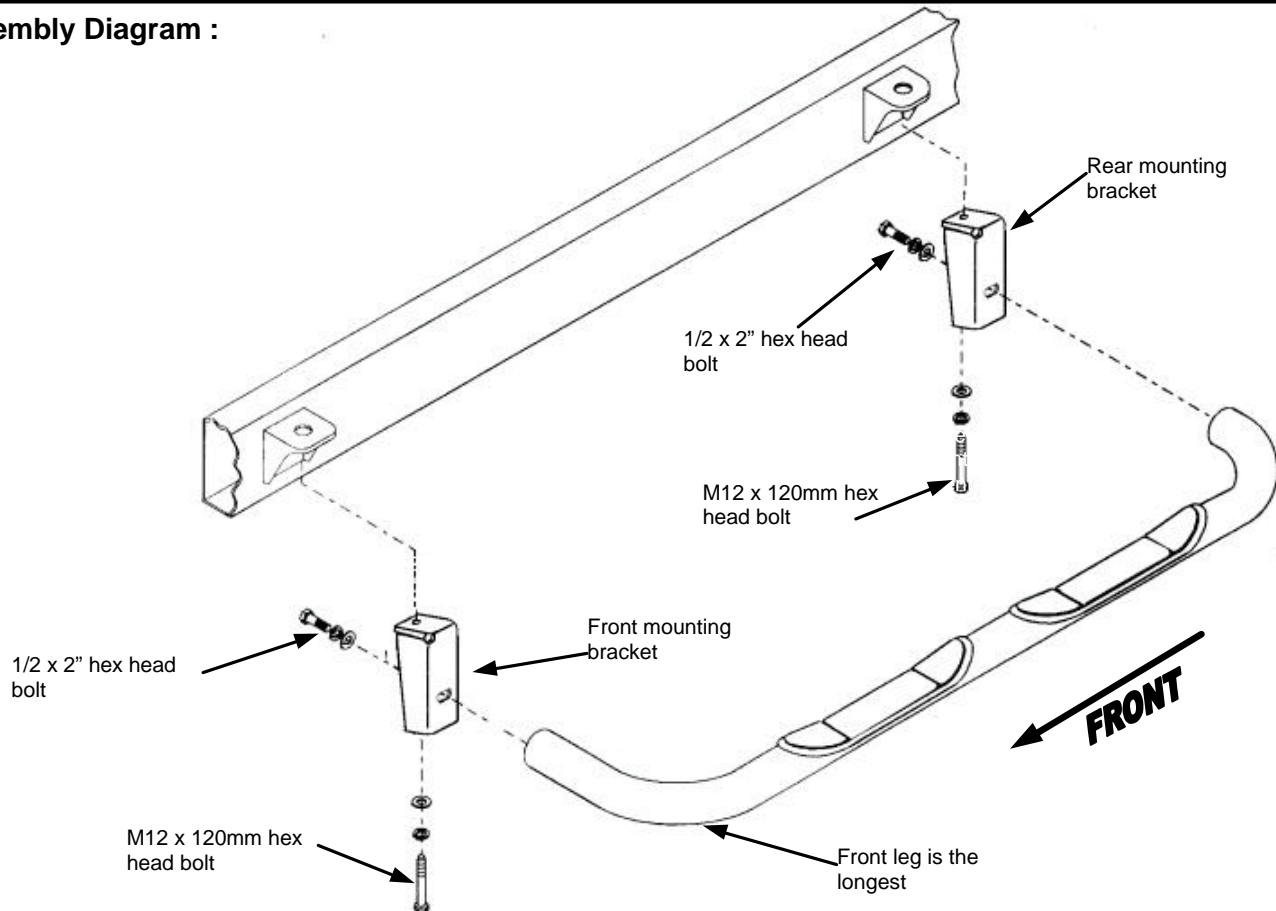
- 3/4" Socket
- 18mm Socket
- Ratchet
- 19mm Socket

## Instructions :

Approximated installation time: 25 min.

1. Read and understand instructions completely before beginning installation.
2. Sidebar set consist of a driver and passenger side. The longest leg is the front leg. Be sure to determinate the correct side before installation. **Note:** The smallest mounting bracket is front mounting bracket.
3. Remove the four applicable body mounting bolts from the vehicle. These bolts are not reused in this installation. The body steel washer plates and rubber cushions are reused between the body mount and the mounting bracket.
4. Place the front and rear mounting brackets onto the body mount and re-attach using M12 x 120mm hex head bolt, and 1/2" flat and lock washers. Do not tighten at this time.
5. Place the sidebar up to the mounting brackets. Bolt front/rear mounting brackets using 1/2 x 2" hex head bolt, flat and lock washers. Leave loose.
6. Make any final adjustments to the alignment of the sidebar and tighten all bolts. Repeat for the opposite side.
7. You may need to periodically re-tighten the bolts.

## Assembly Diagram :



## Cleaning and care instructions :

Protect the finish with a non-abrasive automotive wax, (e.g. Pure Carnauba) on a regular basis. The use of any soap, polish, or wax that contains an abrasive is detrimental to the finish, as the compounds scratch the finish and cause corrosion.