

INSTALLATION INSTRUCTIONS

37376 SIDE BAR

SILVERADO/SIERRA (1500, 2500 HD) 3500 SERIES EXT. CAB 6' 99 - 09

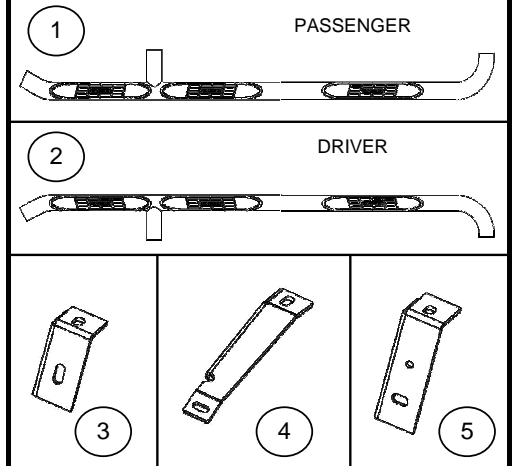
Parts list:

ITEM	QTY.	CODE	DESCRIPTION	TORQUE MAX.
1	1	373768AA-8CA	Side Bar front passenger	-
2	1	373768AA-8CA	Side Bar rear driver	-
	1	BRK-37776	Brackets kit includes:	-
3	2	376012AA	Front bracket (driver & passenger)	-
4	2	370772AA	Middle bracket (driver & passenger)	-
5	1	376762AA	Rear bracket set (driver & passenger)	-
	1	KTE-37701	Hardware kit includes:	-
6	2	-	3/8 x 8 1/4" all threaded stud zinc plated	30 Lb.Ft
7	2	-	3/8 x 1 1/4" Hex head bolt zinc plated	30 Lb.Ft
8	8	-	3/8" Flat washer zinc plated	-
9	6	-	3/8" Lock washer zinc plated	-
10	2	-	3/8" Lock nut zinc plated	30 Lb.Ft
11	4	-	3/8" Nut zinc plated	30 Lb.Ft
12	2	-	Rubber bushing	-
13	4	-	1/2 x 2" Hex head bolt zinc plated	70 Lb.Ft
14	10	-	1/2" Flat washer zinc plated	-
15	10	-	1/2" Lock washer zinc plated	-
16	6	-	M12 x 120mm Hex head bolt zinc plated	65 Lb.Ft

Required Tools (no included)

DESCRIPTION	QTY.
9/16" Socket / Wrench	1
3/4" Socket / Wrench	1
21mm Socket / Wrench	1
Allen wrench 7/32"	1
Extension	1
Ratchet	1

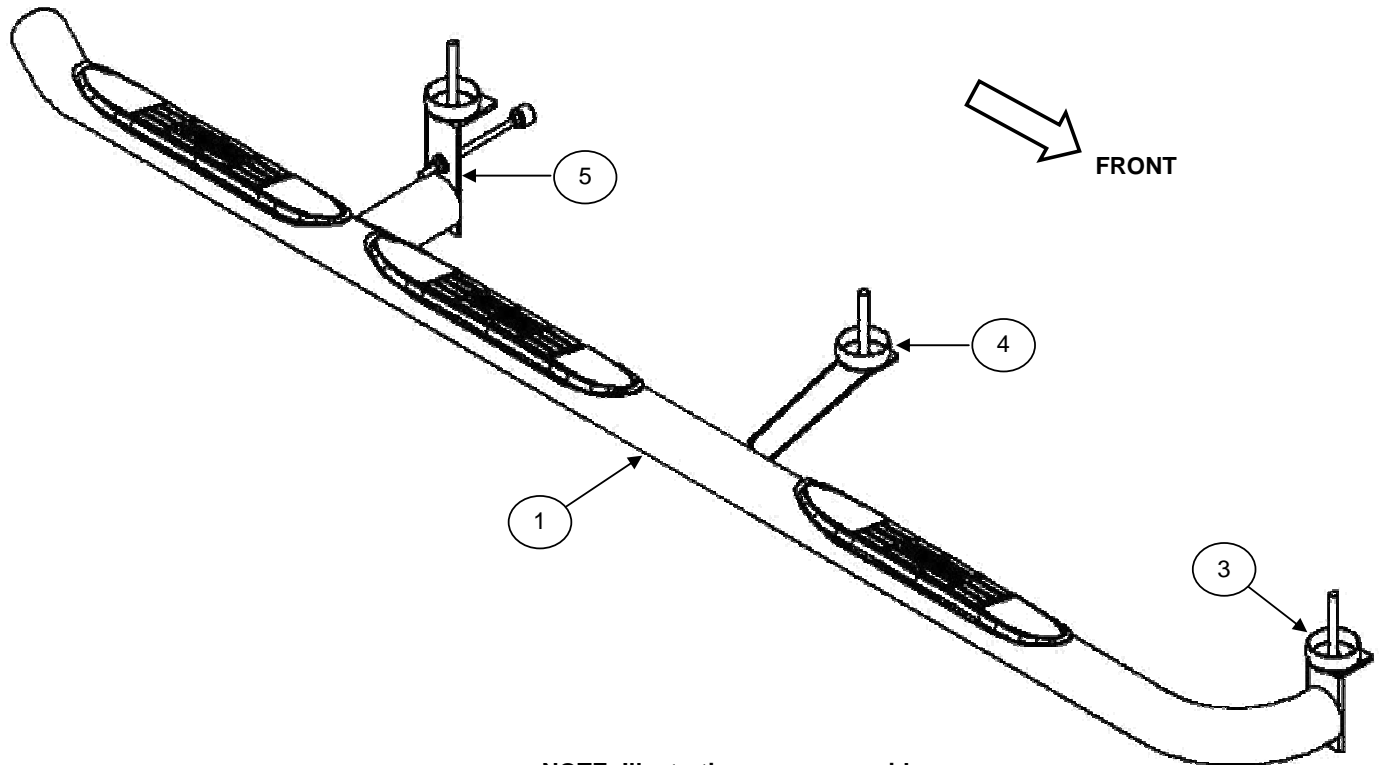
ILLUSTRATION 1



Approximate installation time: 40 min.

Instructions:

ILLUSTRATION 2



NOTE: Illustration passenger side.

Cleaning and care instructions:

Design :

Quality:

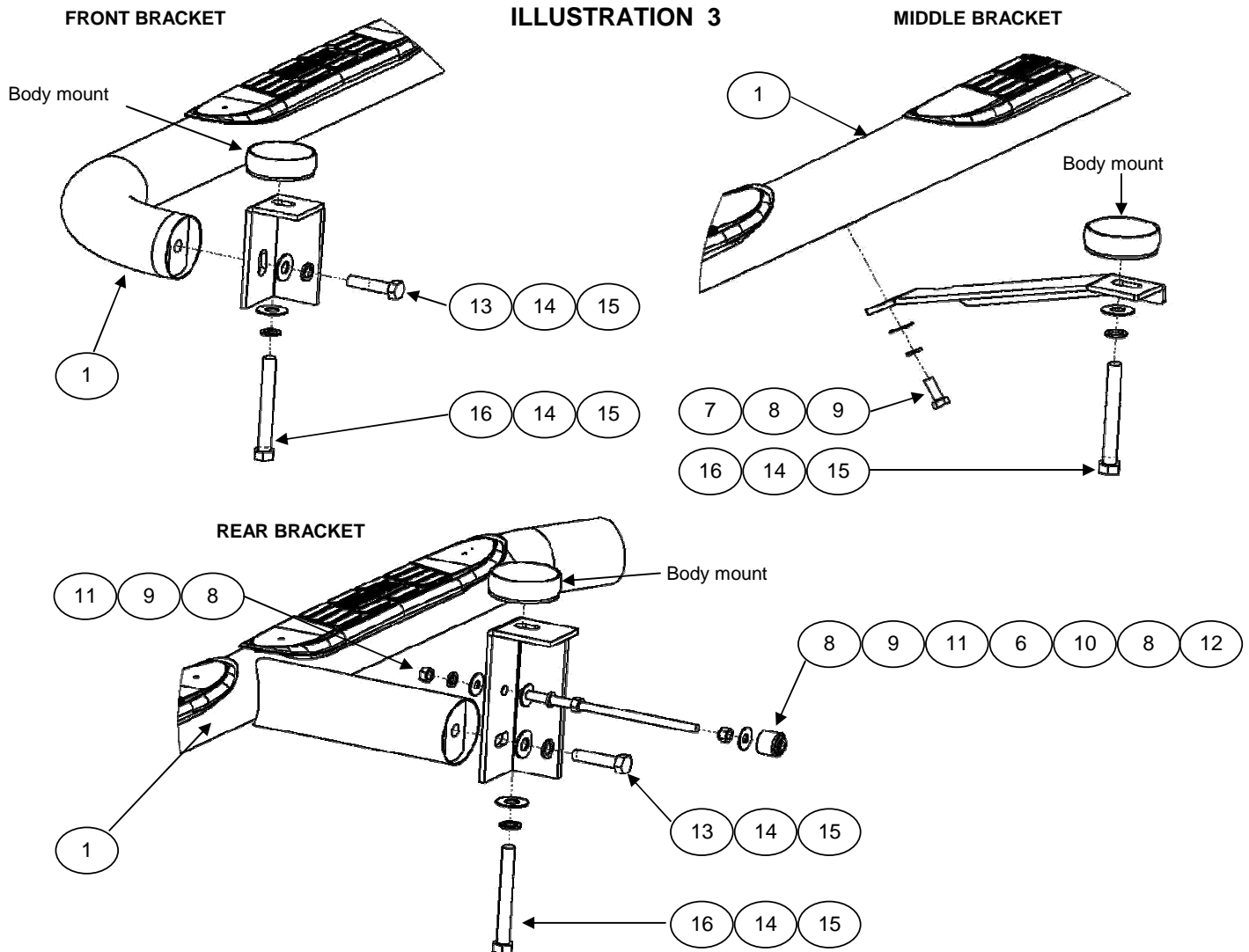
Keep your product clean. Do not use abrasive cleaners or polish. We recommend only non-abrasive automotive wax such as pure carnauba to avoid scratches or rust.

INSTALLATION INSTRUCTIONS

37376 SIDE BAR

SILVERADO/SIERRA (1500, 2500 HD) 3500 SERIES EXT. CAB 6' 99 - 09

1. Before beginning the installation, please read all directions carefully and verify that all necessary hardware is accounted for. If any parts are missing, stop the installation and contact your distributor immediately.
2. Side bar set consists of a driver and passenger side. Make sure to determine the correct side before installation. **See illustration 2.**
3. Locate and remove the supports of the body mount, front, middle and rear part, (once a time). **See illustration 3.**
4. Place the front bracket see illustration 3. Attach with bolts previously before removed. NOTE: If the bolts before removed are short, attach with: (1) M12 x 120mm hex head bolts, (1) 1/2" flat and lock. By each bracket. Leave loose. **See illustration 3.**
5. Install the rear and middle bracket of the same form that front bracket. **See illustration 3.** In the rear bracket aligns the all threaded stud as one is in illustration 3, make sure that aligns on the frame.
6. Place the side bar on the brackets and attach the front and rear part with: (1) 1/2 x 2" hex head bolt, (1) 1/2" flat and lock washers. By each bracket. Leave loose. **See illustration 3.**
7. Attach the side bar on middle bracket with: (1) 3/8 x 1 1/4" hex head bolt, (1) 3/8" flat and lock washers. Leave loose. **See illustration 3.**
8. Align the side bar to the vehicle and tighten all hardware.
9. Repeat for the other side of vehicle.
10. Fill out the warranty card included and place it inside your vehicle.



Cleaning and care instructions:

Design :

Quality:

Keep your product clean. Do not use abrasive cleaners or polish. We recommend only non-abrasive automotive wax such as pure carnauba to avoid scratches or rust.