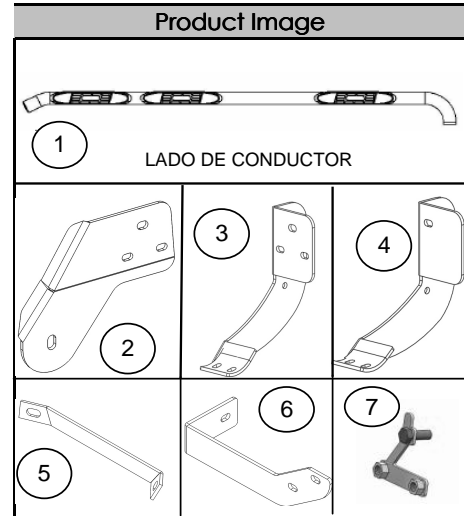


# SIDEBAR 37305 (1-4)

## INSTALLATION INSTRUCTIONS 2010 Dodge Ram 2500HD/3500 HD Mega Cab 6.4' Bed

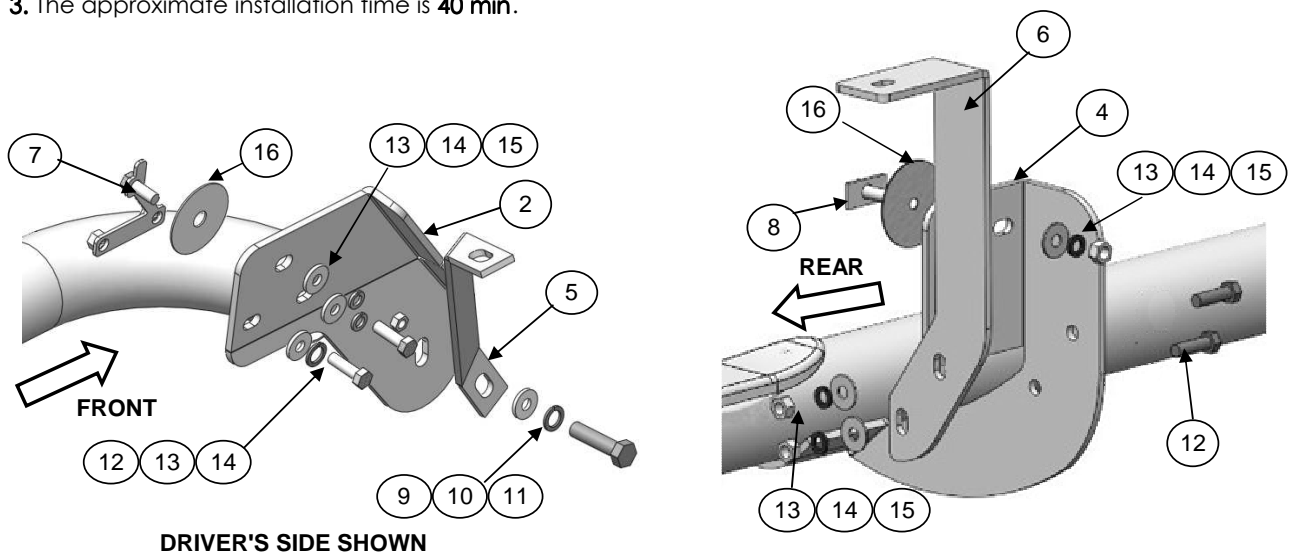
Parts List				
Item	Qty.	Code	Description	Max. Torque
1	1		Side bar set	
	1	<b>BRK-37605</b>	<b>Brackets kit includes:</b>	
2	1		Front mounting brackets set	
3	1		Middle mounting brackets set	
4	1		Rear mounting brackets set	
5	1		Front auxiliary mounting brackets s	
6	1		Rear auxiliary mounting brackets set	
7	4		"T" Plate	30 Lb. Ft
8	6		3/8" "T" Bolt	30 Lb. Ft
	1	<b>KTE-37605</b>	<b>Hardware kit includes:</b>	
9	2		1/2 x 2" Hex head bolt zinc plated	75 Lb. Ft
10	2		1/2" Flat washer zinc plated	
11	2		1/2" Lock washer zinc plated	
12	20		3/8 x 1 1/4" hex head bolt zinc plated	30 Lb. Ft
13	30		3/8" lock washer zinc plated	
14	30		3/8" flat washer zinc plated	
15	14		3/8" hex nut zinc plated	30 Lb. Ft
16	10		Vynil gaskets	

Required Tools (Not included)	
Qty.	Description
1	9/16" Socket / wrench
1	3/4" Socket / wrench
1	Ratchet
1	Ratchet extension
1	3/16" Allen wrench



### Instructions

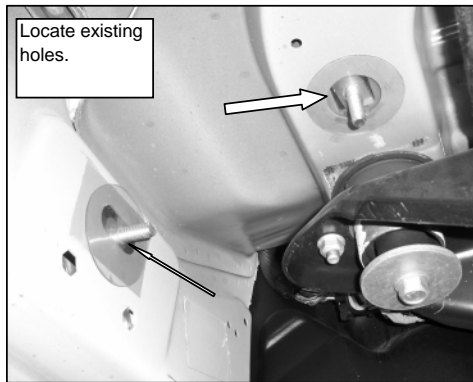
1. Before beginning the installation, please read all directions carefully and verify that all necessary hardware is accounted for. If any parts are missing, stop the installation and contact your distributor immediately.
2. To maintain and care this product keep it clean and do not use abrasive cleaners or polish waxes. We recommend to use only non-abrasive automotive wax such as pure carnauba to avoid scratches and rust.
3. The approximate installation time is **40 min.**



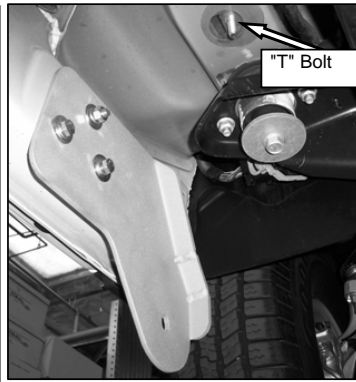
4. To install front and middle mounting brackets locate in the rocker panel the holes covered in tape and remove the tape. Place (1) vinyl gasket to the bolt of the "T" plate then insert into the exposed hole. **See picture 1.** **NOTE:** It is important to place vinyl gaskets to the bolts to prevent the "T" plate from falling into the rocker panel.

- Place (1) front mounting bracket attach to the bolt of "T" plate previously placed using: (1) 3/8" flat and lock washers and 3/8" hex nut. Secure to the nuts of "T" plate using (2) 3/8 x 1 1/4" hex head bolt, (2) 3/8" flat and lock washers. See Picture 2. Leave loose. Repeat the procedure to install middle mounting bracket.
- To install auxiliary front mounting bracket, locate existing hole underside of the body then place (1) 3/8" "T" bolt with a vinyl gasket. Place auxiliary front mounting bracket and secure using (1) 3/8" flat and lock washers and (1) 3/8" hex nut. **See picture 3.** Leave loose.

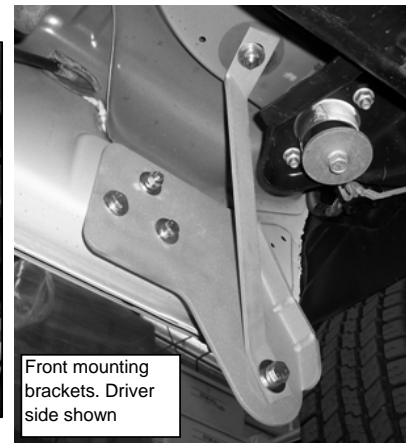
**PICTURE 1**



**PICTURE 2**



**PICTURE 3**

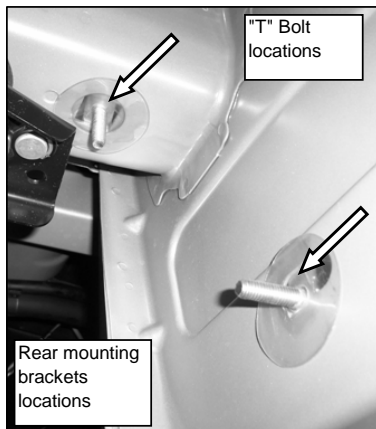


- Locate at rear in the rocker panel the hole covered in tape and remove the tape. Introduce (1) 3/8" "T" bolt with a vinyl gasket into the exposed hole. Picture 4. Place rear mounting bracket and secure using (1) 3/8" flat and lock washers and 3/8" hex nut. Leave loose.

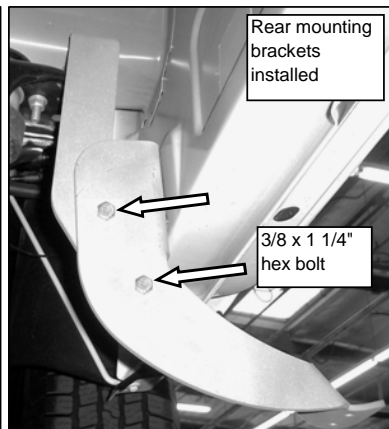
- To install auxiliary rear mounting bracket, locate existing square hole in the underside of the body See Picture 4. Introduce (1) 3/8" "T" bolt with a vinyl gasket then place rear auxiliary mounting bracket and secure to the bolt previously placed using (1) 3/8" flat and lock washers and 3/8" hex nut. Secure the other end to the rear mounting bracket using (2) 3/8 x 1 1/4" hex head bolt, (2) 3/8" flat and lock washers and (2) 3/8" hex nut. Leave loose. Picture 5. **NOTE: Only rear mounting bracket has auxiliary bracket.**

- Place side bar to the front mounting brackets and secure using (1) 1/2 x 2" hex head bolt, and (1) 1/2" flat and lock washers. **NOTE:** Using same 1/2" bolt secure front mounting bracket and auxiliary front mounting bracket to side bar. Leave loose. Use (2) 3/8 x 1 1/4" and 3/8" flat and lock washers to secure middle and rear mounting bracket. Leave loose.

**PICTURE 4**



**PICTURE 5**



- Align the sidebar to the vehicle and tighten all hardware.

- Repeat for the other side of vehicle.