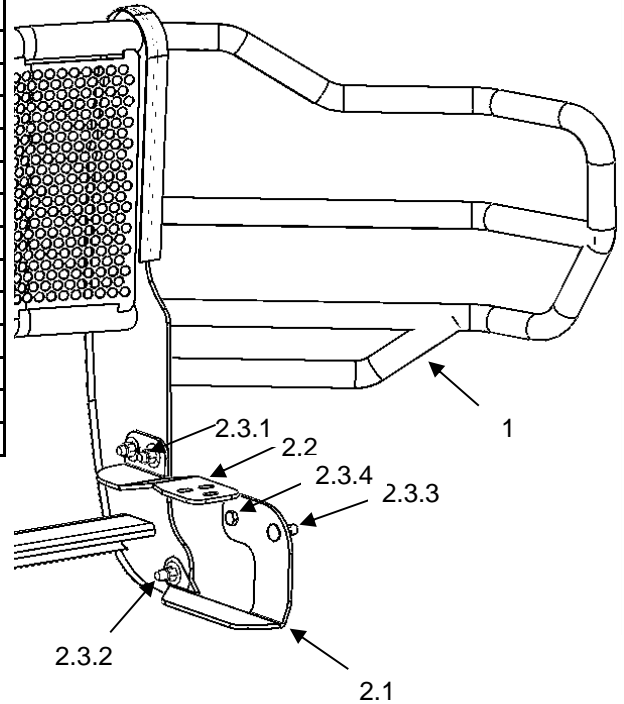


INSTALLATION INSTRUCTIONS
14369T GRILLE GUARD
FORD SUPERDUTY F250, F350, F450 - 2008-10

Parts List:

No.	Qty.	Unity	Part No.	Description
1	1	PC		Grille guard
2	1	SET	BRK-57239	BRACKETS
2.1	1	SET		Lower bracket
2.2	1	SET		Upper bracket
2.3	1	SET	KTE-57239	HARDWARE KIT
2.3.1	4	PC		1/2x1 1/2" Black carriage head bolt
2.3.2	2	PC		1/2x1 1/4" Black carriage head bolt
2.3.3	2	PC		1/2x1 1/4" Carriage head bolt
2.3.2	2	PC		1/2x1 1/4" Hex head bolt
2.3.3	6	PC		1/2" Black flat washer
2.3.3	4	PC		1/2" Flat washer
2.3.4	6	PC		1/2" Black lock nut
2.3.5	4	PC		1/2" Lock nut



Tools required:

15mm. Wrench or Socket Ratchet
 3/4"o 19mm Wrench or Socket Ratchet extension

Wrench Nut

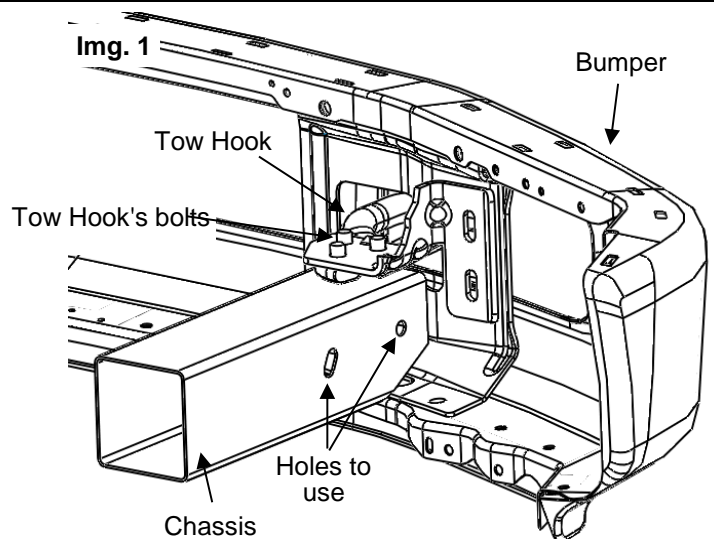
Approximated installation time: 30 min.

1. Before beginning the installation, please read the instructions thoroughly and verify that the hardware kit is complete. If any of the pieces listed above are missing, call you distributor immediately to obtain the necessary items.

Instructions:

2. Remove the tow hook's bolts. Lift the bumper and insert the the upper brackets between the tow hook and the chassis. Fix with the previously removed bolts. (Img. 1) Note: Do not tighten the hardware yet.

3. Locate the oval and round holes on the external face of the chassis, fix the lower bracket to these. (Img. 1 Y 2)



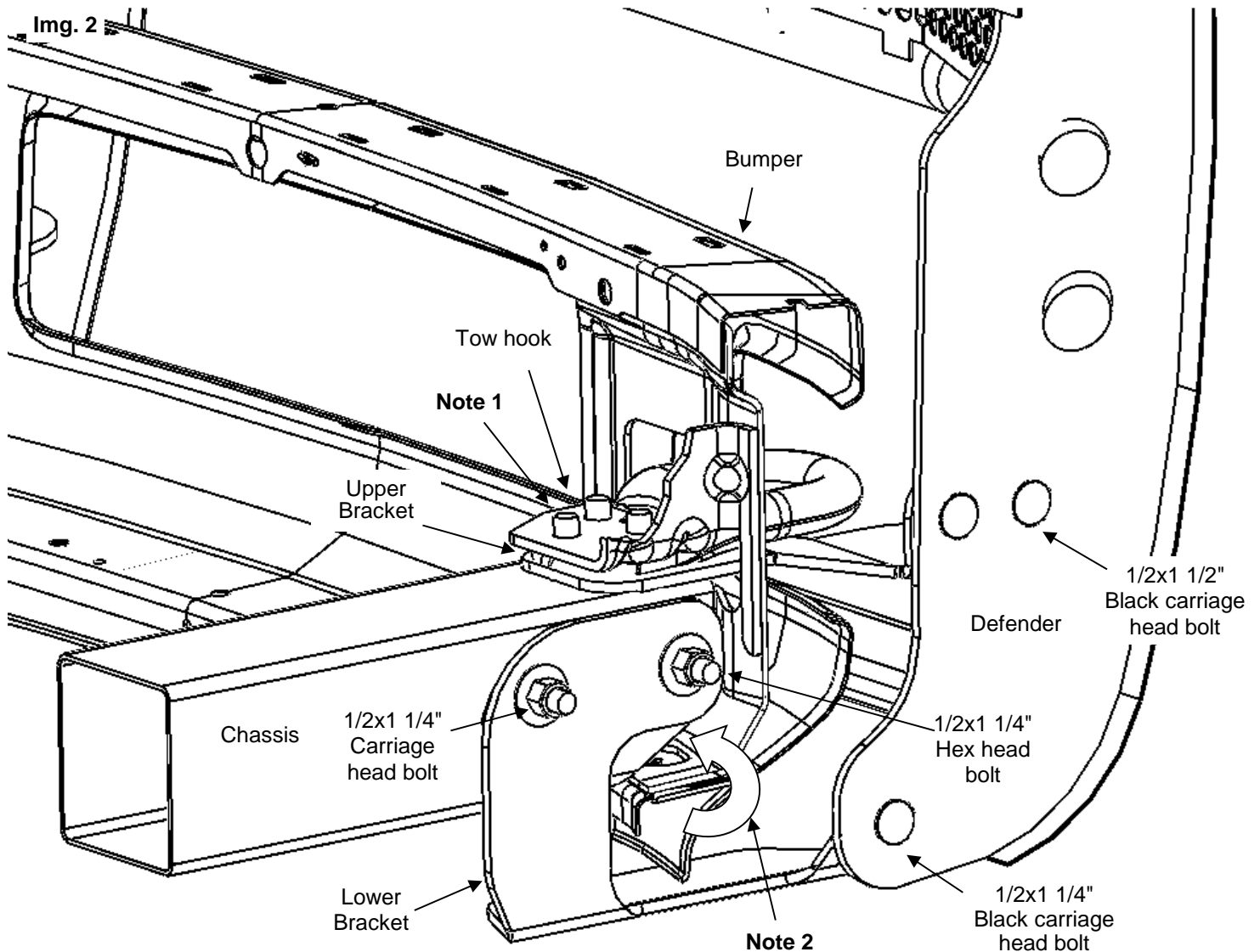
Cleaning and care instructions:

Protect the finish with a non-abrasive automotive wax, (e.g. Pure Carnauba) on a regular basis. The use of any soap, polish, or wax that contains an abrasive is detrimental to the finish, as the compounds scratch the finish and cause corrosion.

Diseño:

Calidad:

INSTALLATION INSTRUCTIONS 14369T GRILLE GUARD



Note 1. To remove and install the tow hook's bolts you can use a wrench nut. Reach them from the lower side of the chassis.

Note 2. To place the bolts, insert them through the front of the chassis. (Img. 2)

4. Align your accessory, verify that it doesn't interfere with the hood opening and tighten all the hardware.
5. Do not use abrasive substances to clean your product.
6. **Fill out your warranty card** and place it inside your vehicle.

Cleaning and care instructions:

Diseño:

Calidad:

Protect the finish with a non-abrasive automotive wax, (e.g. Pure Carnauba) on a regular basis. The use of any soap, polish, or wax that contains an abrasive is detrimental to the finish, as the compounds scratch the finish and cause corrosion.