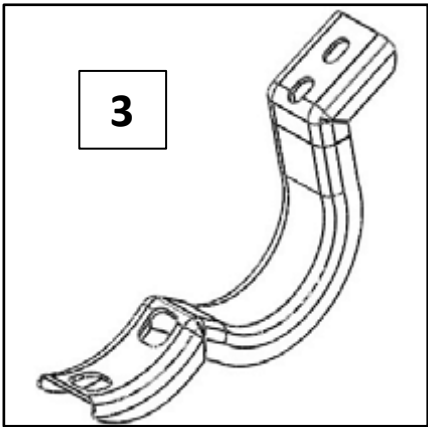
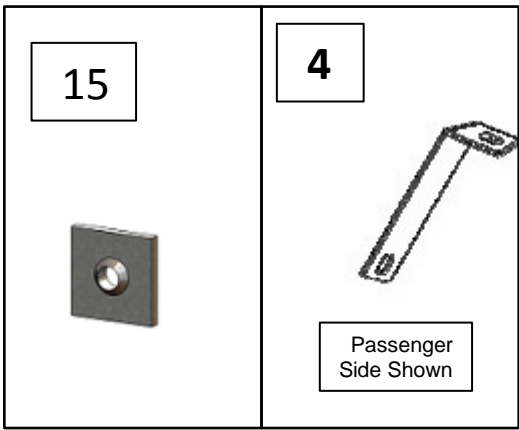
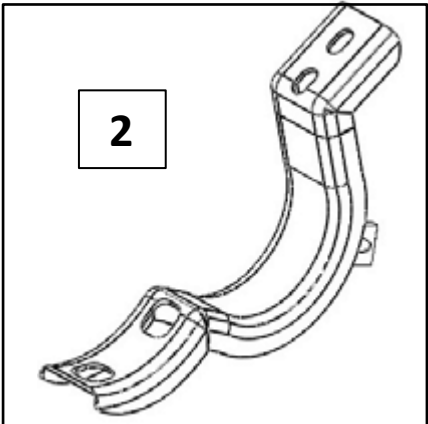
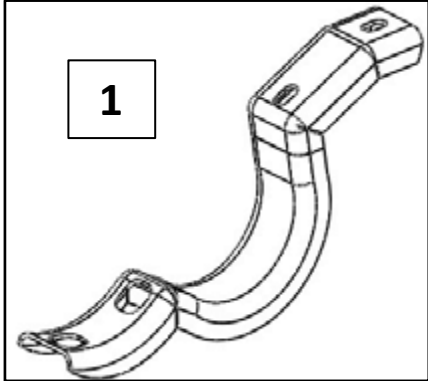


Installation Instructions
DOMINATOR D4 DUAL-STEP Part # D44416
2007-2013 Toyota Tundra CREW MAX

Parts List

Item	Qty.	Part #	Description	Torque
1	2	D44-2896AA	Front Bracket	-
2	2	D44-2890AA	Center Bracket	-
3	4	D44-2896BA	Rear Bracket	-
4	1 Set	D44-2892AA	Center Auxiliary Bracket	-
5	16	-	5/16" X 1" Hex Bolt (black)	17Ft. Lbs.
6	16	-	5/16" Lock Washer (black)	-
7	16	-	5/16" Flat Washer	-
8	16	-	5/16" Lock Washer	-
9	16	-	M8 x 25mm Hex Bolt	18Ft. Lbs.
10	2	-	3/8" x 1 1/4" Hex Bolt (black)	30Ft. Lbs.
11	2	-	3/8" x 1" Carriage Bolt (black)	30Ft. Lbs.
12	20	-	3/8" Flat Washer (black)	-
13	4	-	3/8" Lock Washer (black)	-
14	2	-	3/8" Hex Nut (black)	-
15	2	10701AA	3/8" Nut Plate	-
16	1 Set	-	Side Step	-



Tool Required:
 13mm Socket
 1/2" & 9/16" Socket
 9/16" Wrench
 Ratchet & Ratchet Extension
Approximate Installation Time: 45 min

Read the installation instructions completely and verify that all of the parts listed are accounted for. If you have defective, missing or damaged parts or need assistance, please contact *Go Rhino Products* for fast, friendly customer service at: 1-888-427-4466 or email: warranty@gorhino.com

Installation

Step-1 Locate and remove plastic plugs or factory hex bolts (if equipped) from the threaded inserts in the underside of the body at the front center and rear of the cab, (**Photo 1, 2 & 3**).

Photo 1



Passenger Side Center & rear



Photo 2

Passenger Side Front

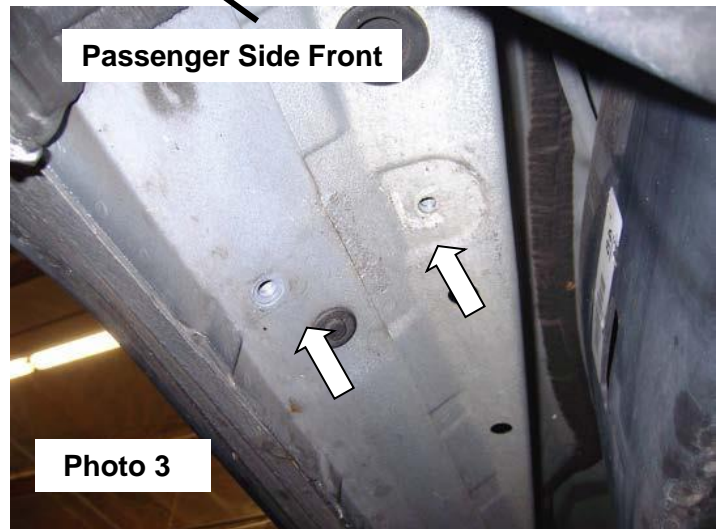


Photo 3

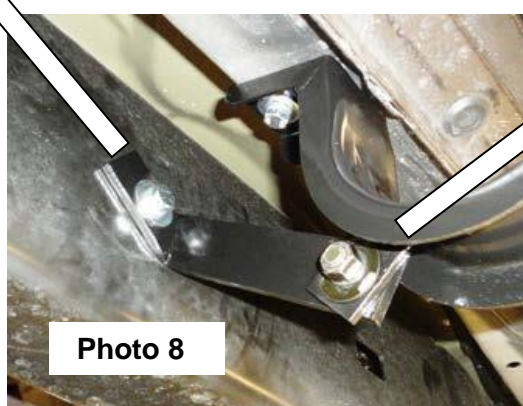
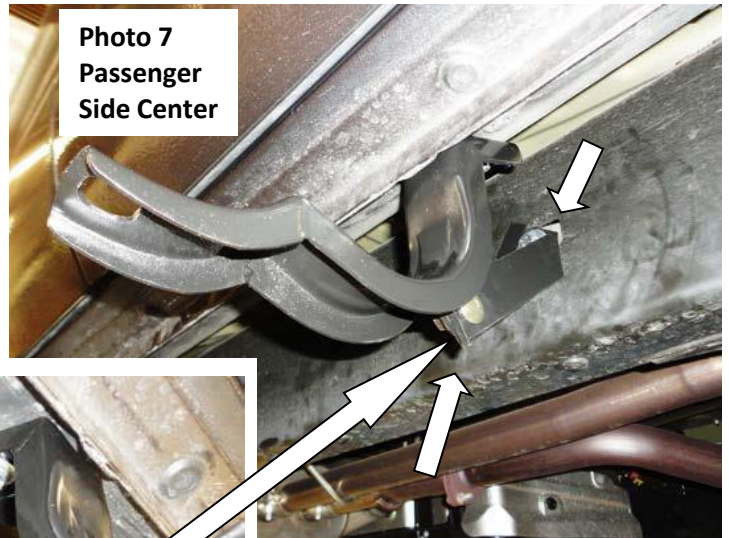
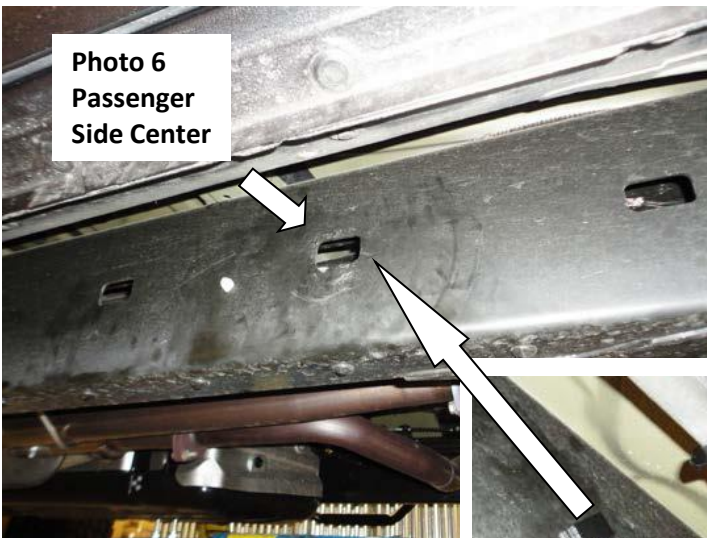
Step-2 Attach the front center and rear brackets to the underside of the body using (2) M8 x 25mm hex bolts, (2) 5/16" lock washers and (2) 5/16" flat washers for each bracket, (**Photo 4 & 5**). Leave the bolts loose for final adjustment.



Step-3 Locate the rectangular hole in the side of the frame that aligns with the center bracket, (**Photo 6**). Note: The center bracket was removed for photo purposes.

Step-4 Position one of the nut plates behind the frame with the flat side of the nut plate covering the rectangular hole.

Step-5 Hold the nut plate in position, and attach the passenger side auxiliary bracket to the side of the frame using the nut plate, (1) 3/8" x 1 1/4" hex bolt, (1) 3/8" lock washer and (1) 3/8" flat washer. Attach the opposite end of the auxiliary bracket to the center bracket tab using (1) 3/8" x 1" carriage bolt, (1) 3/8" flat washer, (1) 3/8" lock washer and (1) 3/8" hex nut, (**Photo 7 & 8**). Leave the nut and bolts loose for final adjustment.



Step-6 Attach the passenger side step to each of the brackets using (2) 5/16" x 1" hex bolts, (2) 5/16" lock washers and (2) 3/8" flat washers, (**Illustration 1 & 2**).

Step-7 Align the side step with the vehicle and tighten all side step and bracket nuts and bolts.

Step-8 Repeat the installation steps to install the driver side brackets and side step. Remember to check and retighten all nuts and bolts periodically.

