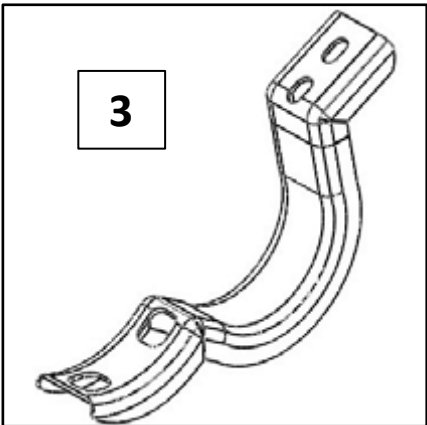
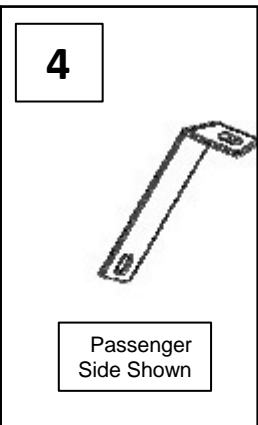
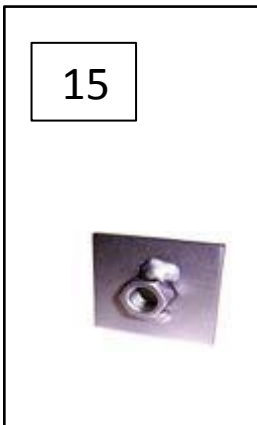
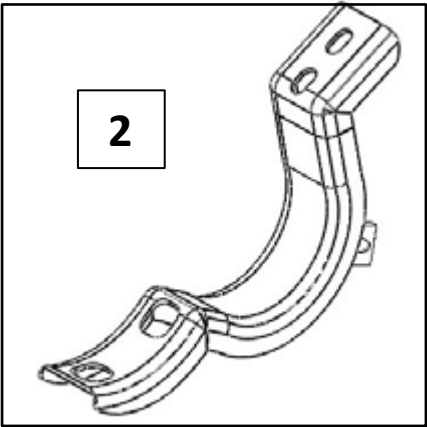
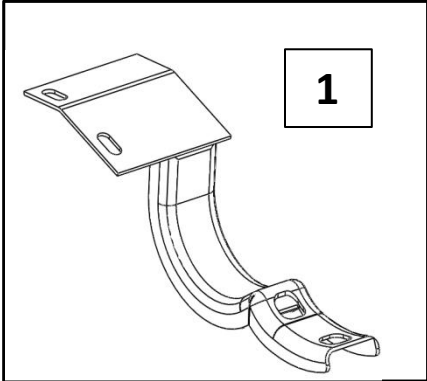


Installation Instructions
DOMINATOR D4 DUAL-STEP Part # D44415
2007-2014 Toyota Tundra DOUBLE CAB

Parts List

Item	Qty.	Part #	Description	Torque
1	1 Set	D44-4150AA	Front Bracket	-
2	2	D44-2890AA	Center Bracket	-
3	4	D44-2896BA	Rear Bracket	-
4	1 Set	D44-2892AA	Center Auxiliary Bracket	-
5	16	-	5/16" X 1" Hex Bolt (black)	17Ft. Lbs.
6	16	-	5/16" Lock Washer (black)	-
7	16	-	5/16" Flat Washer	-
8	16	-	5/16" Lock Washer	-
9	16	-	M8 x 25mm Hex Bolt	18Ft. Lbs.
10	2	-	3/8" x 1 1/4" Hex Bolt (black)	30Ft. Lbs.
11	2	-	3/8" x 1" Carriage Bolt (black)	30Ft. Lbs.
12	20	-	3/8" Flat Washer (black)	-
13	4	-	3/8" Lock Washer (black)	-
14	2	-	3/8" Hex Nut (black)	-
15	2	503965	3/8" Nut Plate	-
16	1 Set	-	Side Step	-



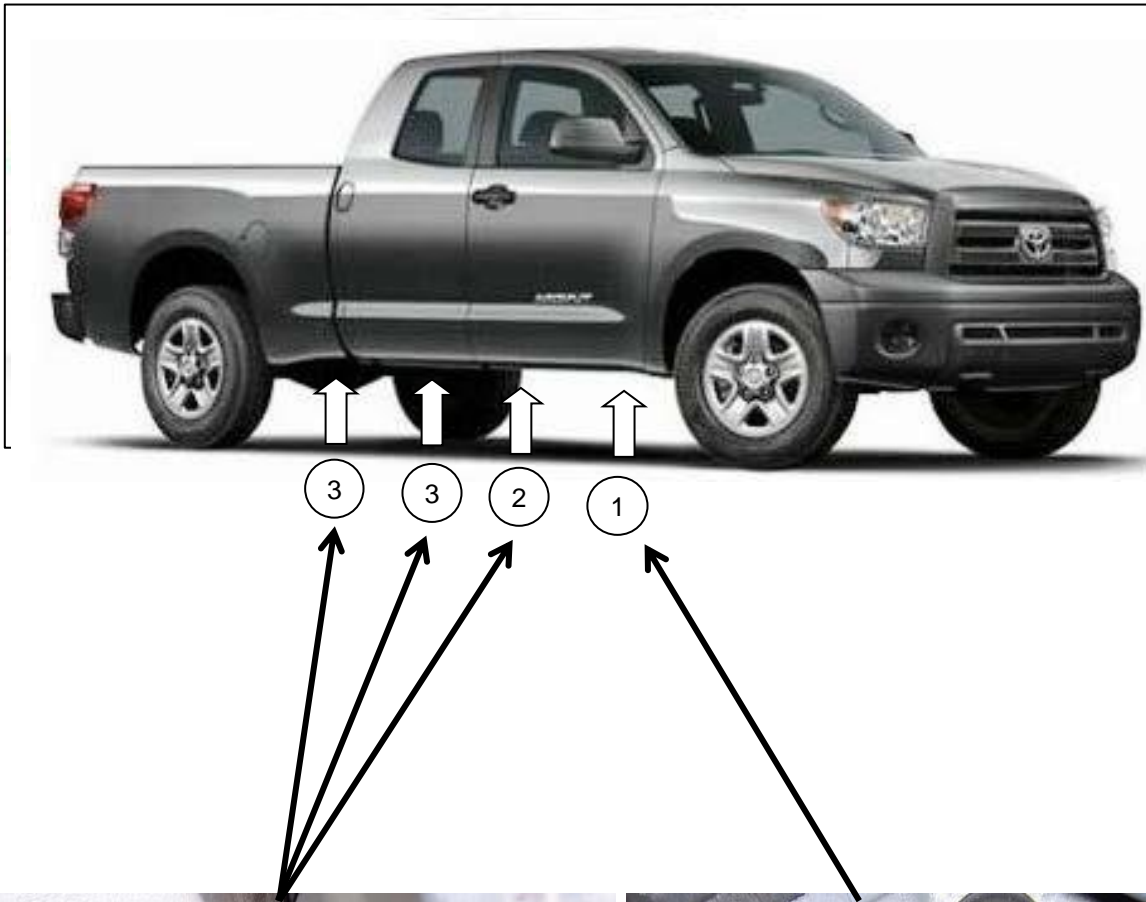
Tool Required:
 13mm Socket
 1/2" & 9/16" Socket
 9/16" Wrench
 Ratchet & Ratchet Extension
Approximate Installation Time: 45 min

Read the installation instructions completely and verify that all of the parts listed are accounted for. If you have defective, missing or damaged parts or need assistance, please contact Go Rhino Products for fast, friendly customer service at: 1-888-427-4466 or email: warranty@gorhino.com

Installation

Step-1 Locate and remove plastic plugs or factory hex bolts (if equipped) from the threaded inserts in the underside of the body at the front center and rear of the cab, (**Photo 1, 2 & 3**).

Photo 1



Passenger Side Center & rear



Photo 2

Passenger Side Front

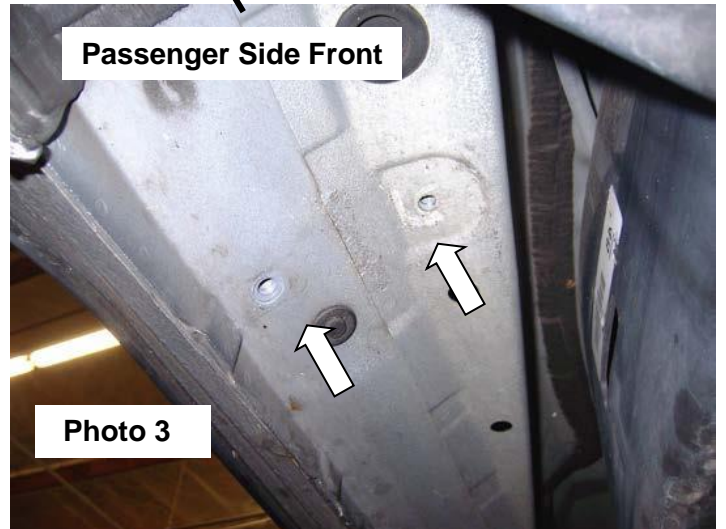


Photo 3

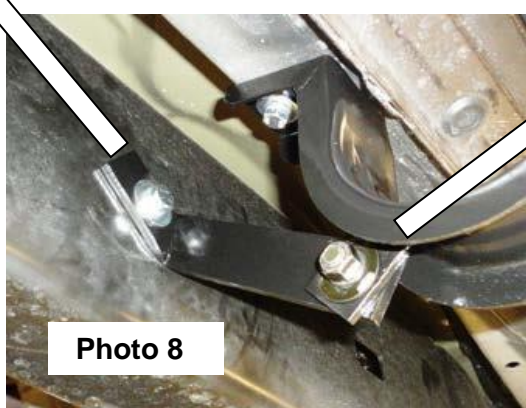
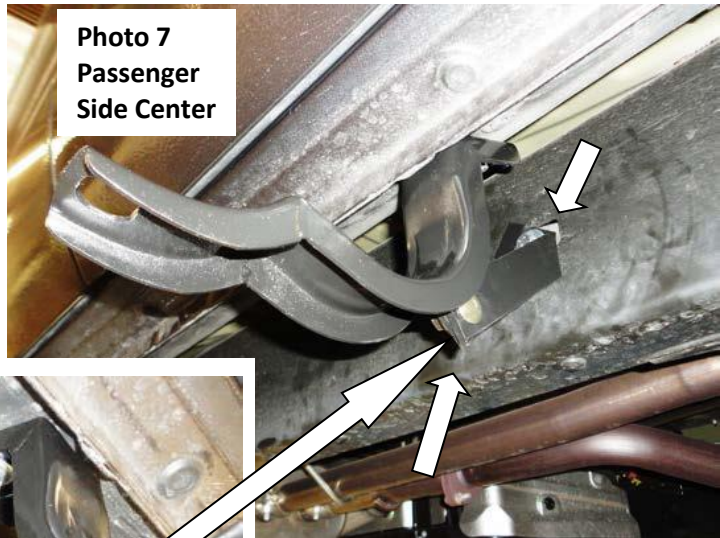
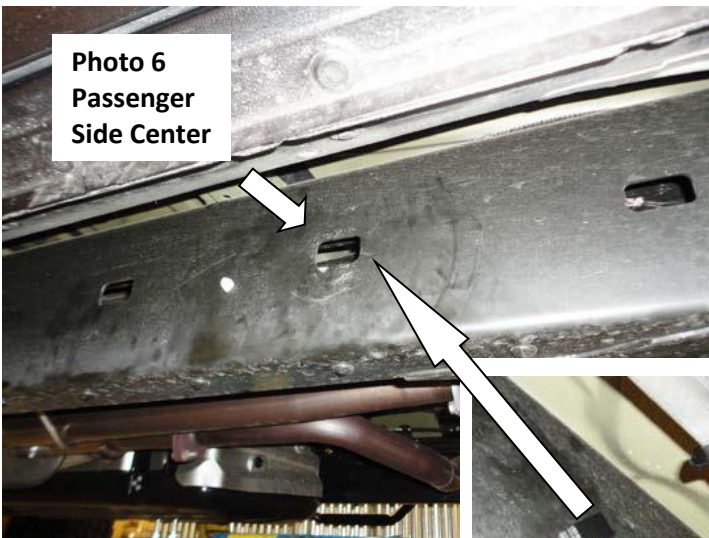
Step-2 Attach the front center and rear brackets to the underside of the body using (2) M8 x 25mm hex bolts, (2) 5/16" lock washers and (2) 5/16" flat washers for each bracket, (**Photo 4 & 5**). Leave the bolts loose for final adjustment.



Step-3 Locate the rectangular hole in the side of the frame that aligns with the center bracket, (**Photo 6**). Note: The center bracket was removed for photo purposes.

Step-4 Position one of the nut plates behind the frame with the flat side of the nut plate covering the rectangular hole.

Step-5 Hold the nut plate in position, and attach the passenger side auxiliary bracket to the side of the frame using the nut plate, (1) 3/8" x 1 1/4" hex bolt, (1) 3/8" lock washer and (1) 3/8" flat washer. Attach the opposite end of the auxiliary bracket to the center bracket tab using (1) 3/8" x 1" carriage bolt, (1) 3/8" flat washer, (1) 3/8" lock washer and (1) 3/8" hex nut, (**Photo 7 & 8**). Leave the nut and bolts loose for final adjustment.



Step-6 Attach the passenger side step to each of the brackets using (2) 5/16" x 1" hex bolts, (2) 5/16" lock washers and (2) 3/8" flat washers, (**Illustration 1 & 2**).

Step-7 Align the side step with the vehicle and tighten all side step and bracket nuts and bolts.

Step-8 Repeat the installation steps to install the driver side brackets and side step. Remember to check and retighten all nuts and bolts periodically.

Illustration 1

