

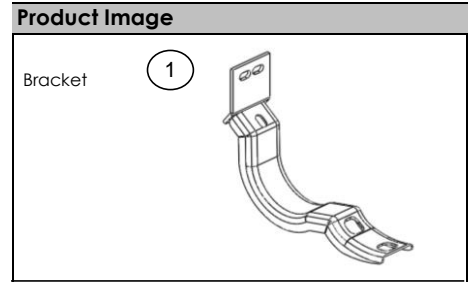
RUNNING BOARD 4" OVAL

INSTALLATION INSTRUCTIONS

OVAL SIDE BAR WIDESIDER 4" D44351	VEHICLE NISSAN TITAN CREW CAB	YEAR 04-13
--------------------------------------	----------------------------------	---------------

Parts List				
Item	Qty.	Code	Description	Max. Torque
1 Kit BRK-D44-059 Kit de brackets				
1	8 Piece	D44-0590AA	Bracket.	-
1 Kit KTE-D44-059 Hardware bolts kit				
2	16 Piece	-	5/16"x1" Hex head bolt.	11 Lb.ft
3	32 Piece	-	5/16" Lock washer	-
4	16 Piece	-	3/8" Flat washer	-
5	8 Piece	-	M8 x 30mm P1.25 Hex. Head bolt	11 Lb.ft
6	8 Piece	-	M8 Nut Hex P 1.25	11 Lb.ft
7	16 Piece	-	5/16" Flat washer	-
8	1 Set	-	Oval side bar widesider 4" (Passenger / Driver).	-

Required Tools (Not included)	
Qty.	Description
1	1/2" Socket & 1/2" Wrench
1	12mm Socket
1	13mm Socket
1	Ratchet
1	Extension

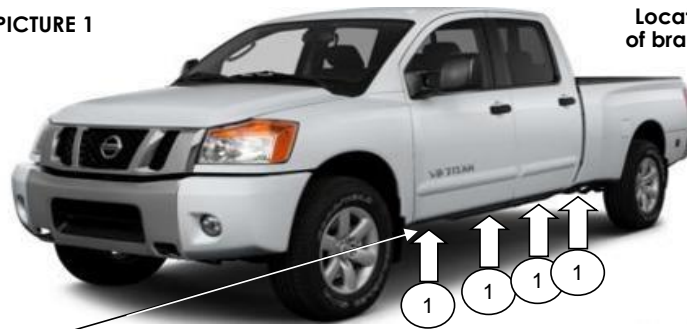


Instructions

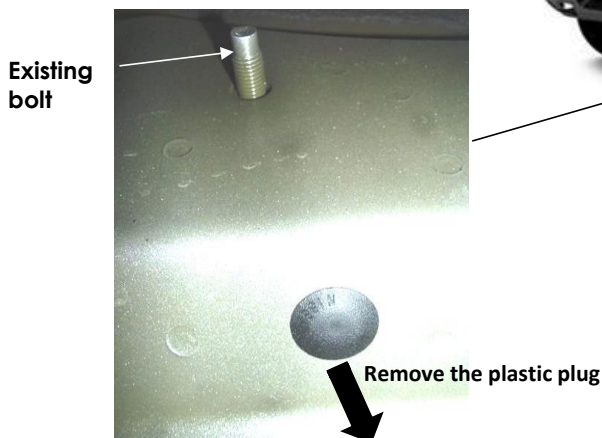
- 1.- Before beginning the installation, please read all directions carefully and verify that all necessary hardware is accounted for. If any parts are missing, stop the installation and contact your distributor immediately.
- 2.- To maintain and care this product keep it clean and do not use abrasive cleaners or polish waxes. We recommend to use only non-abrasive automotive wax such as pure carnauba to avoid scratches and rust.
- 3.- The approximate installation time is 45 min.
4. Place mounting bracket as shown, secure to the threaded hole using (1) M8 x 30mm hex head bolt and 5/16" flat and lock washer and to the existing bolt with (1) 5/16" lock and flat washer and (1) M8 hex nut. Leave loose. See PICTURE1 y 2. Repeat the same procedure for each bracket.

PICTURE 1

Location of bracket

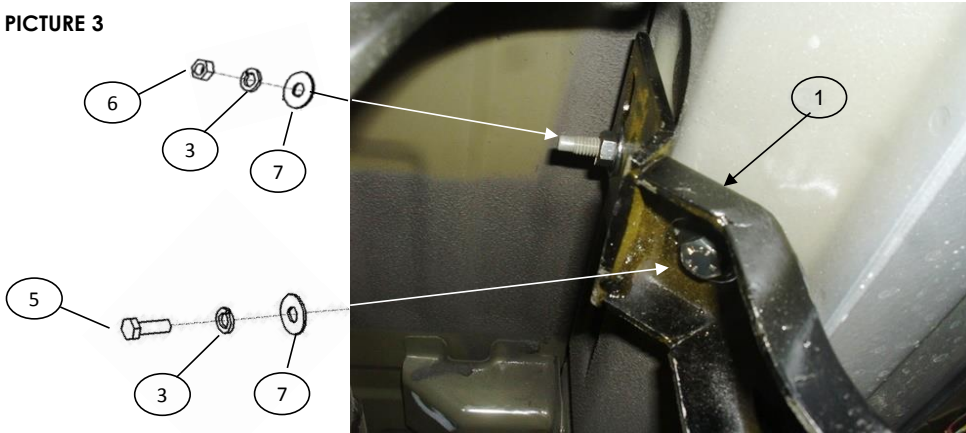


PICTURE 2



5. Place mounting bracket as shown, secure to the threaded hole using (1) M8 x 30mm hex head bolt and 5/16" flat and lock washer and to the existing bolt with (1) 5/16" lock and flat washer and (1) M8 hex nut. Leave loose. See PICTURE 3. Repeat the same procedure for each bracket.

PICTURE 3



6. Oval side bar 4", place on brackets and attach with: 5/16"x1" hex head bolt, 3/8" Flat washer, and Flat lock 5/16" SEE PICTURE 4 and INSTRUCTION 1 Repeat for the opposite side. Leave loose.

PICTURE 4

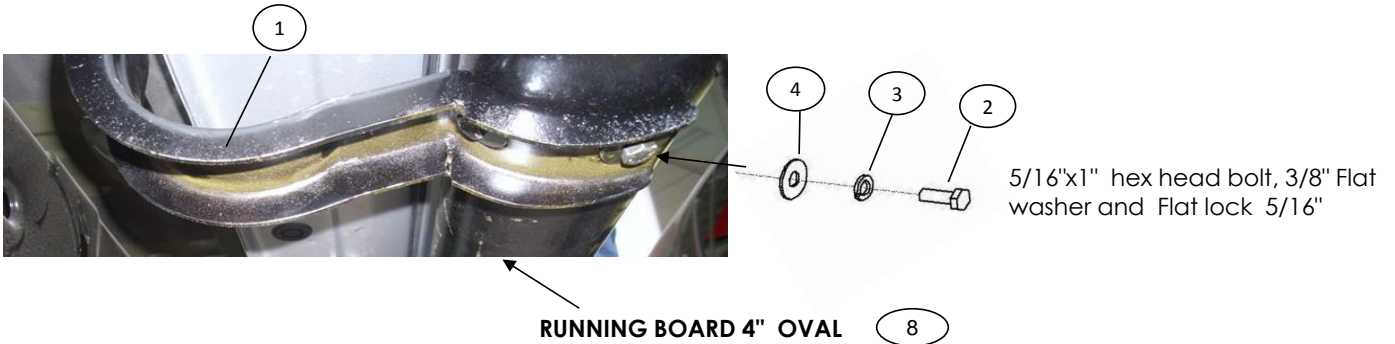
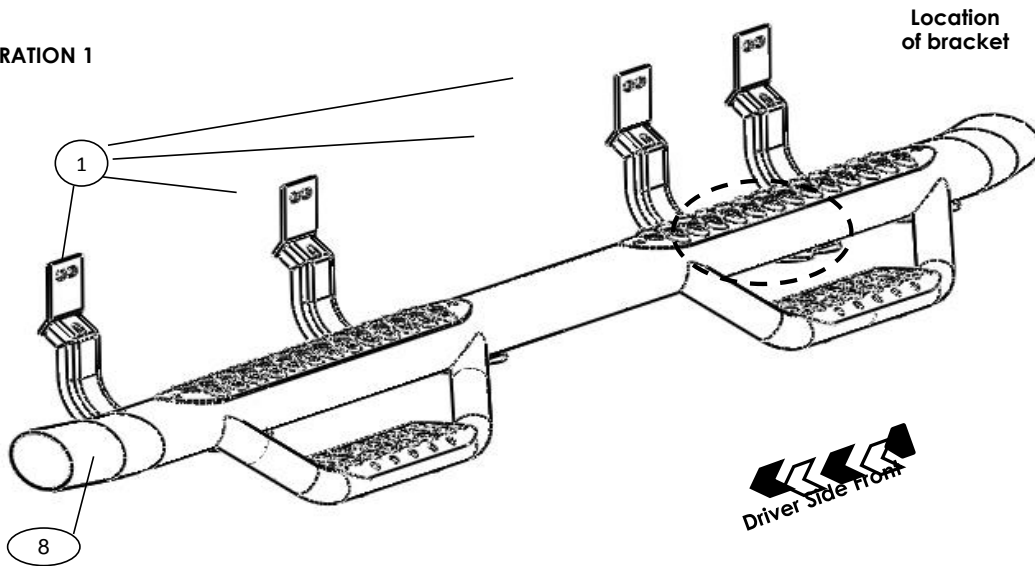


ILLUSTRATION 1



7. Align Running board Oval side 4" and then tighten all bolts.
8. Periodically check your product because it may need a re-tighten of bolts.
9. Fill the warranty card and place it inside your vehicle's glove box.