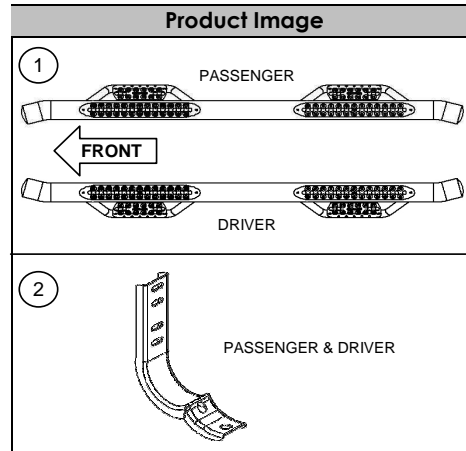


Parts List				
Item	Qty.	Code	Description	Max. Torque
	<b>1 Kit</b>	<b>D44176</b>	<b>DOMINATOR IV</b>	-
1	1 Set	D441760AA-0BA	Side bar Dominator IV	-
	<b>1 Kit</b>	<b>BRK-D44-030</b>	<b>Hardware brackets kit</b>	-
2	8 Piece	D44-0306AA	Bracket.	-
	<b>1 Kit</b>	<b>KTE-D44-030</b>	<b>Hardware bolts kit</b>	-
3	16 Piece	-	5/16" x 1" Hex head bolt	24 Lb.ft
4	16 Piece	-	5/16" Lock washer	-
5	40 Piece	-	3/8" Flat washer	-
6	8 Piece	-	3/8" Clip nut	30 Lb.ft
7	16 Piece	-	3/8 x 1 1/4" Hex head bolt	30 Lb.ft
8	16 Piece	-	3/8" Lock washer	-
9	8 Piece	-	3/8" Hex nut	30 Lb.ft

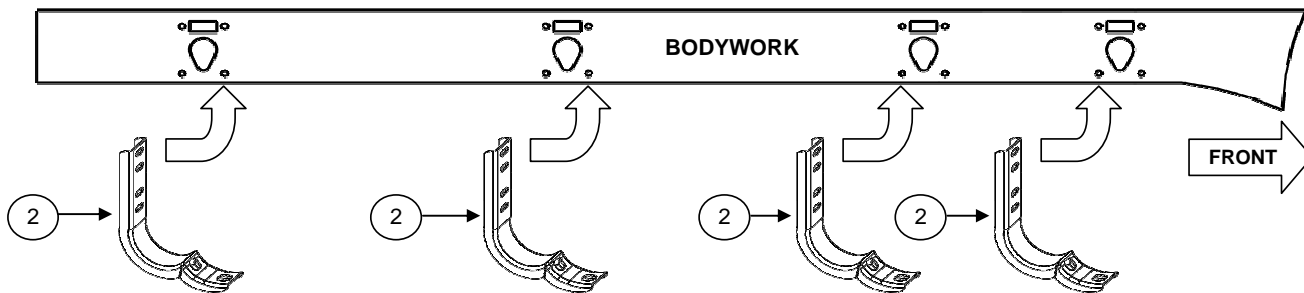
Required Tools (Not included)	
Qty.	Description
1	1/2" Socket & 1/2" Wrench
1	9/16" Socket & 9/16" Wrench
1	Ratchet
1	Extension



**Instructions**

- 1.- Before beginning the installation, please read all directions carefully and verify that all necessary hardware is accounted for. If any parts are missing, stop the installation and contact your distributor immediately.
- 2.- To maintain and care this product keep it clean and do not use abrasive cleaners or polish waxes. We recommend to use only non-abrasive automotive wax such as pure carnauba to avoid scratches and rust.
- 3.- The approximate installation time is 45 min.
- 4.- Locate the holes located inside the bodywork of vehicle, front, in the middle and rear part. **SEE ILLUSTRATION 1.**

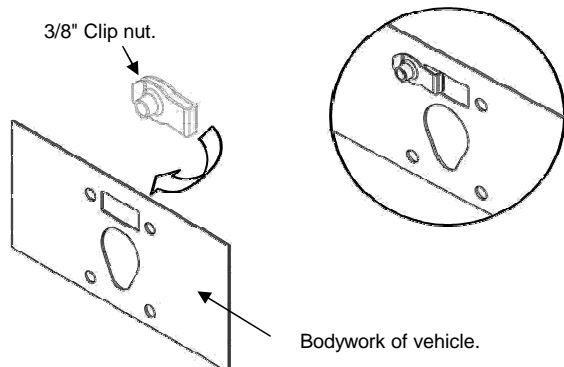
**ILLUSTRATION 1.**



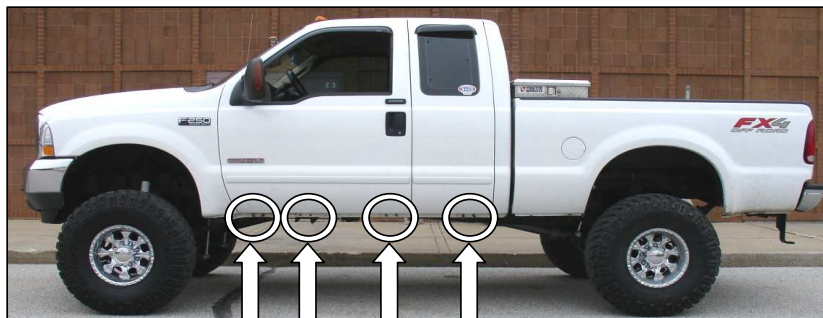
**NOTE:** Use as a reference illustration 1 to install each of the bracts.

- 5.- Place a 3/8" clip nut in the upper part. **SEE ILLUSTRATION 2, PICTURE 1.**

**ILLUSTRATION 2.**



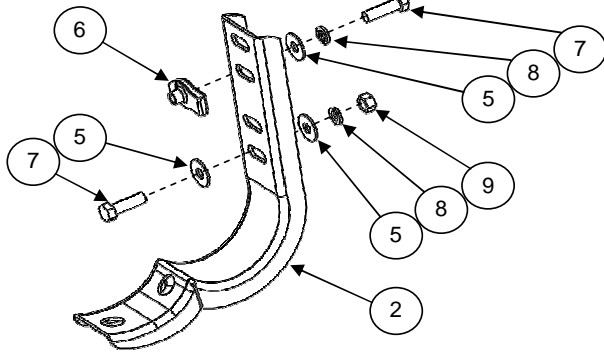
**PICTURE 1.**



In this part, under the vehicle install each driver side bracket.

6.- Mount the bracket and attach to 3/8" clip nut with: 3/8 x 1 1/4" hex head bolt, 3/8" flat and lock washer, and in the lower part attach with: 3/8 x 1 1/4" hex head bolt, 3/8" flat and lock washer, 3/8" hex nut. **SEE ILLUSTRATION 3.** By each bracket. Leave loose.

**ILLUSTRATION 3.**

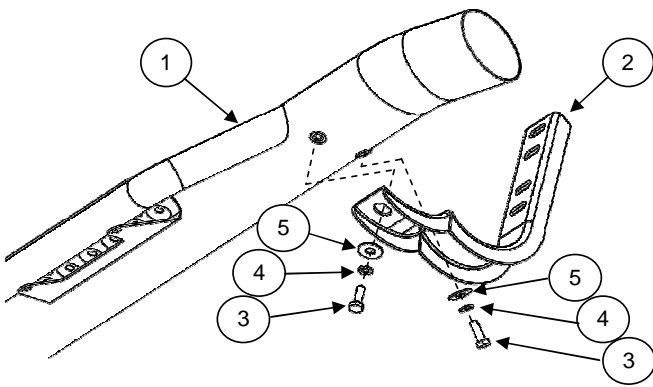


**PICTURE 2.**

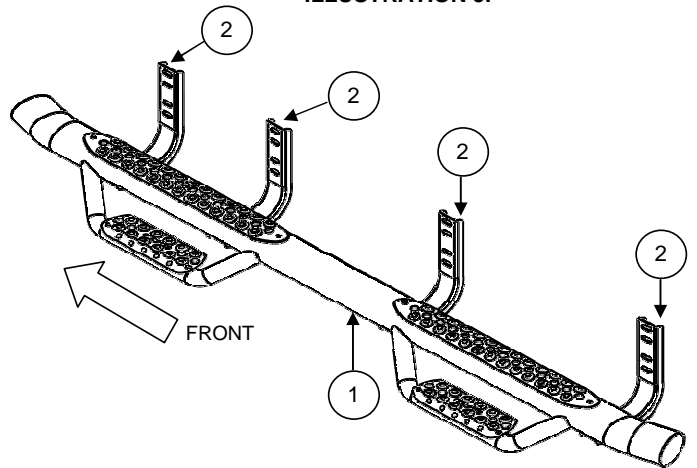


7.- Mount the side bar to the brackets and attach with: 5/16 x 1 1/4" hex head bolt, 3/8" flat washer, 5/16" lock washer. By each bracket. Leave loose. **SEE ILLUSTRATION 4 & 5.**

**ILLUSTRATION 4.**



**ILLUSTRATION 5.**



8.- Make any final adjustments to the alignment of the bracket and tighten all bolts.

**Repeat the above steps to install the passenger side.**

9.- Periodically check your product because it may need a re-tighten of bolts.

**PICTURE 3.**



**DOMINATOR IV INSTALLED, DRIVER SIDE.**