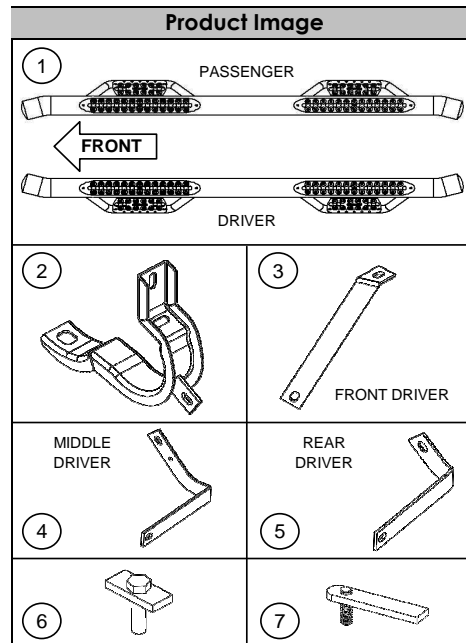


| Parts List | | | | |
|--|----------|---------------|-------------------------------|-------------|
| Item | Qty. | Code | Description | Max. Torque |
| 1 Kit D44151 DOMINATOR IV | | | | |
| 1 | 1 Set | D441510AA-0BA | Side bar Dominator IV | - |
| 1 Kit BRK-D44-151 Hardware brackets kit | | | | |
| 2 | 6 Piece | D44-1690CA | Main bracket | - |
| 3 | 1 Set | D44-1262AA | Front auxiliary bracket | - |
| 4 | 1 Set | D44-1514AA | Middle auxiliary bracket | - |
| 5 | 1 Set | D44-1514BA | Middle auxiliary bracket | - |
| 6 | 2 Piece | 370200AA | 3/8" bolt plate | 30 Lb.ft |
| 7 | 6 Piece | 3912670CA | 3/8" threaded rod plate | 30 Lb.ft |
| 1 Kit KTE-D44-151 Hardware bolts kit | | | | |
| 8 | 12 Piece | - | 5/16" x 1" Hex head bolt | 24 Lb.ft |
| 9 | 12 Piece | - | 5/16" Lock washer | - |
| 10 | 34 Piece | - | 3/8" Flat washer | - |
| 11 | 6 Piece | - | 2 1/2 x 5/16" vinyl gasket | - |
| 12 | 6 Piece | - | 3/8 x 1" Hex head bolt | 30 Lb.ft |
| 13 | 12 Piece | - | 3/8 x 1" Carriage head bolt | 30 Lb.ft |
| 14 | 18 Piece | - | 3/8" Lock washer | - |
| 15 | 12 Piece | - | 3/8" Hex nut | 30 Lb.ft |
| 16 | 6 Piece | - | 3/8" Clip nut | 30 Lb.ft |
| 17 | 8 Piece | - | 3/8" Flat washer. Zinc plated | - |
| 18 | 8 Piece | - | 3/8" Lock washer. Zinc plated | - |
| 19 | 8 Piece | - | 3/8" Hex nut. Zinc plated | 30 Lb.ft |

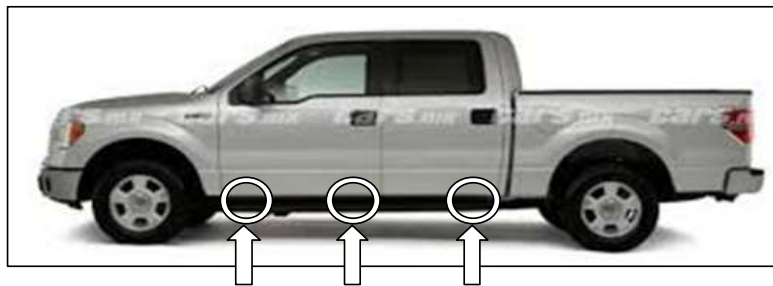
| Required Tools (Not included) | |
|-------------------------------|-----------------------------|
| Qty. | Description |
| 1 | 1/2" Socket & 1/2" Wrench |
| 1 | 9/16" Socket & 9/16" Wrench |
| 1 | Ratchet |
| 1 | Extension |



Instructions

- 1.- Before beginning the installation, please read all directions carefully and verify that all necessary hardware is accounted for. If any parts are missing, stop the installation and contact your distributor immediately.
- 2.- To maintain and care this product keep it clean and do not use abrasive cleaners or polish waxes. We recommend to use only non-abrasive automotive wax such as pure carnauba to avoid scratches and rust.
- 3.- The approximate installation time is 45 min.
- 4.- Locate the holes placed inside the rocker panel of the vehicle, front, middle and rear, place a clip nut in the upper. **SEE PICTURE 1, ILLUSTRATION 1.**
- 5.- Put the bracket and attach the 3/8" clip nut with: 3/8 x 1 1/4" hex head bolt, 3/8" flat and lock washer. **NOTE 1: In the middle part insert a 3/8" bolt plate and vinyl gasket and attach with: 3/8" flat and lock washer, 3/8" hex nut.** In the lower part for each bracket attach with: 3/8 x 1" carriage head bolt, 3/8" flat and lock washer, 3/8" hex nut. **SEE ILLUSTRATION 2 & 3.** Leave loose.

PICTURE 1.



In this part, install each bracket on driver side.

ILLUSTRATION 1.

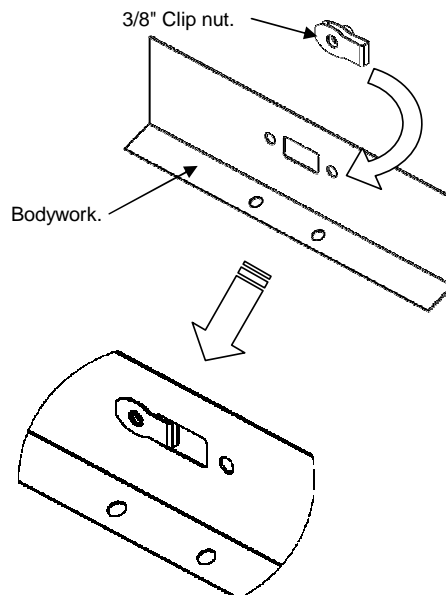
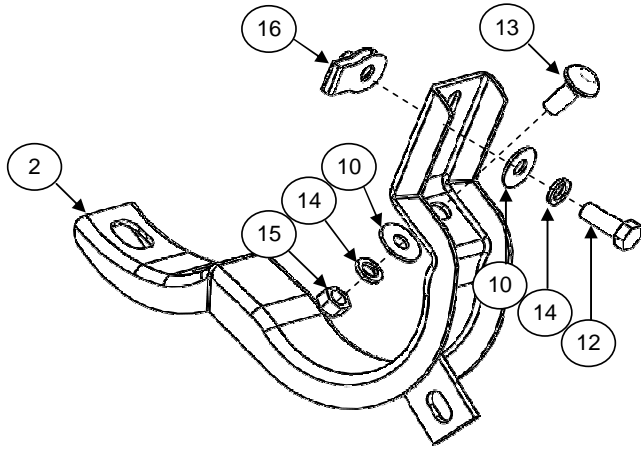


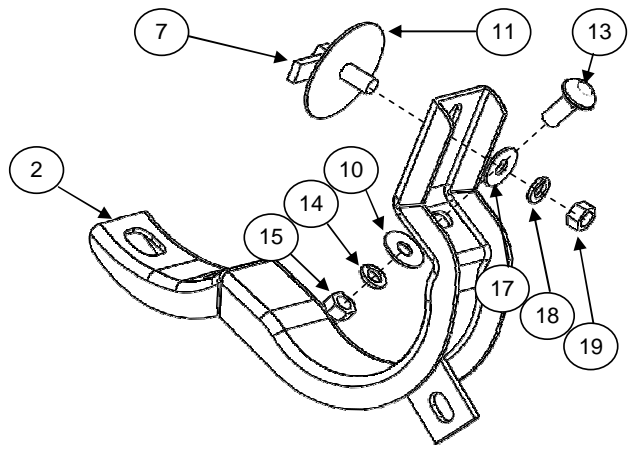
ILLUSTRATION 2.



9/16" Use ratchet and socket.

NOTE: Use this configuration front and rear.

ILLUSTRATION 3.

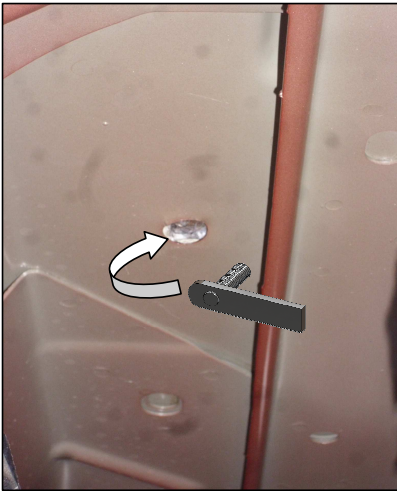


9/16" Use ratchet and socket.

NOTE: Use this configuration middle.

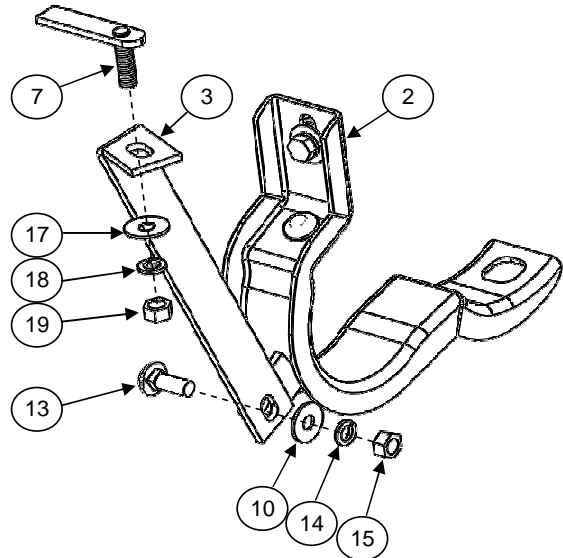
6.- Locate on the front hole in the top of the bracket installed and insert the 3/8" threaded rod plate. **Note: In some models have a plastic plug, remove it and other has a label stuck inside, need to push hard the 3/8" threaded rod plate.** Place the front auxiliary bracket and attach with: 3/8" flat and lock washer, 3/8" hex nut. On the other end of the bracket attach to the main bracket: 3/8" carriage head bolt, 3/8" flat and lock washer, 3/8" hex nut. Leave loose. **SEE PICTURE 2 & ILLUSTRATION 4.**

PICTURE 2.



Insert the 3/8" threaded rod plate in the hole as shown.

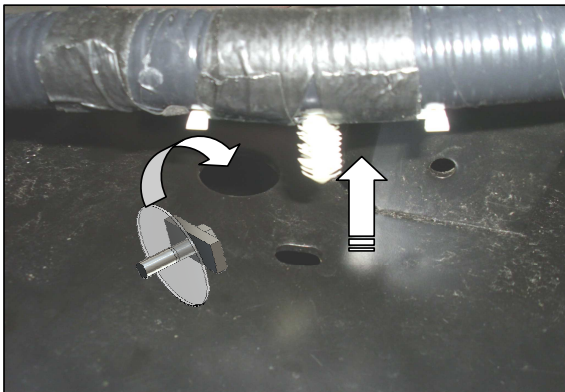
ILLUSTRATION 4.



9/16" Use ratchet and socket.

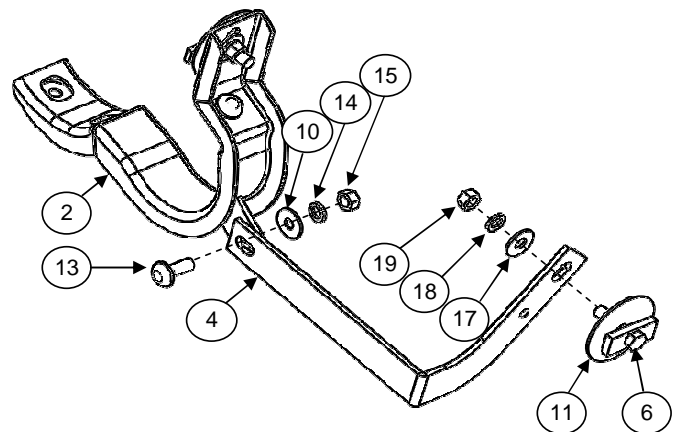
7.- Locate in the middle part hole on one side of the frame and insert 3/8" bolt plate (place a vinyl gasket on the bolt to prevent it from falling inside the frame), install the middle auxiliary bracket and attach with: 3/8" flat and lock washer, 3/8" hex nut, the other end attach to the main bracket with: 3/8" carriage head bolt, 3/8" flat and lock washer, 3/8" hex nut. Leave loose. **SEE PICTURE 3 & ILLUSTRATION 5.**

PICTURE 3.



NOTE: The electric arnes must be removed to insert the 3/8" bolt plate in the hole as shown, installed after the auxiliary bracket in place the electric arnes auxiliary bracket hole.

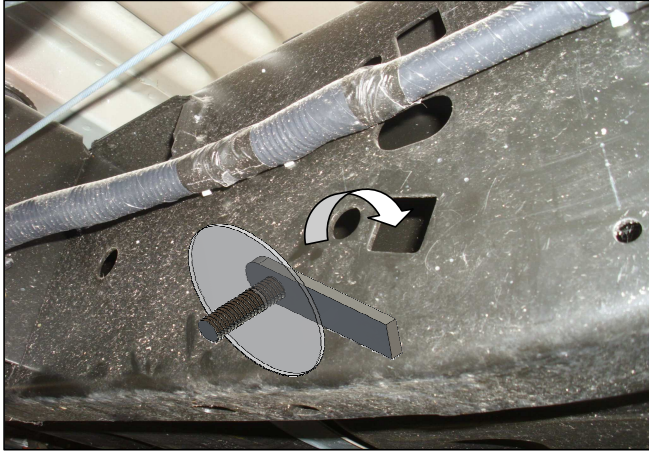
ILLUSTRATION 5.



9/16" Use ratchet and socket.

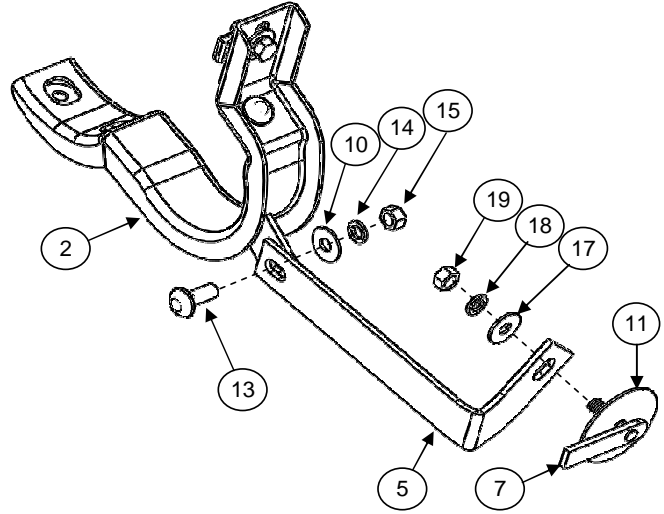
8.- Locate in the rear part hole on one side of the frame and insert 3/8" threaded rod plate. (place a vinyl gasket on the bolt to prevent it from falling inside the frame), install the rear auxiliary bracket and attach with: 3/8" flat and lock washer, 3/8" hex nut, the other end attach to the main bracket with: 3/8" carriage head bolt, 3/8" flat and lock washer, 3/8" hex nut. Leave loose. SEE PICTURE 4 & ILLUSTRATION 6.

PICTURE 4.



Insert the 3/8" threaded rod plate in the hole as shown.

ILLUSTRATION 6.



9/16" Use ratchet and socket.

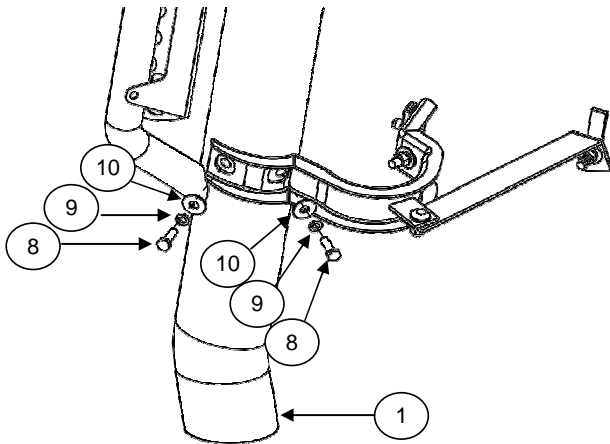
9.- Place the side bar to the brackets and attach with: 5/16 x 1 1/4" hex head bolt, 3/8" flat washer, 5/16" lock washer. For each bracket. Leave loose. SEE ILLUSTRATION 7.

10.- Make any final adjustments to the alignment of the bracket and tighten all bolts.

Repeat the above steps to install the passenger side.

11.- Periodically check your product because it may need a re-tighten of bolts.

ILLUSTRATION 7.



1/2" Use ratchet and socket.

PICTURE 5.



DOMINATOR IV INSTALLED, DRIVER SIDE.