

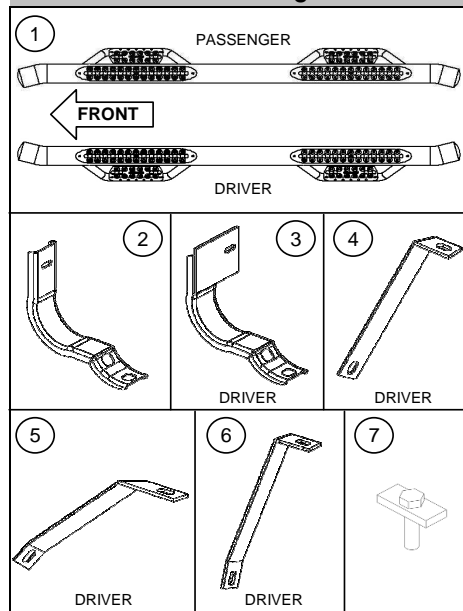
Parts List

Item	Qty.	Code	Description	Max. Torque
1 Kit D44097 DOMINATOR IV				
1	1 Set	D440970AA-0BA	Side bar Dominator IV	-
1 Kit BRK-D44-123 Hardware brackets kit				
2	4 Piece	D44-1230CA	Front and middle bracket	-
3	1 Set	D44-1230DA	Rear bracket	-
4	1 Set	D44-1232AA	Auxiliary front bracket	-
5	1 Set	D44-1232BA	Auxiliary middle bracket	-
6	1 Set	D44-1232CA	Auxiliary rear bracket	-
7	10 Piece	370200AA	3/8" Bolt plate	-
1 Kit KTE-D44-123 Hardware bolts kit				
8	12 Piece	-	5/16" x 1" Hex head bolt Zinc black	24 Lb.ft
9	12 Piece	-	5/16" Lock washer Zinc black	-
10	18 Piece	-	3/8" Flat washer Zinc black	-
11	6 Piece	-	2 1/2 x 5/16" Vinyl gasket	-
12	6 Piece	-	3/8 x 1" Hex head bolt Zinc black	30 Lb.ft
13	6 Piece	-	3/8" Lock washer Zinc black	-
14	6 Piece	-	3/8" Hex nut Zinc black	30 Lb.ft
15	10 Piece	-	3/8" Flat washer Zinc plate	-
16	10 Piece	-	3/8" Lock washer Zinc plate	-
17	10 Piece	-	3/8" Hex nut Zinc plate	30 Lb.ft

Required Tools (Not included)

Qty.	Description
1	1/2" Socket & 1/2" Wrench
1	9/16" Socket & 9/16" Wrench
1	7/16" Socket & 7/16" Wrench
1	Ratchet
1	Extension

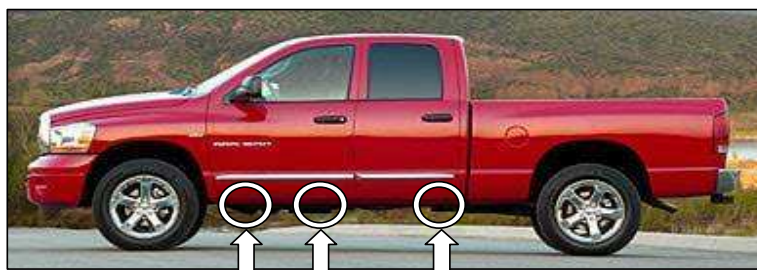
Product Image



Instructions

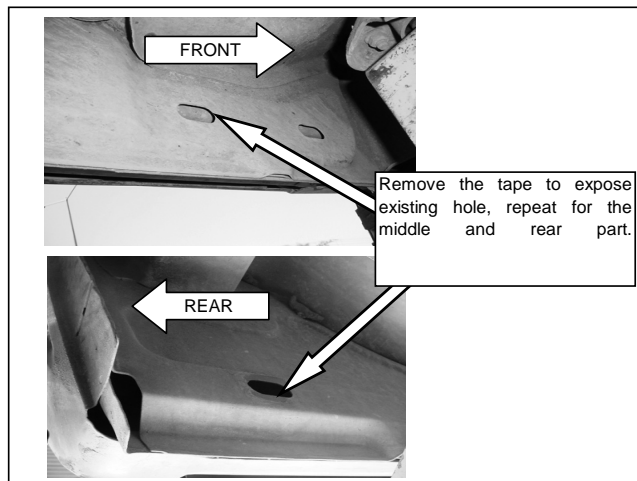
- 1.- Before beginning the installation, please read all directions carefully and verify that all necessary hardware is accounted for. If any parts are missing, stop the installation and contact your distributor immediately.
- 2.- To maintain and care this product keep it clean and do not use abrasive cleaners or polish waxes. We recommend to use only non-abrasive automotive wax such as pure carnauba to avoid scratches and rust.
- 3.- The approximate installation time is 45 min.
- 4.- To install front, middle & rear mounting brackets, driver side, locate in the rocker panel the holes covered in tape and remove the tape. Place (1) vinyl gasket to the bolt of the "T" plate then insert into the exposed hole. **SEE PICTURE 1 & 2.**

PICTURE 1.



In this part, install each of the passenger side bracket.

PICTURE 2.



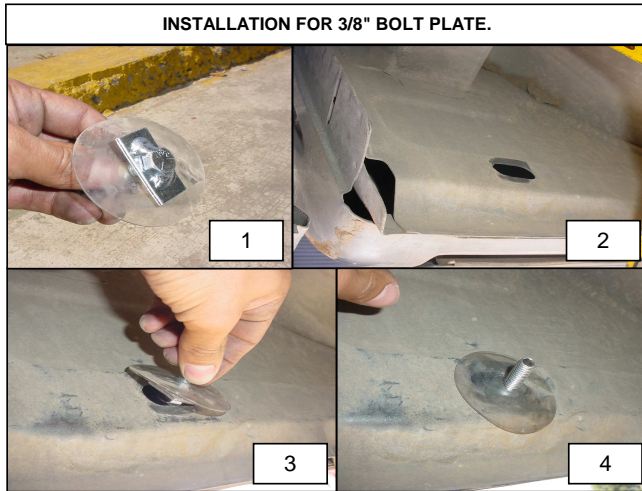
NOTE 1:

It is important to place vinyl gaskets to the bolts to prevent the 3/8" bolt plate from falling into the rocker panel. **SEE PICTURE 3.**

5.- Place (1) front mounting bracket attach to the 3/8" bolt plate previously placed using: 3/8" flat and lock washers and 3/8" hex nut. Leave loose. **SEE ILLUSTRATION 1.**

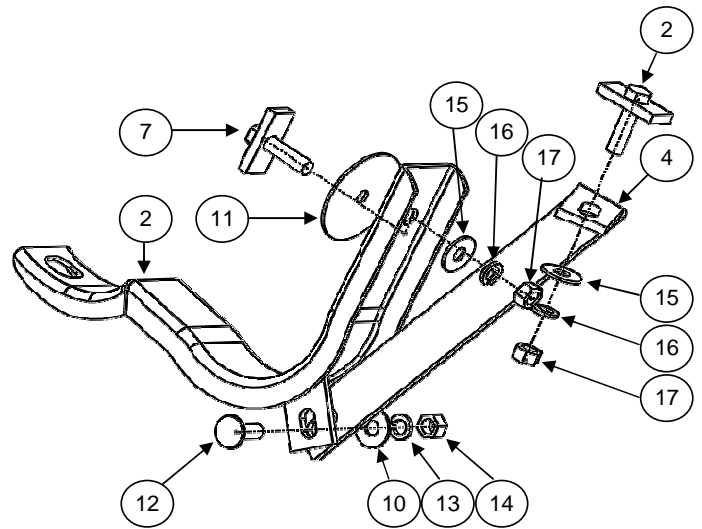
6.- To install auxiliary front mounting bracket, driver side, locate existing hole next to the cab's mounting support then insert through the hole 3/8" bolt plate. Place auxiliary front mounting bracket and secure to the 3/8" bolt plate using: 3/8" flat and lock washers and 3/8" hex nut. Secure the other end to front mounting bracket using 3/8 x 1" carriage head bolt, 3/8" flat and lock washers and 3/8" hex nut. **SEE ILLUSTRATION 1.** Leave loose.

PICTURE 3.



Use ratchet & 9/16" hex socket.

ILLUSTRATION 1.



Use ratchet & 9/16" hex socket.

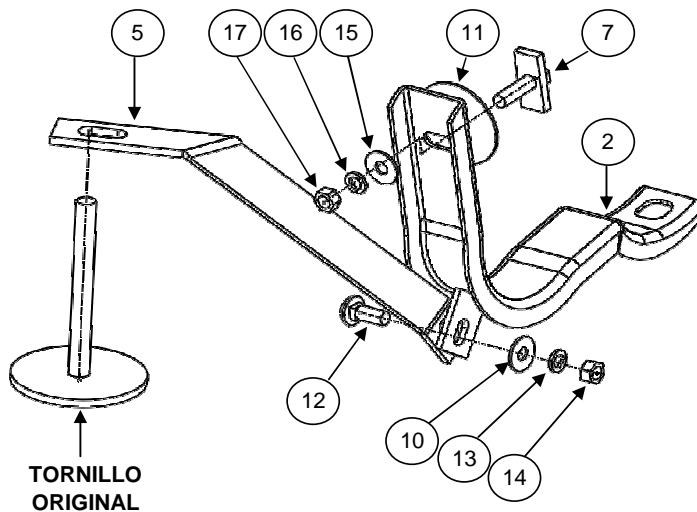
7.- Place (1) middle mounting bracket attach to the 3/8" bolt plate previously placed using: 3/8" flat and lock washers and 3/8" hex nut. Leave loose.

8.- Remove the support of the body mount, located in a flank of the frame, middle part, identify and you mount auxiliary brackets and attach with bolts before removed. Secure the other end to middle mounting bracket using 3/8 x 1" carriage head bolt, 3/8" flat and lock washers and 3/8" hex nut. **SEE ILLUSTRATION 2.** Leave loose.

9.- Place (1) rear mounting bracket driver side attach to the 3/8" bolt plate previously placed using: 3/8" flat and lock washers and 3/8" hex nut. Leave loose.

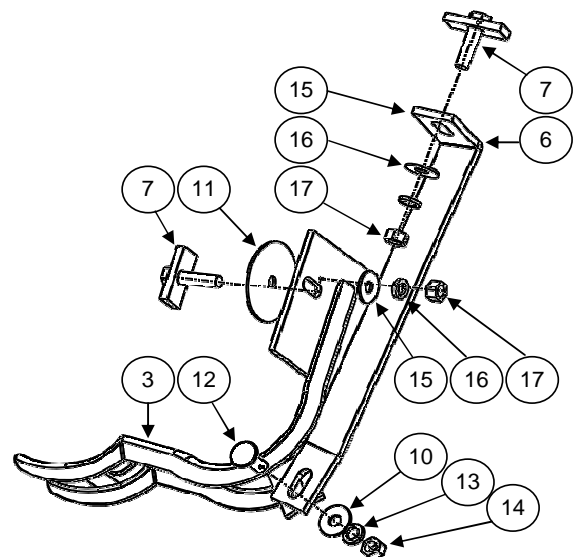
10.- To install auxiliary rear mounting bracket, driver side, locate existing hole next to cab's support. Introduce (1) 3/8" bolt plate then place rear auxiliary mounting bracket and secure to the bolt previously placed using 3/8" flat and lock washers and 3/8" hex nut. Secure the other end to the rear mounting bracket using 3/8 x 1" carriage head bolt, 3/8" flat and lock washers and 3/8" hex nut. **SEE ILLUSTRATION 3.** Leave loose.

ILLUSTRATION 2.



Use ratchet, extension & 9/16" & 18mm hex socket.

ILLUSTRATION 3.



Use ratchet & 9/16" hex socket.

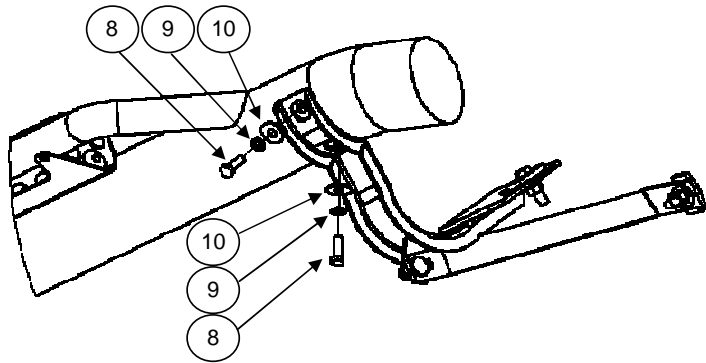
11.- Mount the side bar to the brackets and attach with: 5/16 x 1 1/4" hex head bolt, 3/8" flat washer, 5/16" lock washer. By each bracket. Leave loose. **SEE ILLUSTRATION 7 & 8.**

12.- Make any final adjustments to the alignment of the bracket and tighten all bolts.

Repeat the above steps to install the passenger side.

13.- Periodically check your product because it may need a re-tighten of bolts.

ILLUSTRATION 7.



Use ratchet & 1/2" hex socket.

ILLUSTRATION 8.

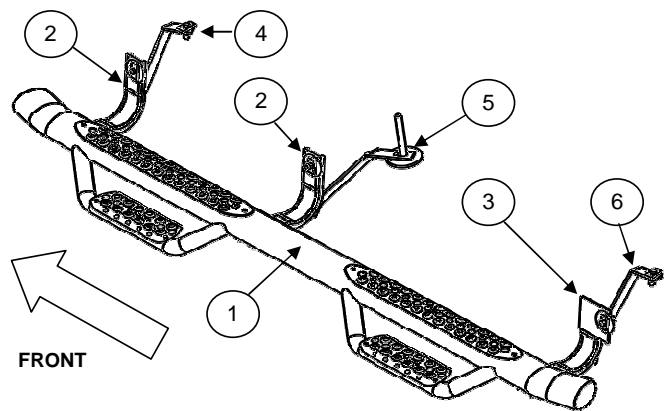


ILLUSTRATION DRIVER SIDE.

PICTURE 4.



DOMINATOR IV INSTALLED, DRIVER SIDE.