

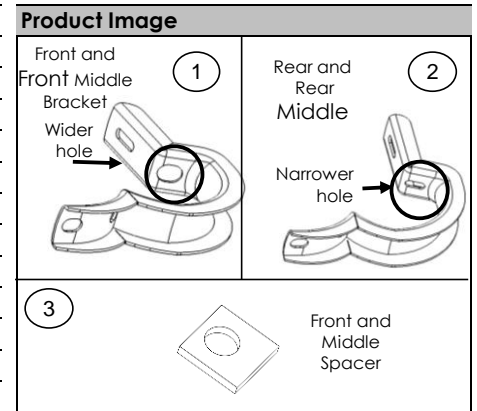
DOMINATOR D4

INSTALLATION INSTRUCTIONS

<p> OVAL SIDE BAR 4" D44048 </p>	<p> VEHICLE CHEVROLET SILVERADO/ CREW CAB 1500 </p>	<p> YEAR 2014 </p>
---	--	---

Parts List				
Item	Qty.	Code	Description	Max. Torque
1 Kit BRK-D44-203 Kit de brackets				
1	4 Piece	D44-2036BA	Front, Front Middle bracket.	-
2	4 Piece	D44-2036AA	Rear, Rear Middle bracket.	-
3	4 Piece	3912021AA	Spacer	-
1 Kit KTE-D44-201 Hardware bolts kit				
4	16 Piece	-	5/16" Hex head bolt.	11 Lb.ft
5	32 Piece	-	5/16" Lock washer.	-
6	16 Piece	-	M8 P1.25 Hex nut.	-
7	16 Piece	-	M8 x 25mm P1.25 Hex. Head bolt.	20 Lb.ft
8	8 Piece	-	M8 P1.25 Clip nut.	30 Lb.ft
9	40 Piece	-	3/8" Flat washer.	-
10	1 Set	-	Oval side bar widesider 4" (Passenger / Driver).	

Required Tools (Not included)	
Qty.	Description
1	1/2" Socket & 1/2" Wrench
1	13mm Socket & 13mm Wrench
1	Ratchet
1	Extension

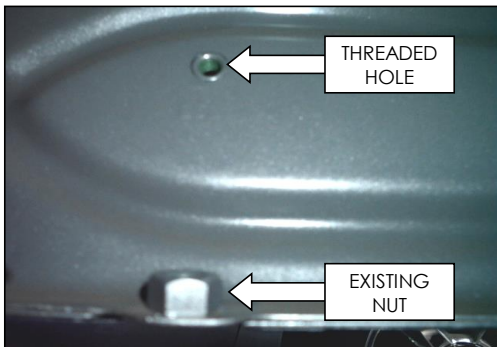


Instructions

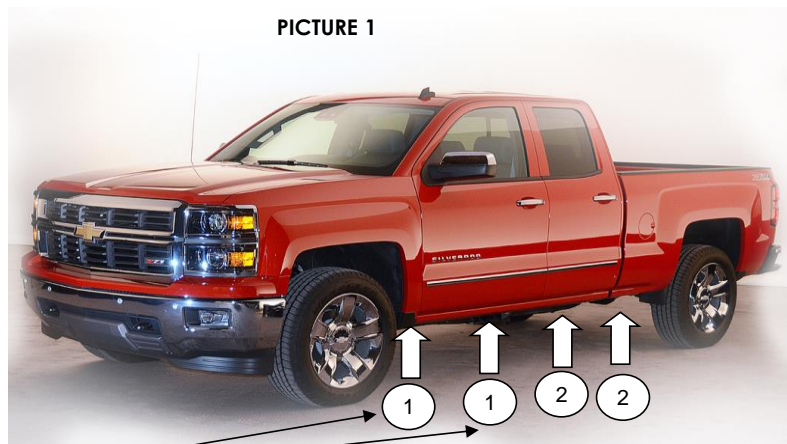
- 1.- Before beginning the installation, please read all directions carefully and verify that all necessary hardware is accounted for. If any parts are missing, stop the installation and contact your distributor immediately.
- 2.- To maintain and care this product keep it clean and do not use abrasive cleaners or polish waxes. We recommend to use only non-abrasive automotive wax such as pure carnauba to avoid scratches and rust.
- 3.- The approximate installation time is 45 min.
4. For **CREW CAB** models, locate in the Front , Midle and Rear in the rocker panel of the vehicle the hole ,there are you place the front and rear bracket,SEE PICTURE 1 .Only the front has threaded hole and nut ,SEE PICTURE 2

PICTURE 2

Image shown is for front and center.



PICTURE 1



Location of bracket

5. Inserting into the holes a M8 clip nut. **SEE PICTURE 3.** Place the bracket and attach according to the **ILLUSTRATION 1**

PICTURE 3

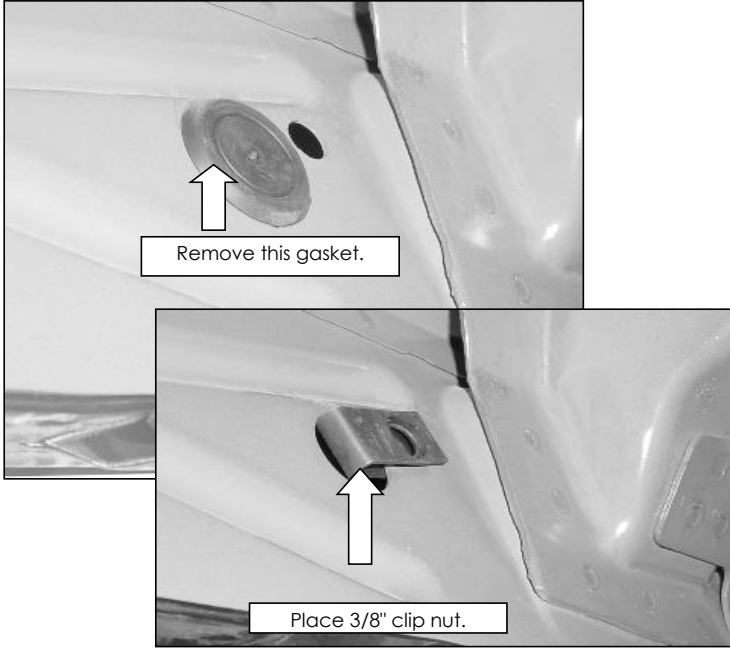
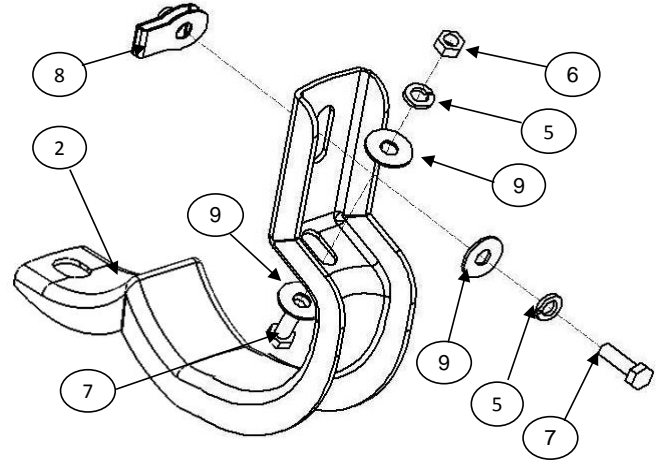
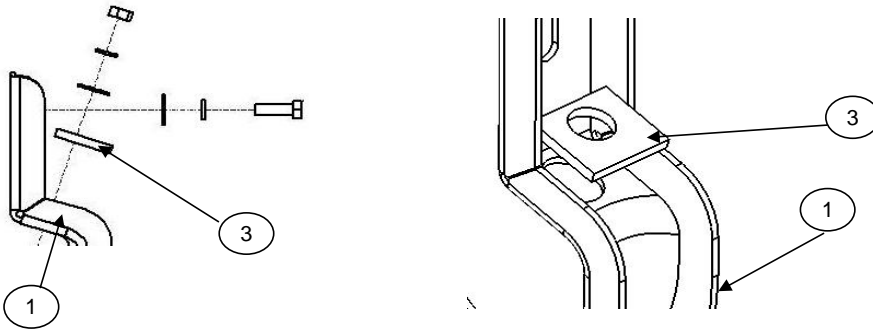


ILLUSTRATION 1



6. Place in the bracket Front the spacer as shown in **illustration 2, SEE PICTURE 4** Repeat for the opposite side.

ILLUSTRATION 2



PICTURE 4



7. Oval side bar 4", place on brackets and attach with: 5/16" hex head bolt, 3/8" Flat washer, and Flat lock 5/16" **SEE PICTURE 5** Repeat for the opposite side. Leave loose.

8. Align Running board Oval side 4" and then tighten all bolts.
9. Periodically check your product because it may need a re-tighten of bolts.

10. Fill the warranty card and place it inside your vehicle's glove box.

PICTURE 5

