

RUNNING BOARD 4" OVAL

INSTALLATION INSTRUCTIONS

OVAL SIDE BAR WIDESIDER 4"	VEHICLE	YEAR
D44045	CHEVROLET/GMC SILVERADO/SIERRA EXTENDED CAB 1500	07-13
	CHEVROLET/GMC SILVERADO/SIERRA EXTENDED CAB 2500HD, 3500HD	07-10
	CHEVROLET/GMC SILVERADO/SIERRA EXTENDED CAB 2500HD, 3500HD ONLY	10-14

Parts List					Required Tools (Not included)		
Item	Qty.	Code	Description	Max. Torque	Qty.	Description	
1 Kit BRK-D44-201 Kit de brackets					-		
1	4 Piece	D44-2016BA	Front, Front Middle bracket.	-	1	1/2" Socket & 1/2" Wrench	
2	4 Piece	D44-2016AA	Rear, Rear Middle bracket.	-	1	13mm Socket & 13mm Wrench	
3	4 Piece	3912021AA	Spacer	-	1	Ratchet	
1 Kit KTE-D44-201 Hardware bolts kit					-	1	Extension
4	16 Piece	-	5/16" Hex head bolt.	11 Lb.ft	Product Image 		
5	32 Piece	-	5/16" Lock washer.	-			
6	16 Piece	-	M8 P1.25 Hex nut.	-			
7	16 Piece	-	M8 x 25mm P1.25 Hex. Head bolt.	20 Lb.ft			
8	8 Piece	-	M8 P1.25 Clip nut.	30 Lb.ft			
9	40 Piece	-	3/8" Flat washer.	-			
10	1 Set	-	Oval side bar widesider 4" (Passenger / Driver).	-			

Instructions

- 1.- Before beginning the installation, please read all directions carefully and verify that all necessary hardware is accounted for. If any parts are missing, stop the installation and contact your distributor immediately.
- 2.- To maintain and care this product keep it clean and do not use abrasive cleaners or polish waxes. We recommend to use only non-abrasive automotive wax such as pure carnauba to avoid scratches and rust.
- 3.- The approximate installation time is 45 min.
4. For **EXTENDED CAB** models, locate in the Front , Middle and Rear in the rocker panel of the vehicle the hole ,there are you place the front and rear bracket,SEE PICTURE 1 .Only the front has threaded hole and nut ,SEE PICTURE 2

PICTURE 1.

Location of bracket



PICTURE 2
Image shown is for front and center.

5. Inserting into the holes a M8 clip nut. **SEE PICTURE 3.** Place the bracket and attach according to the **ILLUSTRATION 1**

PICTURE 3

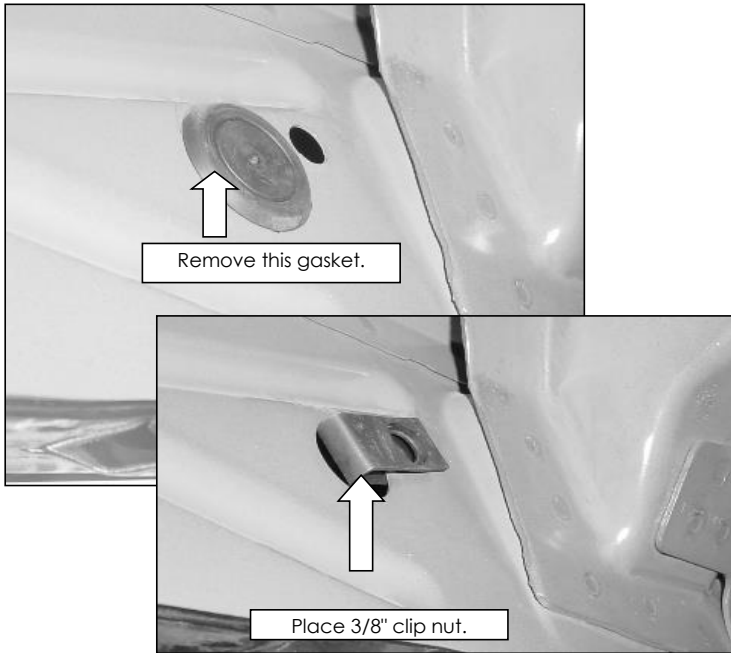
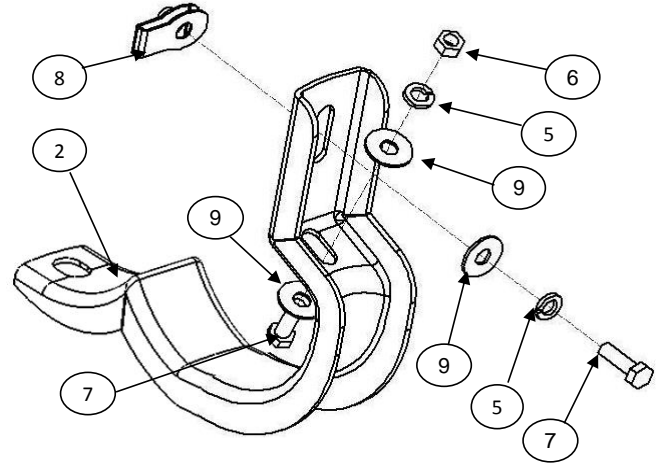


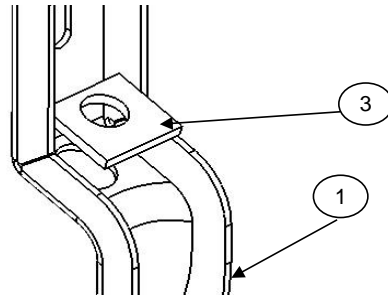
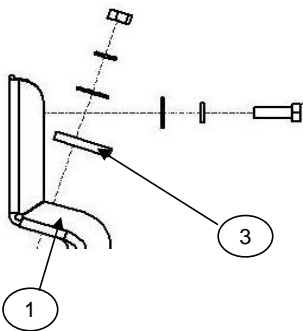
ILLUSTRATION 1



6. Place in the bracket Front the spacer as shown in **illustration 2, SEE PICTURE 4** Repeat for the opposite side.

ILLUSTRATION 2

PICTURE 4



7. Oval side bar 4", place on brackets and attach with: 5/16" hex head bolt, 3/8" Flat washer, and Flat lock 5/16" **SEE PICTURE 5** Repeat for the opposite side. Leave loose.

8. Align Running board Oval side 4" and then tighten all bolts.

9. Periodically check your product because it may need a re-tighten of bolts.

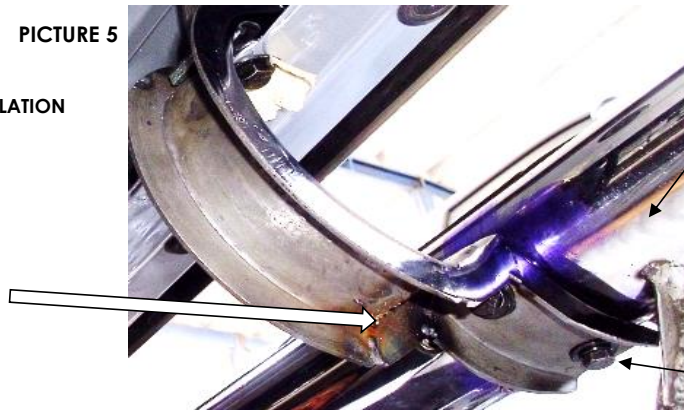
10. Fill the warranty card and place it inside your vehicle's glove box.

PICTURE 5

OVAL SIDE BAR 4" INSTALLATION

RUNNING BOARD 4" OVAL

BRACKET



5/16" hex head bolt, 3/8" Flat washer, and Flat lock 5/16"