

INSTALLATION INSTRUCTIONS

A type MAIN BAR

90001, 91001, 91501, 92001, 93001, 94001, 95001, 96001, 97001 y 98001

PS/B/C

Parts List:

- a)** 1- LEG Driver side
- b)** 1- LEG Passenger side
- c)** 1- Cross Bar
- d)** 2- Mounting plate
- e)** 2- Tube spacer
- (1) Hardware kit includes:**
- f)** 8- Plastic flat washer
- g)** 2- Round plastic gasket
- h)** 2- Rectangle plastic gasket

- i)** 4- Plastic cover
- 4- 3/8 x 5" Carriage bolt
- 8- 3/8 x 1 1/2" Flat washer
- 8- 3/8" Nut
- 8- 3/8 x 1 1/2" Carriage bolt
- 2- 3/8 x 1 1/2" Flat head bolt
- 2- 3/8x5 1/2x2" Hex head bolt
- 2- 3/8" Flat washer
- 2- Whrite plastic washer

Not Includes:

- B type Main bar**
- Kicker**

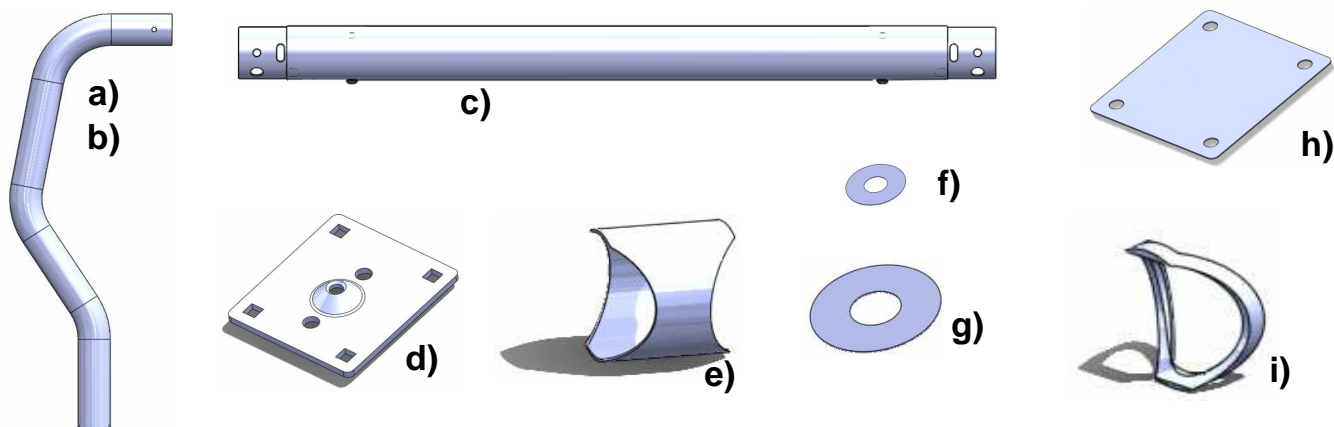
Required tools:

- 9/16" Wrench Hand drill Pencil
- 7/32" Allen wrench 7/16" Bit

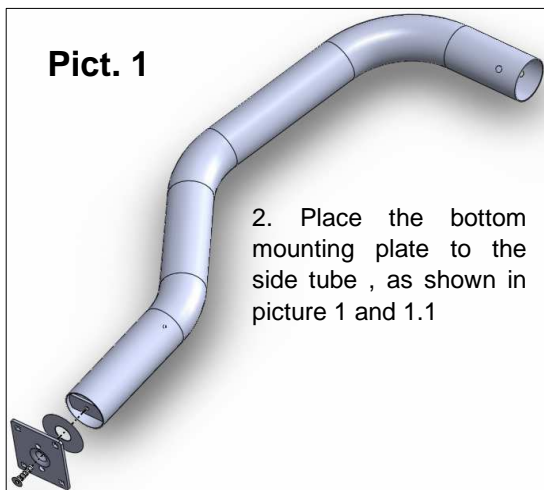
Instructions:

Aprox. Installation time: 50 min.

1. Read carefully and understand instructions before beginning installation. If you can not find any listed part, please stop installation and call to your distributor to get the missing parts, **on the last page mentions Main Bar B and Kicker, these accessories are sold separately.**

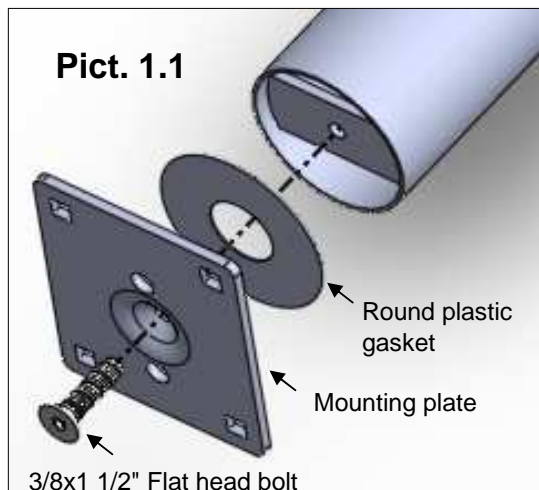


Pict. 1



2. Place the bottom mounting plate to the side tube, as shown in picture 1 and 1.1

Pict. 1.1



Cleaning and care instructions:

Keep your product clean. Do not use abrasive cleaners or polish. We recommend only non-abrasive automotive wax such as pure carnauba to avoid scratches or rust.

Design:

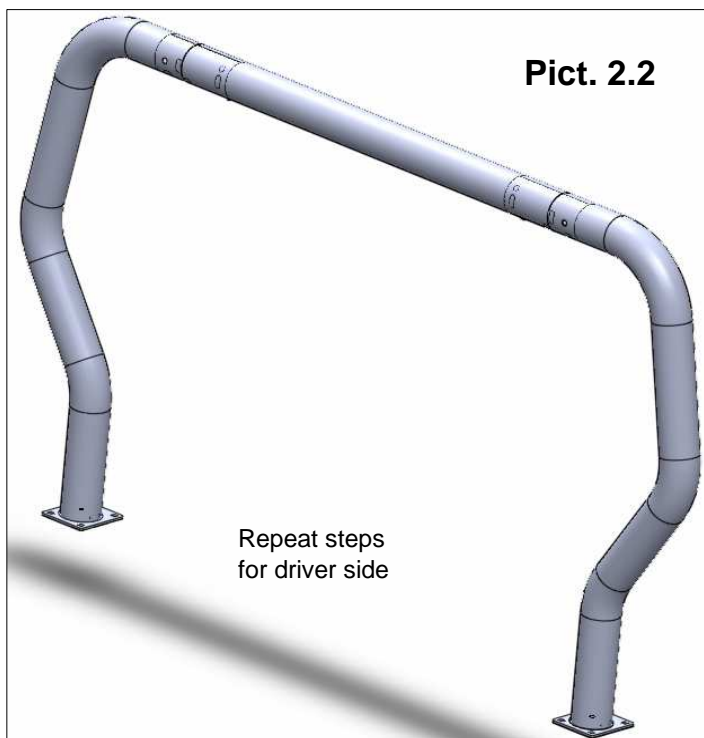
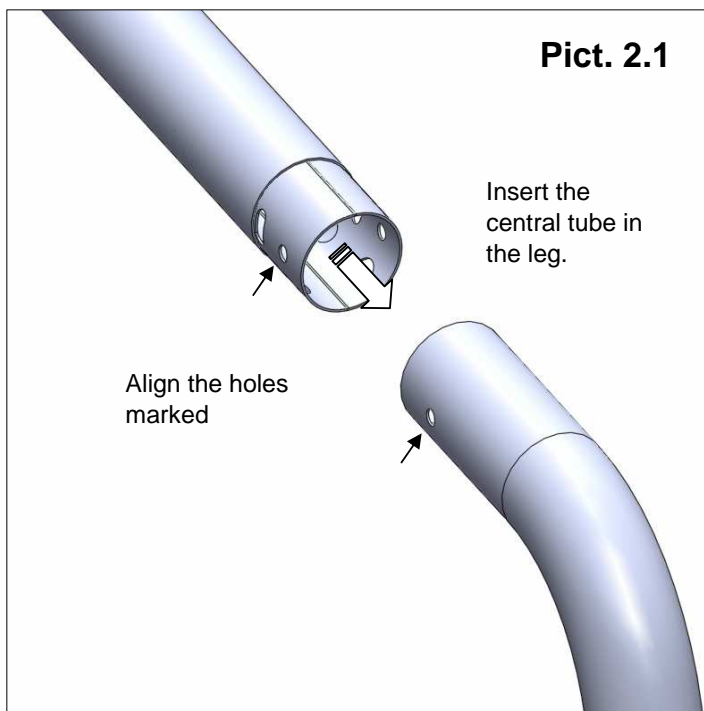
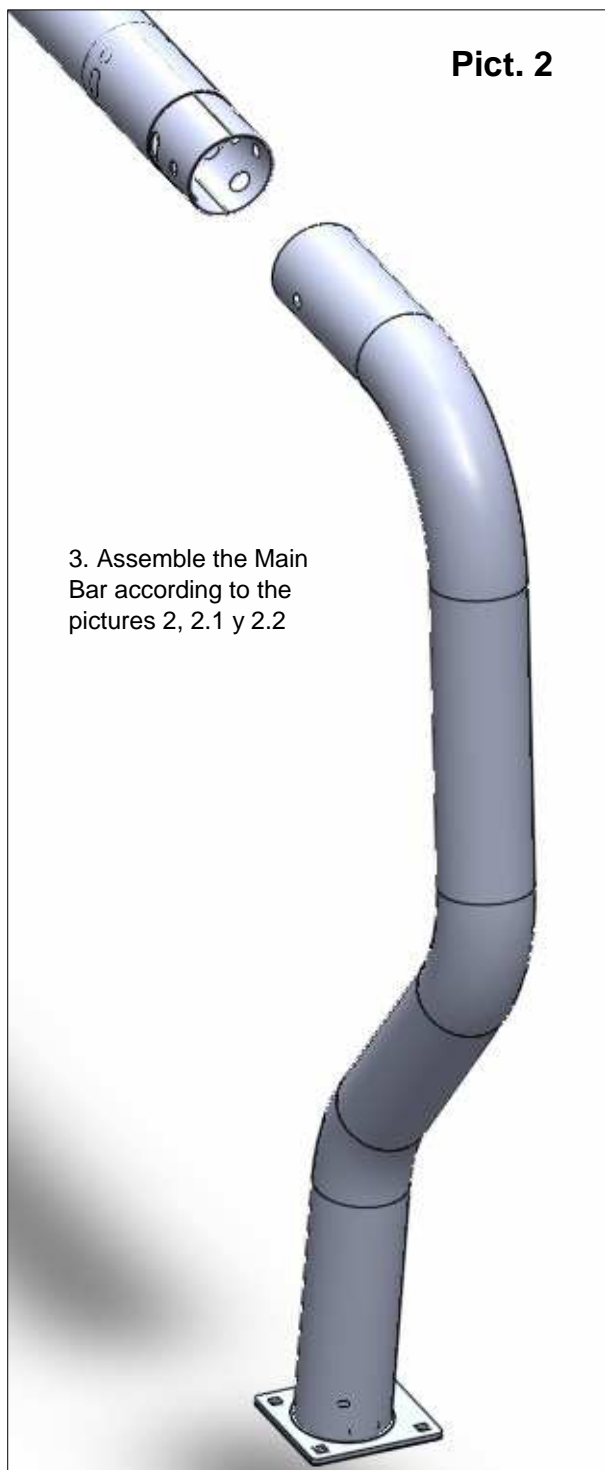
Quality:

INSTALLATION INSTRUCTIONS

A type MAIN BAR

90001, 91001, 91501, 92001, 93001, 94001, 95001, 96001, 97001 y 98001

PS/B/C



Cleaning and care instructions:

Keep your product clean. Do not use abrasive cleaners or polish. We recommend only non-abrasive automotive wax such as pure carnauba to avoid scratches or rust.

Design:

Quality:

INSTALLATION INSTRUCTIONS

A type MAIN BAR

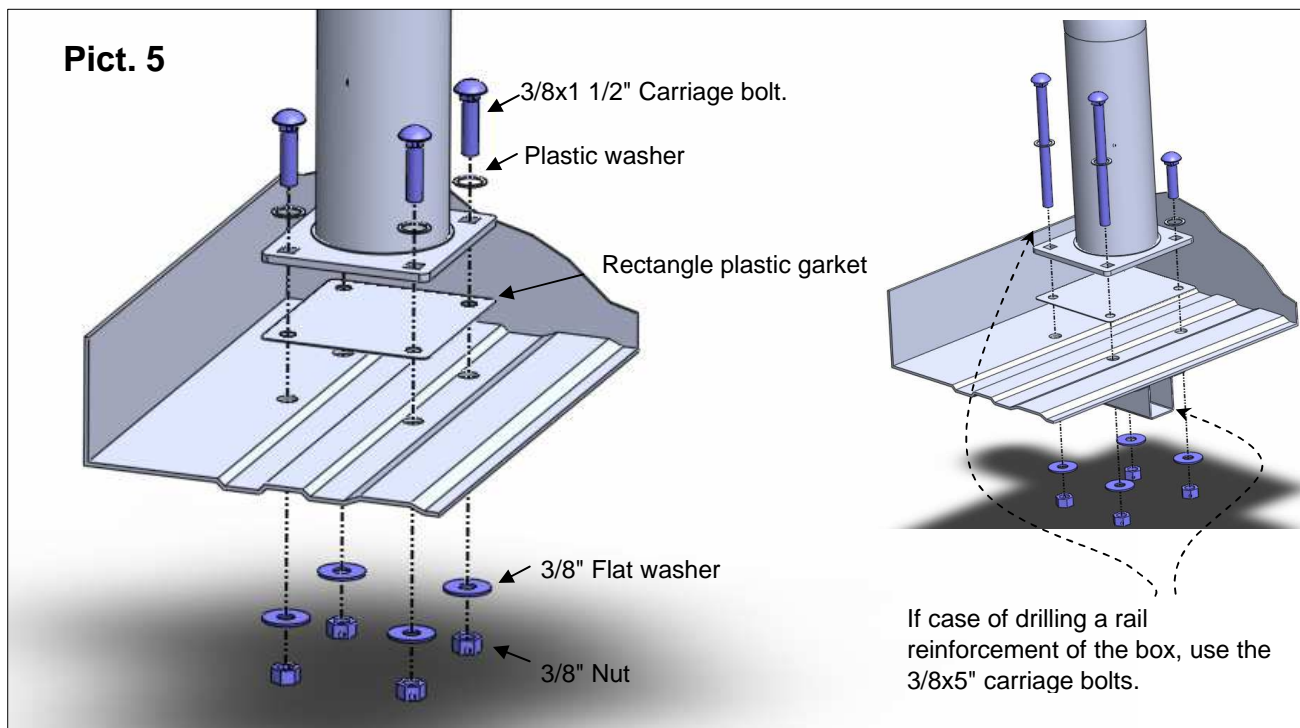
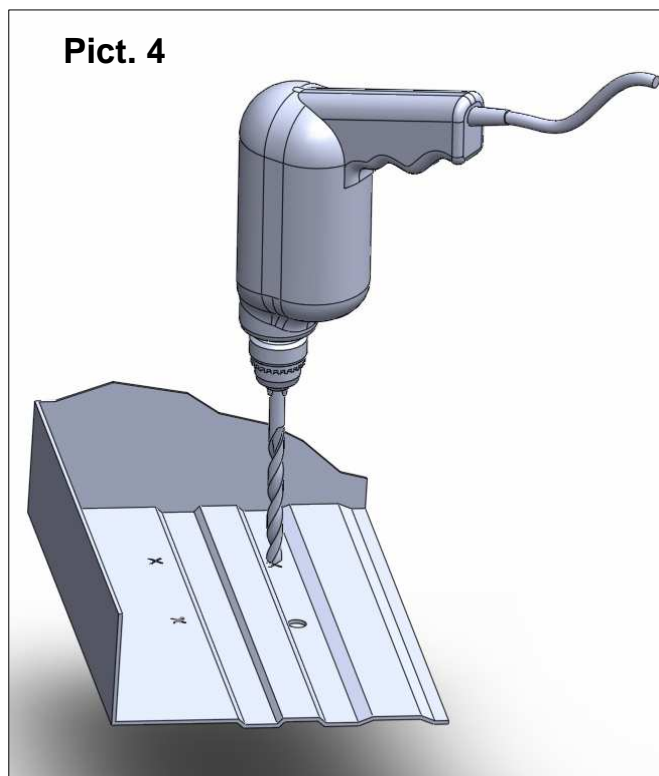
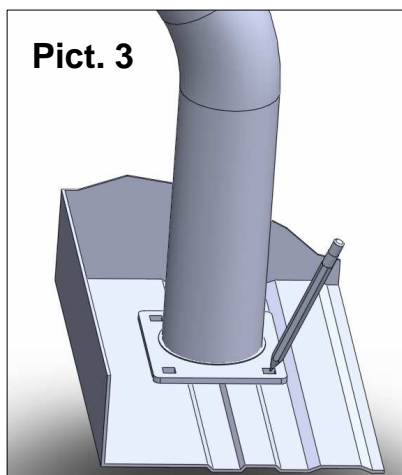
90001, 91001, 91501, 92001, 93001, 94001, 95001, 96001, 97001 y 98001

PS/B/C

3. Place the frame on the floor of the box, with a pencil mark the locations. to set main bar on both sides of the truck pict 3

4. Remove the Main bar and drill 7/16" holes pict 4

5. Relocate the Main bar, and attach it to the floor of the box. Pict 5



Cleaning and care instructions:

Keep your product clean. Do not use abrasive cleaners or polish. We recommend only non-abrasive automotive wax such as pure carnauba to avoid scratches or rust.

Design:

Quality:

INSTALLATION INSTRUCTIONS

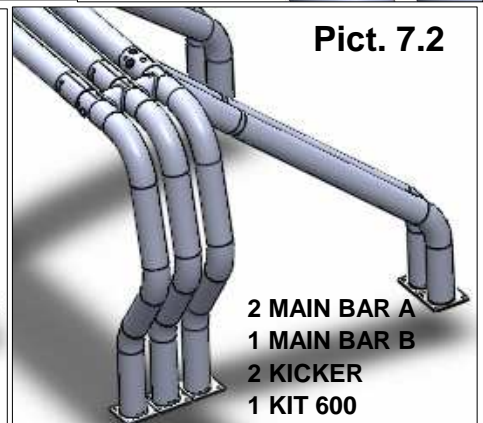
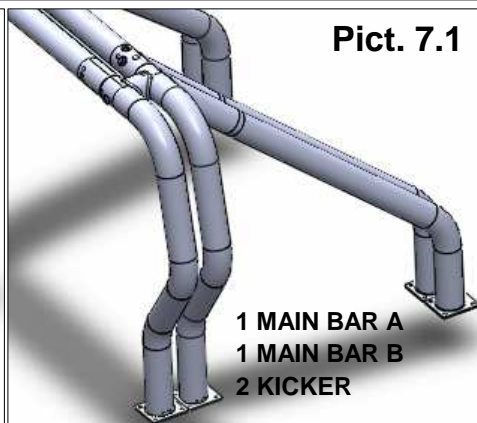
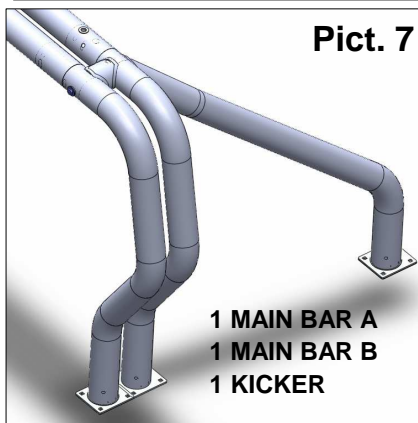
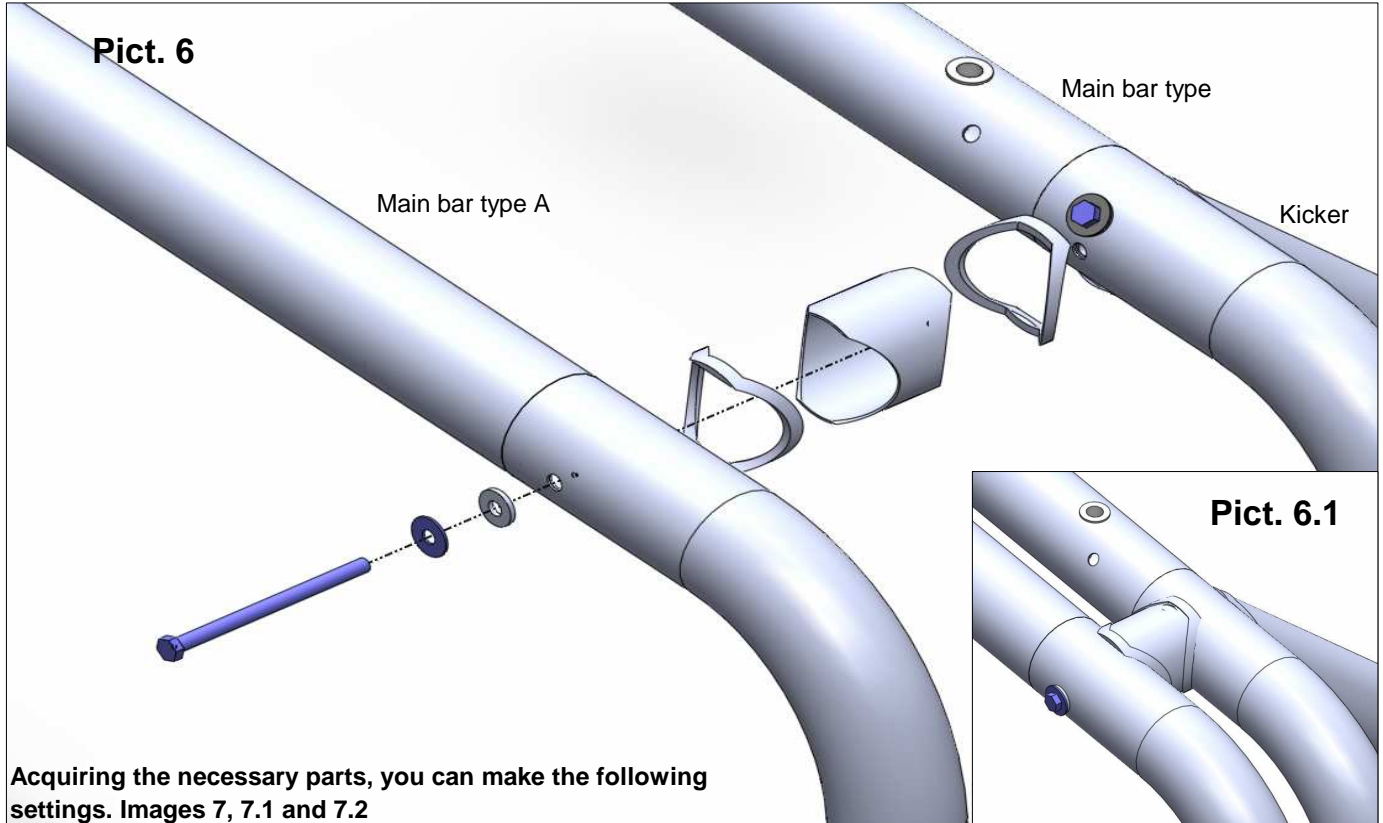
A type MAIN BAR

90001, 91001, 91501, 92001, 93001, 94001, 95001, 96001, 97001 y 98001

PS/B/C

6. Follow the instructions contained in the B Bar B to assemble, and to keep the armed continue with step 7.

7. 6 and 6.1 The image shows you how to assemble your Bed Bar with a Type A Type B



8. Align Bed Bar, and then tighten all bolts, from bottom to up.

9. Periodically it may need a bolts re-tighten.

10. Fill out the warranty card and place it inside your vehicle's glove box.

Cleaning and care instructions:

Design:

Quality:

Keep your product clean. Do not use abrasive cleaners or polish. We recommend only non-abrasive automotive wax such as pure carnauba to avoid scratches or rust.