

INSTALLATION INSTRUCTIONS

MAIN BAR TIPO B

90002, 91002, 91502, 92002, 93002, 94002, 95002, 96002, 97002 y 98002

PS/B/C

Parts List:

a) 1- Driver Leg

b) 1- Passenger Leg

c) 1- Cross bar

d) 2- Mounting plate

(1) Hardware kit includes:

e) 8- Small plastic washer

f) 2- Round plastic gasket

g) 2- Rectangle plastic gasket

h) 2- 7/16" X 1 1/8 Rubber cap

i) 4- 7/16" Plastic cap

8- 3/8x1 1/2" Flat washer

8- 3/8" Hex nut

4- 3/8x 1 1/2" Carriage bolt

4- 3/8x 5" Carriage bolt

2- White plastic washer

2- 3/8x1" Hex head bolt

2- 3/8x1 1/2" Flat head bolt

2- 3/8" Flat washer

Not Includes:

Kicker

Required tools:

9/16" Wrench

Hand drill

Pencil

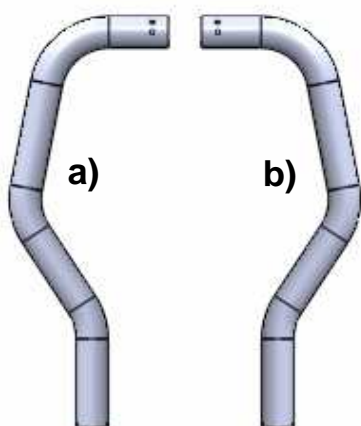
7/32" allen Wrench

7/16" Bit

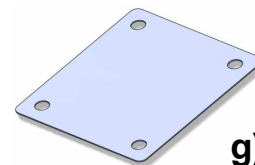
Instructions:

Aprox. Installation time: 50 min.

1. Read carefully and understand instructions before beginning installation. If you can not find any listed part, please stop installation and call to your distributor to get the missing parts.



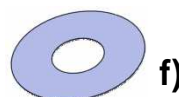
c)



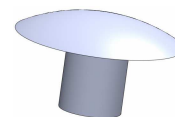
g)



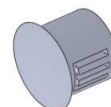
e)



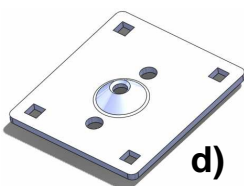
f)



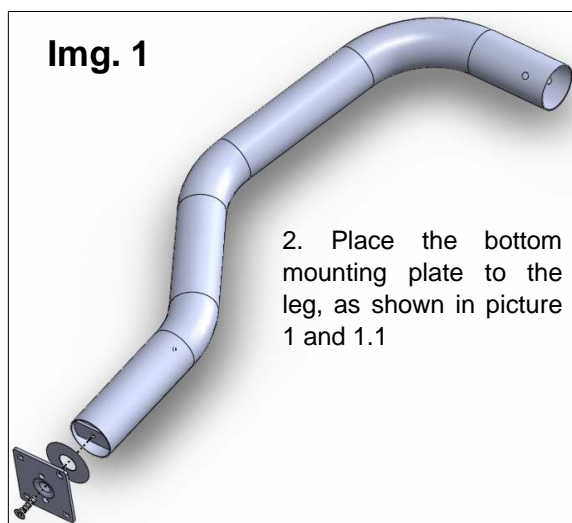
h)



i)

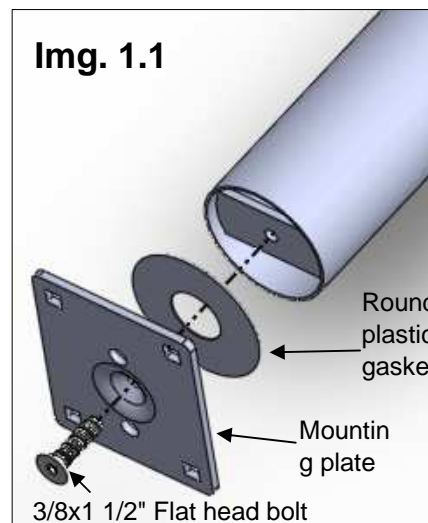


d)



Img. 1

2. Place the bottom mounting plate to the leg, as shown in picture 1 and 1.1



Img. 1.1

Round plastic gasket

Mounting plate

3/8x1 1/2" Flat head bolt

Cleaning and care instructions:

Keep your product clean. Do not use abrasive cleaners or polish. We recommend only non-abrasive automotive wax such as pure carnauba to avoid scratches or rust.

Design:

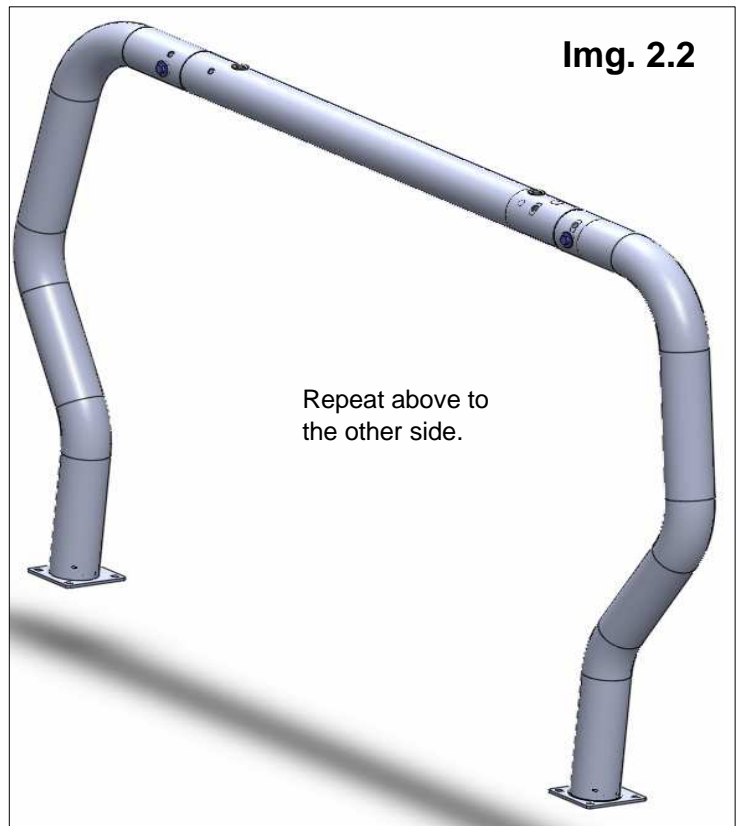
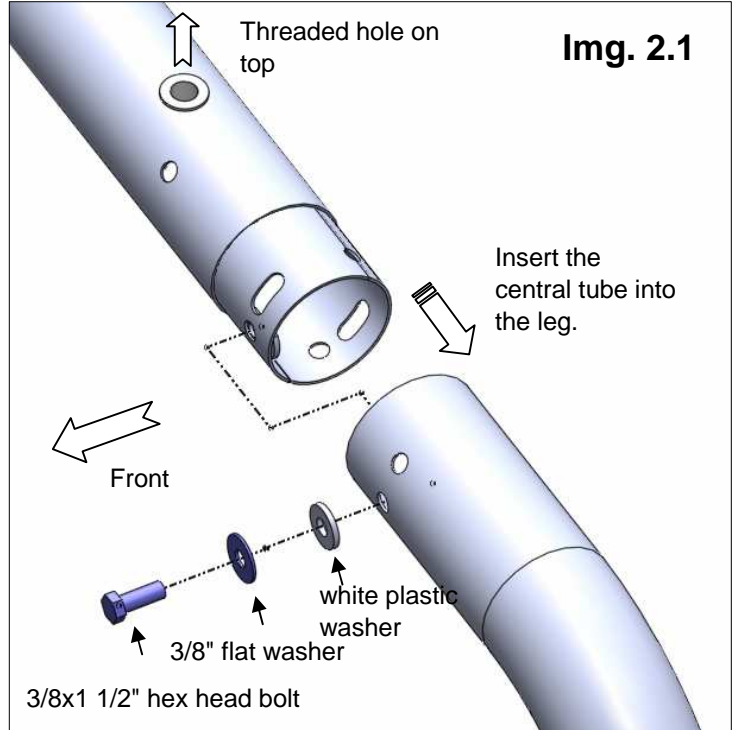
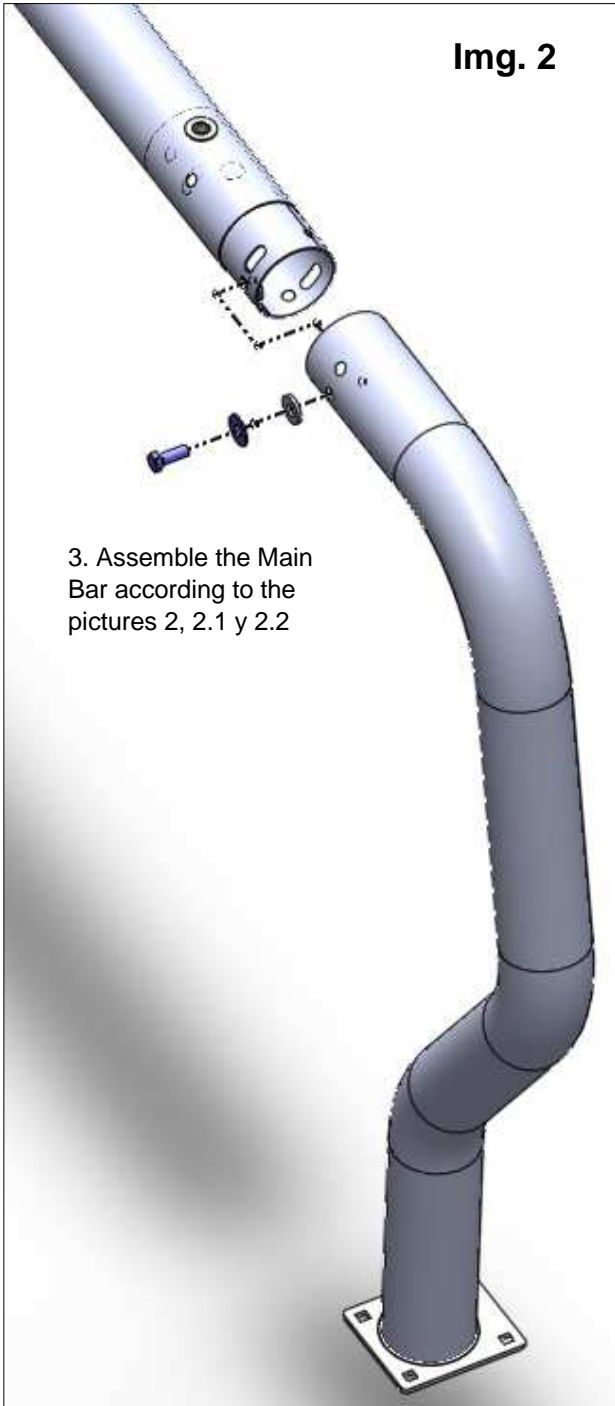
Quality:

INSTALLATION INSTRUCTIONS

MAIN BAR TIPO B

90002, 91002, 91502, 92002, 93002, 94002, 95002, 96002, 97002 y 98002

PS / B / C



Cleaning and care instructions:

Keep your product clean. Do not use abrasive cleaners or polish. We recommend only non-abrasive automotive wax such as pure carnauba to avoid scratches or rust.

Design:

Quality:

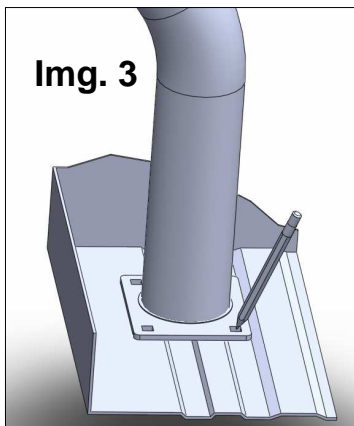
INSTALLATION INSTRUCTIONS

MAIN BAR TIPO B

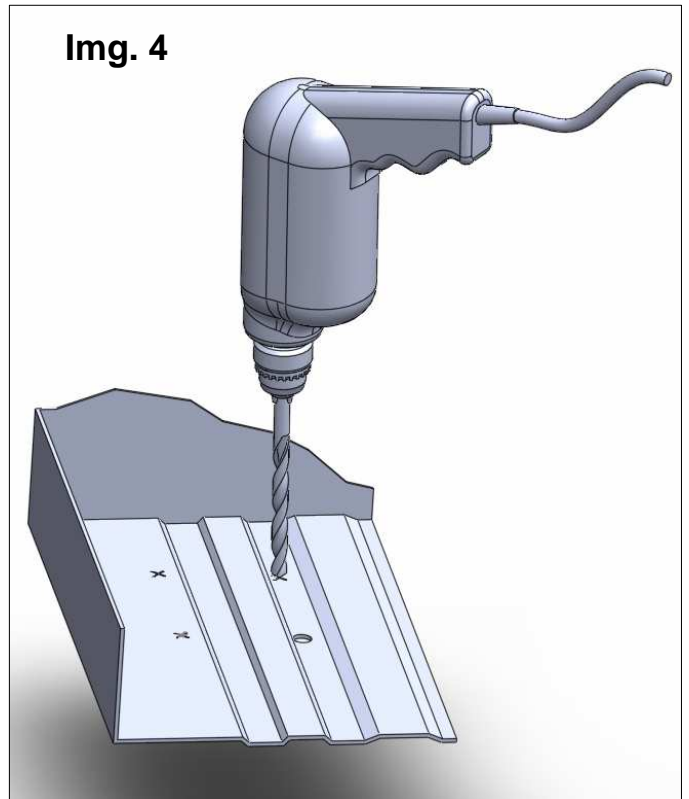
90002, 91002, 91502, 92002, 93002, 94002, 95002, 96002, 97002 y 98002

PS/B/C

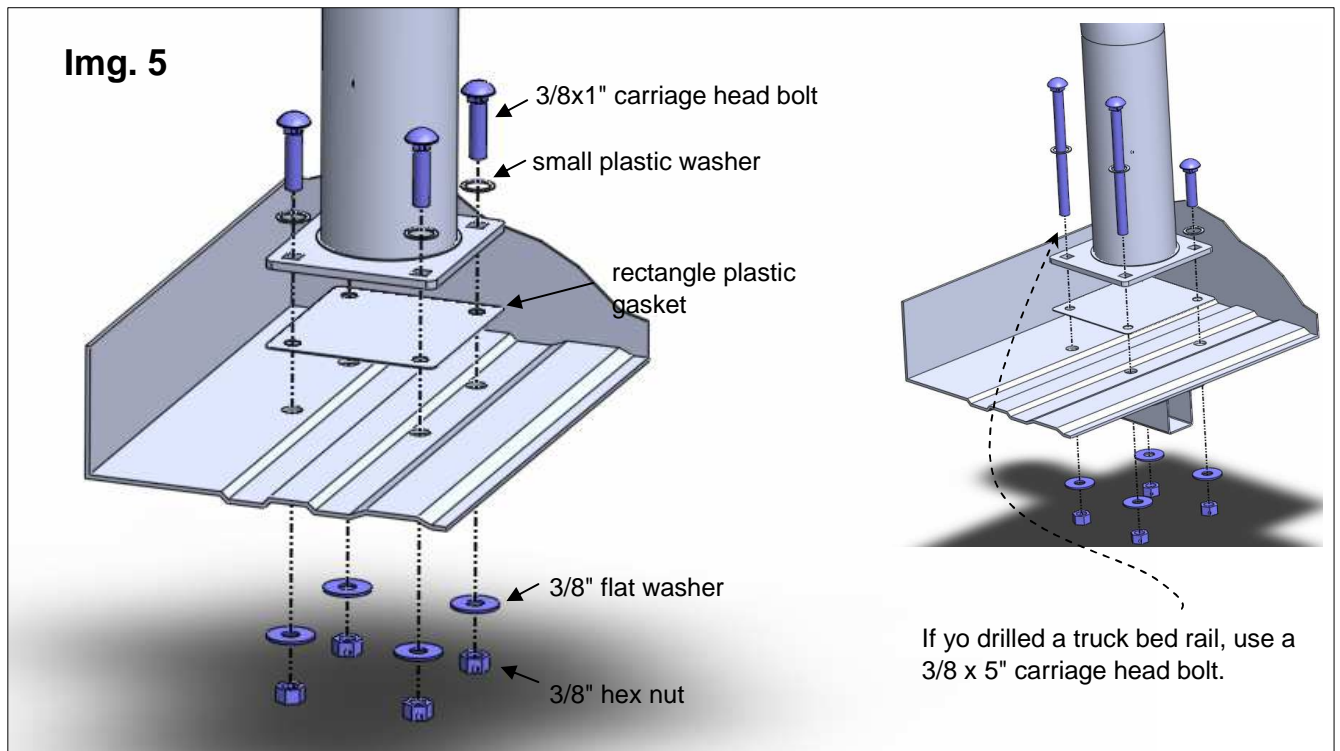
4. Place bar assembly onto the truck bed floor and mark with a pencil the holes to drill at driver and passenger side. Image 3.
5. Proceed to drill where the marks were made. Image 4.
6. Place the bar assembly and secure to the vehicle using 3/8 x 1" carriage head bolt and corresponding hardware. Image 5



Img. 3



Img. 4



Img. 5

Cleaning and care instructions:

Keep your product clean. Do not use abrasive cleaners or polish. We recommend only non-abrasive automotive wax such as pure carnauba to avoid scratches or rust.

Design:

Quality:

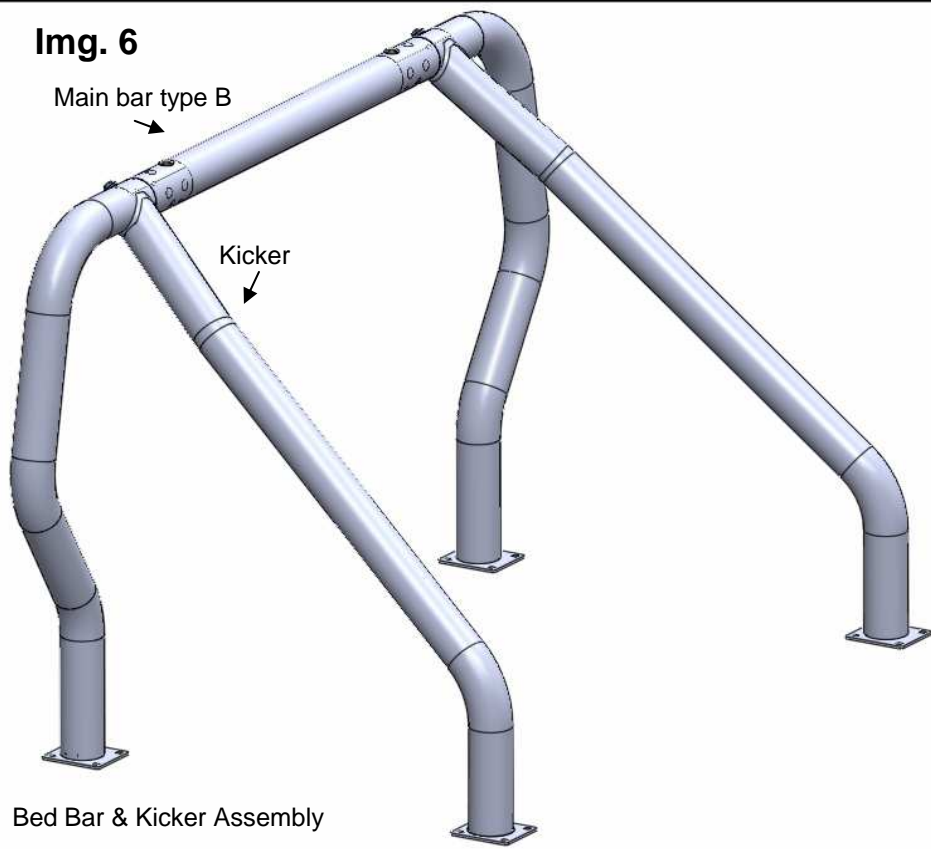
INSTALLATION INSTRUCTIONS

MAIN BAR TIPO B

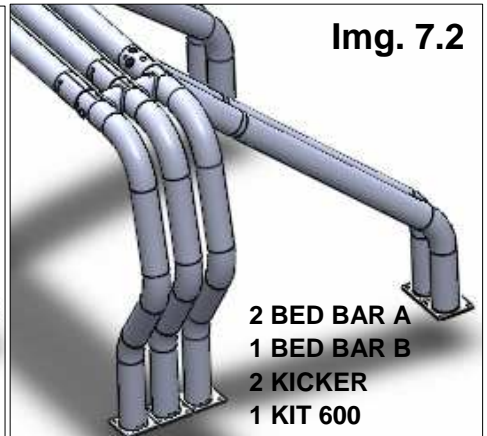
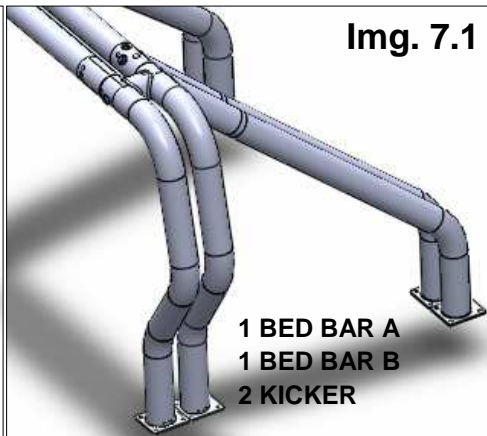
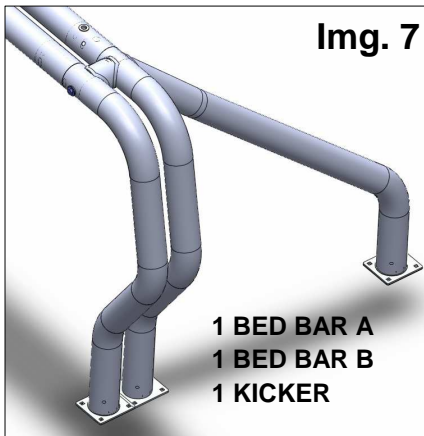
90002, 91002, 91502, 92002, 93002, 94002, 95002, 96002, 97002 y 98002

PS / B / C

Img. 6



Acquiring the necessary parts, you can make the following settings. Images 7, 7.1 y 7.2



8. Make any final adjustment to Bed Bar & Kicker alignment and then tighten all bolts from bottom to up.

9. Periodically it may need a bolts re-tighten.

10. Fill out the warranty card and place it inside your vehicle glove box

Cleaning and care instructions:

Design:

Quality:

Keep your product clean. Do not use abrasive cleaners or polish. We recommend only non-abrasive automotive wax such as pure carnauba to avoid scratches or rust.