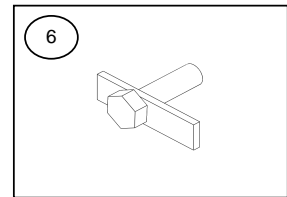
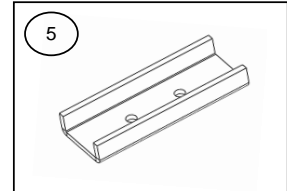
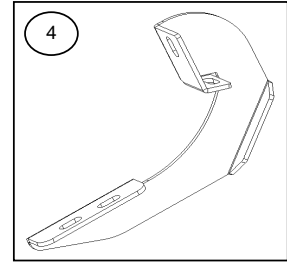


**INSTALLATION INSTRUCTIONS**  
**RB10 SIDE STEPS PART # 63415087T**  
**2004-2014 FORD F-150 SUPER CREW**

**Do not attempt to install this product on any vehicle other than the one listed above!**

**PARTS LIST**

| ITEM | QTY. | PART #      | DESCRIPTION                             | TORQUE   |
|------|------|-------------|---|----------|
| 1    | 1    | 630087T     | RB10 Side Steps passenger               | -        |
| 2    | 1    | 630087T     | RB10 Side Steps driver                  | -        |
| 3    | 1    | BRK-6341265 | Hardware brackets kit                   | -        |
| 4    | 6    | 6341264AA   | Bracket                                 | -        |
| 5    | 6    | 6300874AA   | U bracket                               | -        |
| 6    | 2    | 371980EA    | 3/8" Bolt plate                         | 30 Lb.ft |
| 7    | 1    | KTE-634126  | Hardware kit                            | -        |
| 8    | 12   | -           | 5/16 x 1" Hex head bolt black plated    | 11 Lb.ft |
| 9    | 12   | -           | 5/16" Flat washer black plated          | -        |
| 10   | 12   | -           | 5/16" Lock washer black plated          | -        |
| 11   | 6    | -           | 3/8" Clip nut black plated              | 30 Lb.ft |
| 12   | 6    | -           | 3/8 x 1 1/4" Hex head bolt zinc plated  | 30 Lb.ft |
| 13   | 6    | -           | 3/8 x 1" Carriage head bolt zinc plated | 30 Lb.ft |
| 14   | 12   | -           | 3/8" Flat washer zinc plated            | -        |
| 15   | 12   | -           | 3/8" Lock washer zinc plated            | -        |
| 16   | 8    | -           | 3/8" Hex nut zinc plated                | 30 Lb.ft |
| 17   | 2    | -           | 3/8" Gasket vinyl                       | -        |



**ASSEMBLY & INSTALLATION TOOLS REQUIRED:**

- 1/2" Socket & 1/2" Wrench
- 9/16" Socket & 9/16" Wrench
- Ratchet
- Extension.

**Approximate installation time: 40 min.**

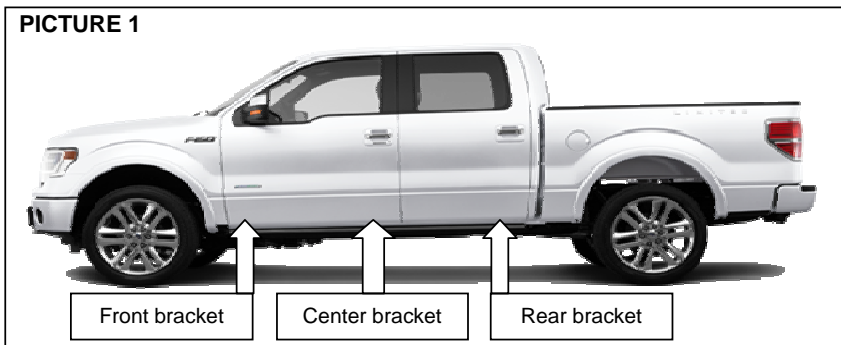
Read the assembly and installation instructions completely and verify that all of the parts listed are accounted for. If you have defective, missing or damaged parts or need assistance, please contact Go Rhino Products for fast, friendly customer service at: 1-888-427-4466 or email: [warranty@gorhino.com](mailto:warranty@gorhino.com)

It is the customer's responsibility to protect the finish with a regular application of a nonabrasive polish compatible with the products finish. **NOTE: LOOK THE POSITION BEFORE INSTALLING THE BRACKETS.**

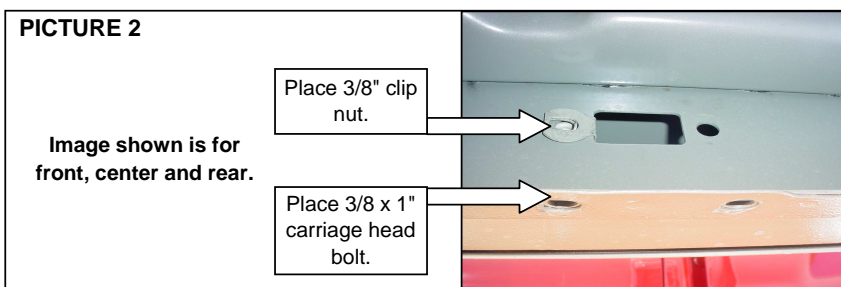
**INSTALLATION**

**Step-1** Located holes inside the body of vehicle, front, middle, rear, **see picture 1 & 2**, place a 3/8" clip nut in upper part. Mount bracket and attach with: 3/8 x 1 1/4" hex head bolt, 3/8" flat and lock washers. In lower part attach with: 3/8 x 1" carriage head bolt, 3/8" flat and lock washers, 3/8" hex nut. **SEE ILLUSTRATION 1.** Leave loose. Repeat in opposite side.

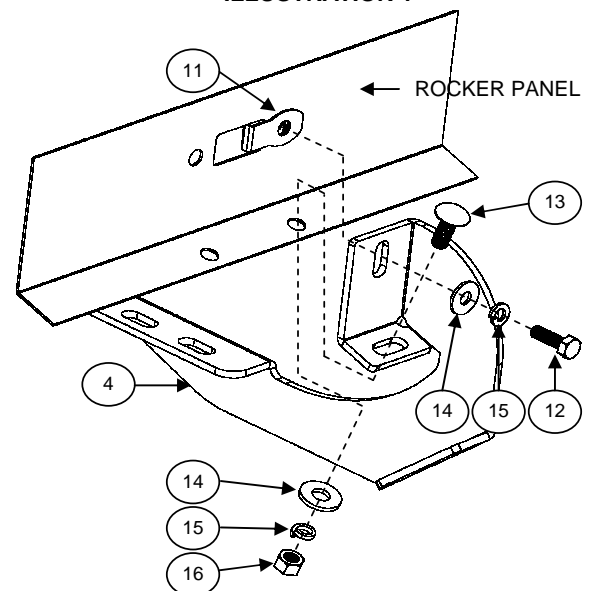
**PICTURE 1**



**PICTURE 2**



**ILLUSTRATION 1**



Use wrench, ratchet, hex socket 9/16".

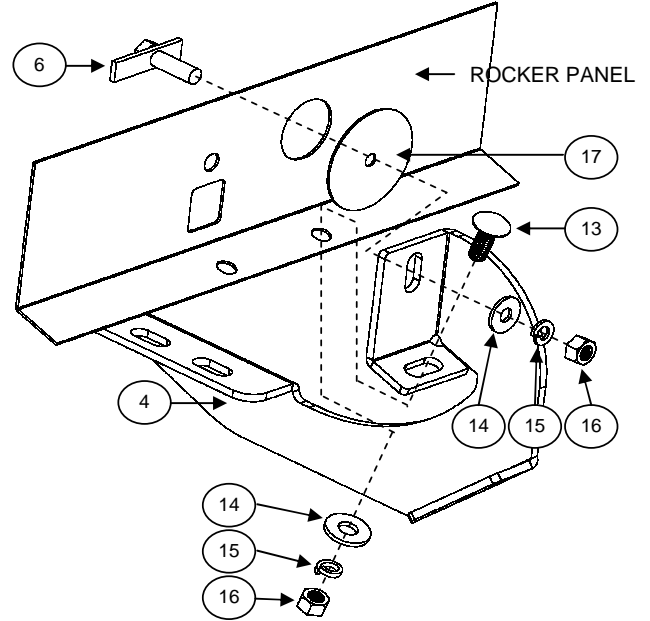
**NOTA:** Models 2009 - 2010 insert 3/8" bolt plate, gasket vinyl, middle part, attach with: 1 3/8" flat and lock washers, 3/8" hex nut. In lower part attach with: 3/8 x 1" carriage head bolt, 3/8" flat and lock washers, 3/8" hex nut. **SEE PICTURE 3 & ILLUSTRATION 2.** Leave loose. Repeat in opposite side.

**PICTURE 3**



In models 09 - 10 middle part. Passenger side shown.

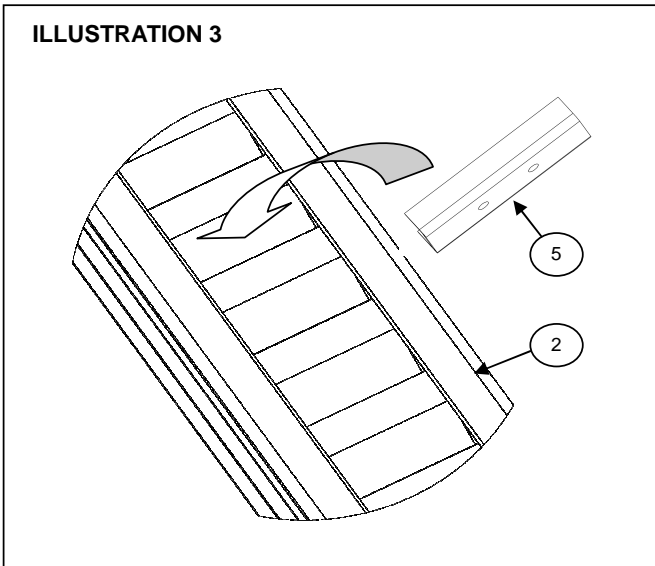
**ILLUSTRATION 2**



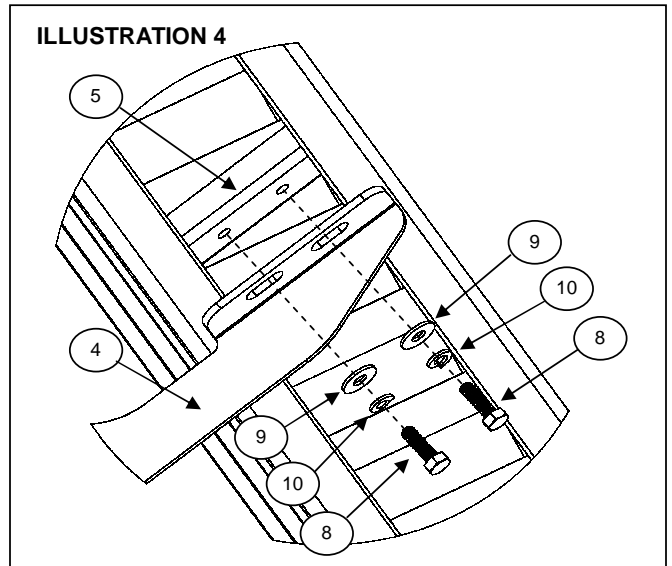
9/16" Use wrench, ratchet, hex socket.

**Step-2** Place the U bracket and attach with: 5/16" hex head bolt, 5/16" Flat and lock washer (black plated), by each bracket. **SEE ILLUSTRATION 3 & 4.** Repeat for the opposite side. Leave loose.

**ILLUSTRATION 3**



**ILLUSTRATION 4**



Use ratchet & 1/2" hex socket.

**Step-3** Align the side bar and then tighten all bolts.

**Step-4** Periodically check your product because it may need a re-tighten of bolts.

**Step-5** Fill the warranty card and place it inside your vehicle's glove box.