

INSTALLATION INSTRUCTIONS

4418

99 – 06 Toyota Tundra P.U. Extended Cab

Parts List :

QTY	(1) Hardware kit including :
(1) Sidebar set (Driver & Passenger)	(2) 1/2 x 2" Hex head bolt
(2) Front mounting bracket (Driver & Passenger)	(6) 1/2 x 1 1/2" hex head bolt
(2) Rear mounting bracket	(10) 1/2" Flat washer
	(8) 1/2" Lock washer
	(4) 1/2" Hex nut

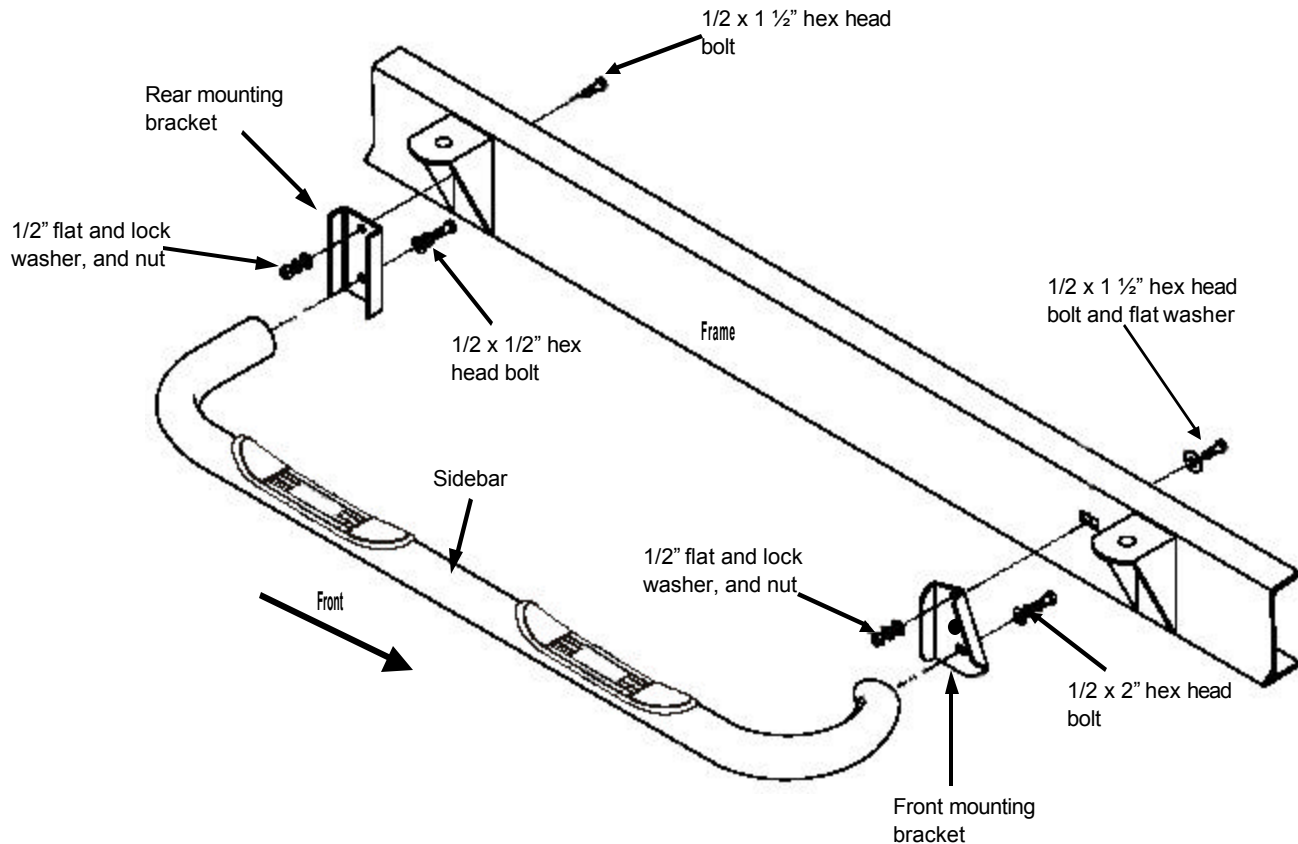
Tools Required :

3/4" Socket
3/4" Wrench

Instructions :

1. Read and understand instructions completely before beginning installation.
2. Sidebar set consist of a driver and passenger side. Be sure to determinate the correct side before installation.
3. Install the front mounting bracket using the 1/2 x 1 1/2" hex head bolt, with corresponding washers and nut. Do not tighten.
4. Bolt rear mounting bracket to the frame using a 1/2 x 1 1/2" hex head bolt, flat and lock washers and hex nut. Leave loose.
5. Place the sidebar up to the front and rear mounting brackets and bolt to the front mounting bracket using the 1/2 x 2" hex head bolt, flat and lock washer. Secure to the rear mounting bracket using a 1/2 x 1 1/2" hex head bolt, flat and lock washer. Leave loose.
6. Make any final adjustments to the alignment of the sidebar and tighten all bolts. Repeat for the opposite side.
7. You may need to periodically re-tighten the bolts.

Assembly Diagram :



Cleaning and care instructions :

Protect the finish with a non-abrasive automotive wax, (e.g. Pure Carnauba) on a regular basis. The use of any soap, polish, or wax that contains an abrasive is detrimental to the finish, as the compounds scratch the finish and cause corrosion.