

INSTALLATION INSTRUCTIONS

4414 (B - PS) ESTRIBO LATERAL

04 - 06 Toyota Tundra P.U. Double Cab

Parts List :

| QTY | (1) Hardware kit including : |
|---|----------------------------------|
| (1) Sidebar set (Left & Right) | (6) 1/2 x 1 1/2" hex head bolt |
| (2) Front mounting bracket (Left & Right) | (8) 1/2" Flat washer |
| (2) Rear mounting bracket (Left & Right) | (2) 1/2 x 2" Flat washer |
| (2) Tab bolts | (8) 1/2" Lock washer |
| | (4) 1/2" Hex nut |

Tools Required :

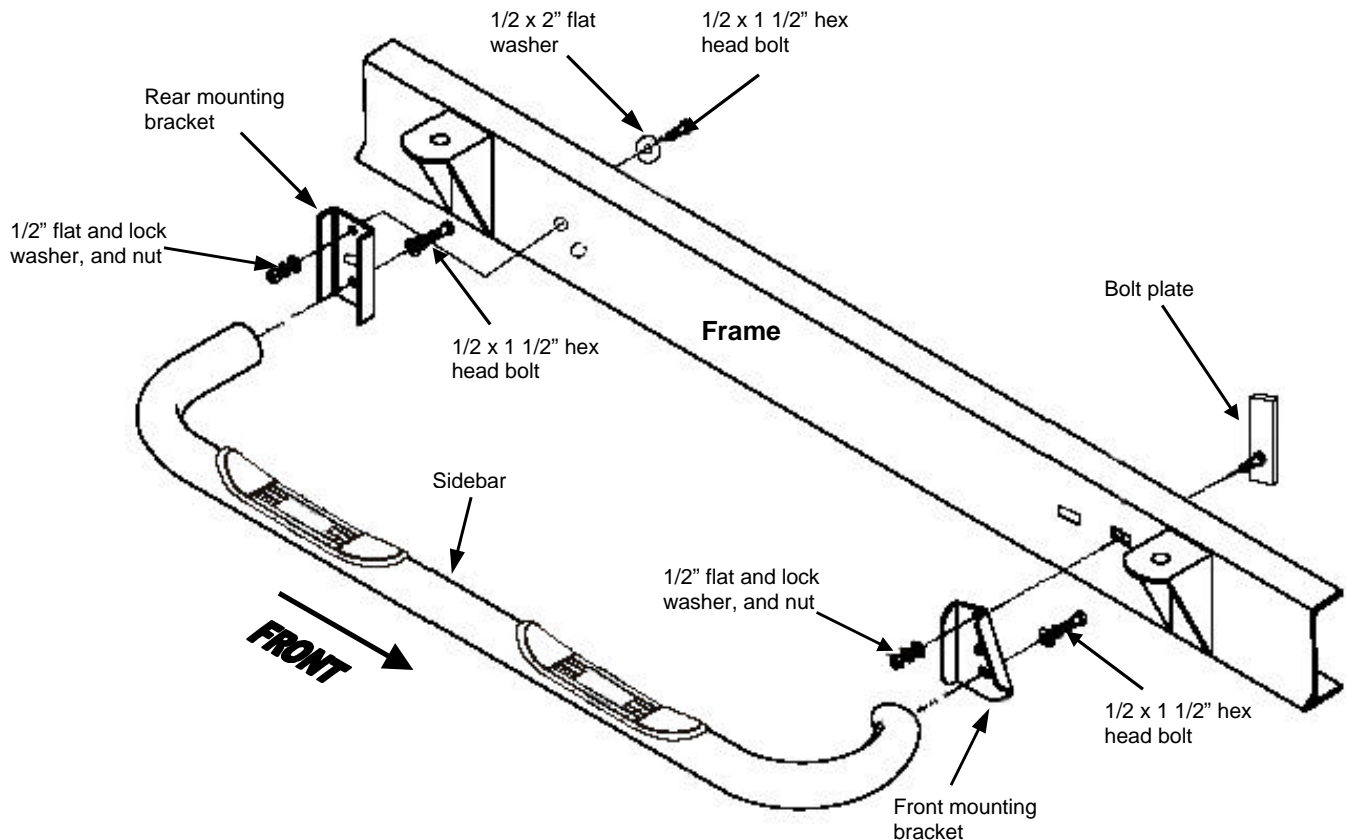
3/4" Socket
3/4" Wrench

Instructions :

Approximated installation time: 25 min.

1. Read and understand instructions completely before beginning installation.
2. Sidebar set consist of a driver and passenger side. The bend leg is the front leg. Be sure to determinate the correct side before installation.
3. Locate the hole in the frame towards the front of the vehicle. Insert bolt plate into the hole from the inside of the frame. Secure front mounting bracket to the bolt plate using 1/2" flat & lock washers and hex nut. Do not tighten.
4. Bolt rear mounting bracket to the frame using a 1/2 x 1 1/2" hex head bolt, flat & lock washers and hex nut. Leave loose. **Note:** Place the 1/2 x 2" flat washer in hex bolt and insert through frame from inside of frame.
5. Place the sidebar up to the front and rear mounting brackets and bolt using the 1/2 x 1 1/2" hex head bolt, flat and lock washer.
6. Make any final adjustments to the alignment of the sidebar and tighten all bolts. Repeat for the opposite side.
7. You may need to periodically re-tighten the bolts.

Assembly Diagram :



Cleaning and care instructions :

Protect the finish with a non-abrasive automotive wax, (e.g. Pure Carnauba) on a regular basis. The use of any soap, polish, or wax that contains an abrasive is detrimental to the finish, as the compounds scratch the finish and cause corrosion.