

INSTALLATION INSTRUCTIONS

4344

86 1/2 – 97 NISSAN PICK UP D-21 KING CAB

Parts List:

QTY	(1) Hardware kit including:
(1) Sidebar set (Driver & Passenger)	(4) 1/2 x 1 1/2" Hex head bolt
(4) Mounting bracket	(8) 1/2" Flat washer
(2) Spacers	(8) 1/2" Lock washer
	(2) M10 x 120m hex head bolt
	(2) M10 hex nut

Tools Required:

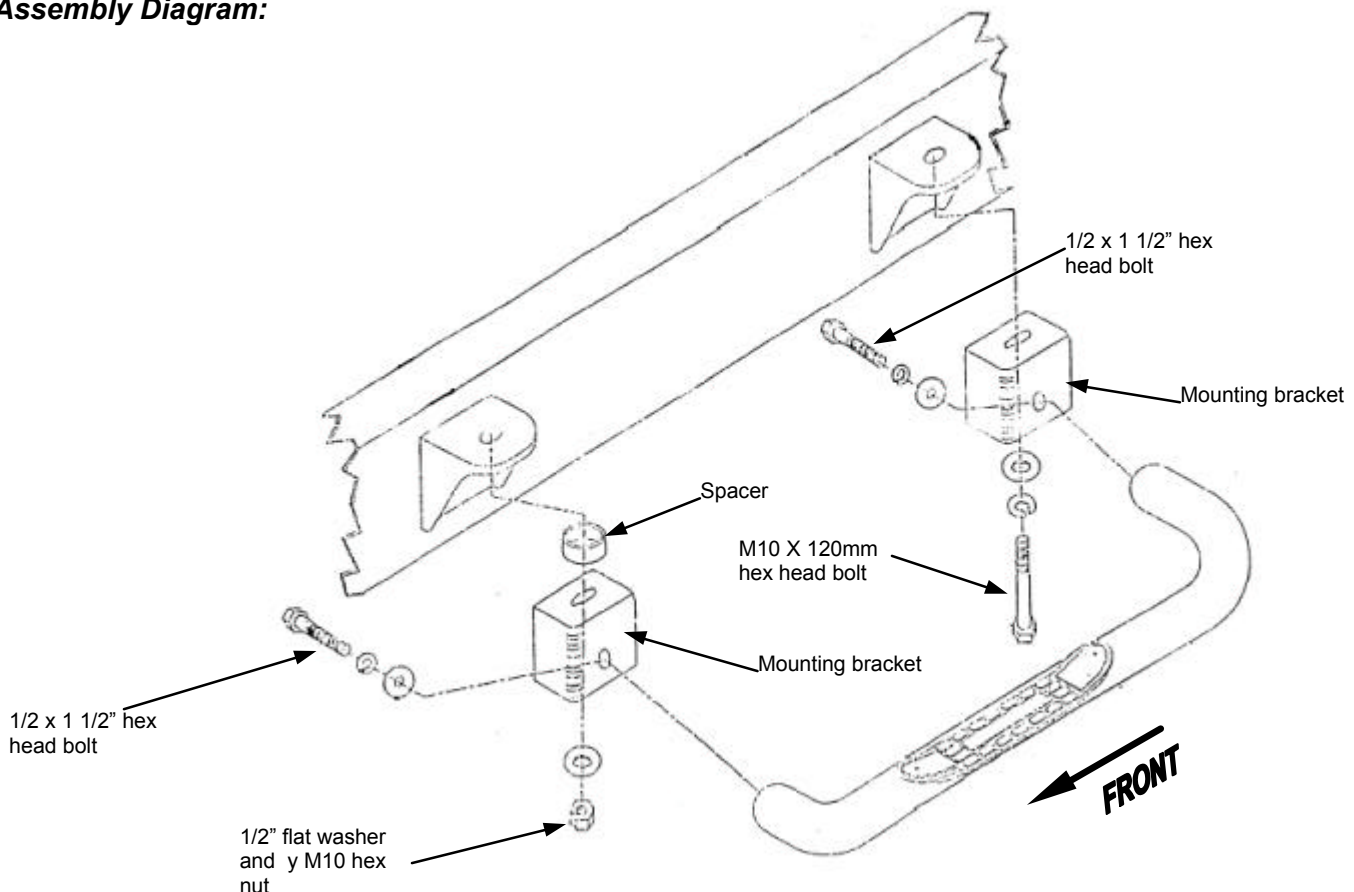
3/4" Socket	15mm Socket	
3/4" Wrench	15mm Wrench	Ratchet

Instructions:

Approximated installation time: 30 min.

1. Read and understand instructions completely before beginning installation.
2. Sidebar set consists of a driver and passenger side. Be sure to determinate the correct side before installation.
3. Locate the front body mount bolt, place a spacer between the mounting bracket and frame, then secure using a 1/2" flat washers and M10 hex nut. Leave loose.
4. To install rear mounting bracket, remove existing rear body mount bolt and attach mounting bracket using a M10 x 120mm hex head bolt, 1/2" flat washer and 1/2" lock washer. Hand tighten.
5. Place sidebar up to the mounting brackets, and secure using a 1/2 x 1 1/2" hex head bolt, flat & lock washers. Leave loose.
6. Make any final adjustments to the alignment of the sidebar and tighten all bolts. Repeat for the opposite side.
7. You may need to periodically re-tighten the bolts.

Assembly Diagram:



Cleaning and care instructions :

Protect the finish with a non-abrasive automotive wax, (e.g. Pure Carnauba) on a regular basis. The use of any soap, polish, or wax that contains an abrasive is detrimental to the finish, as the compounds scratch the finish and cause corrosion.