

INSTALLATION INSTRUCTIONS

4072 Sidebar

1982 – 2002 Chevy S-10 P.U. Regular Cab

1982 – 2003 Chevy S-10 P.U. Extended Cab

Parts List:

QTY

P01 (1) Sidebar set
(Driver & Passenger)

P02 (2) Front mounting brackets

P03 (2) Rear mounting brackets

(1) Hardware kit including:

T01 (4) 1/2 x 1 1/2" Hex head bolt

T02 (4) M12 x 110mm Hex head bolt

T03 (8) 1/2" Flat washer

T04 (8) 1/2" Lock washer

Tools required:

3/4" Socket

Ratchet

18mm Socket

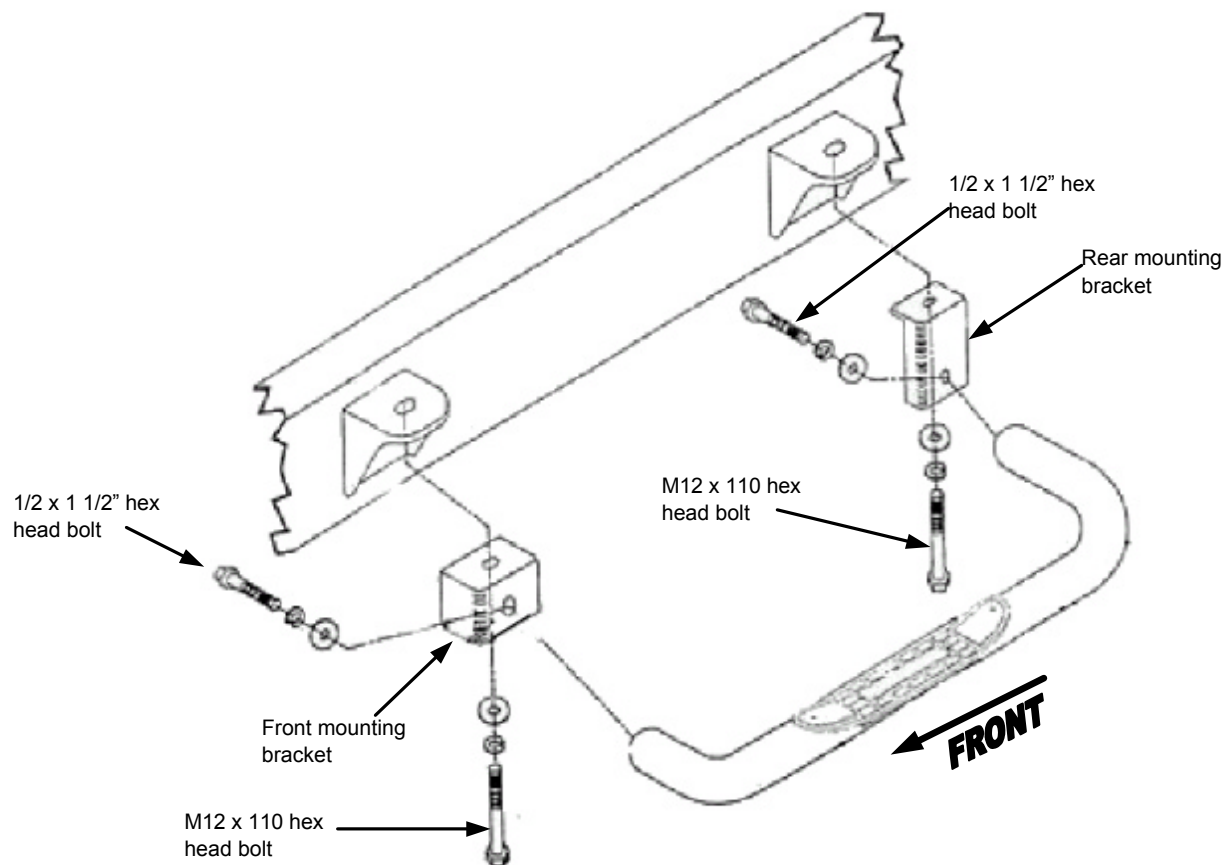
19mm Socket

Instructions:

Aproximated installation time: 30 min.

1. Read and understand instructions completely before beginning installation.
2. Sidebar set consists of a driver and passenger side. Be sure to determinate the correct side before installation.
3. Remove the four applicable body mounting bolts from the vehicle. These bolts are not reused in this installation. The body steel washer plates and rubber cushions are reused between the body mount and the sidebar mounting brackets.
4. Position de mounting brackets up under the body mounts. Install M12 x 110mm hex head bolt, 1/2" flat and lock washers through the hole in the mounting bracket and the body mounting washer plate and rubber cushion as shown.
5. Place the sidebar up to the front and rear mounting brackets and bolt using the 1/2 x 1 1/2" hex head bolt, flat and lock washer.
6. Make any final adjustments to the alignment of the sidebar and tighten all bolts. Repeat for the opposite side.
7. You may need to periodically re-tighten the bolts.

Assembly Diagram:



Cleaning and care instructions:

Diseño:

Calidad:

Protect the finish with a non-abrasive automotive wax, (e.g. Pure Carnauba) on a regular basis. The use of any soap, polish, or wax that contains an abrasive is detrimental to the finish, as the compounds scratch the finish and cause corrosion.

LIMITED WARRANTY

BIG COUNTRY products offer a limited 5-Year warranty against defects in material, workmanship and finish under normal use. Warranty does not cover shipping damage, product misuse, improper installation, road hazards, impairments from accidents, product modifications or product neglect. This warranty is limited to the repair or replacement of **BIG COUNTRY** products. Warranty does not cover cost of installation, removal, labor or shipping.

This limited warranty allows for 100% replacement of any defective product for the first three years from the original date of purchase. The following two years allows for 50% of replacement value of product covered under the warranty. Original purchaser must return defective merchandise, along with the purchase receipt, to the original place of purchase.

Lifetime
warranty

**FINISH WARRANTY**

Lifetime limited warranty on Stainless and Chromed Stainless Steel products.

Limited 5 year warranty on powder coat products.

Limited 5 year warranty on chromed mild steel selected products. This warranty does not cover on exposed welds.

Finish warranty covers peeling, flaking or cracking. You must protect the finish with **non abrasive** automotive wax on a regular basis. The use of any compound which contains abrasives becomes a self defeating exercise as the compound scratch the finish and opens it to corrosion.

DISCLAIMER FOR BIG COUNTRY PRODUCTS.

BIG COUNTRY products are sold as decorative accessories and should not be upon as protection for vehicle in the event of a collision or rollover. Installation of **BIG COUNTRY** products may alter the original characteristics programmed by your automobile manufacture, **BIG COUNTRY** assumes no liability as a result of altered characteristics set by the manufacturer.

GARANTIA LIMITADA.

Los productos **BIG COUNTRY** ofrecen garantía de 5 años contra defectos en el material, mano de obra y acabado, en uso normal.

La garantía no cubre daños de envío, mal uso del producto, instalación incorrecta, daños causados por accidentes o caminos accidentados, modificaciones al producto o negligencia en el uso del producto.

La garantía es limitada para reparar o reemplazar los productos **BIG COUNTRY**, la garantía no cubre los gastos de instalación, retiro o envío del producto.

La garantía ampara el remplazo al 100% de cualquier producto defectuoso durante los primeros 3 años, a partir de la fecha original de compra. La garantía cubre los siguientes 2 años a un 50% del valor del producto. El comprador debera regresar la mercancía defectuosa anexa la factura al lugar original de la compra.

GARANTIA EN ACABADO.

BIG COUNTRY ofrece garantía de por vida en productos de acero inoxidable y acero inoxidable cromado.

BIG COUNTRY ofrece garantía por 5 años en productos de pintura.

BIG COUNTRY ofrece garantía por 5 años en productos de acero al carbón cromados seleccionados. Esta garantía no cubre oxidación en soldaduras expuestas.

Esta garantía cubre desprendimiento, ampollas y pelado del recubrimiento. Se recomienda el uso de cera **no abrasiva** para proteger el acabado de su producto. El uso de algún compuesto que contenga abrasivos o solventes puede propiciar el deterioro del acabado.

GARANTIA
de por vida

**DESLINDE DE RESPONSABILIDAD EN LOS PRODUCTOS BIG COUNTRY.**

Los productos **BIG COUNTRY** son diseñados como accesorios decorativos y no deben ser usados como protección para el vehiculo en caso de colisión o volcadura. La instalación de los productos **BIG COUNTRY** podrían alterar las características originales de su vehículo, **BIG COUNTRY** no asume alguna responsabilidad como resultado de alterar las características de diseño del fabricante.