

**3000 SERIES STEPGUARD**  
**GRILLE GUARD ASSEMBLY INSTRUCTIONS**  
**PART NO. 3813B, 3813C 01-04 TOYOTA TACOMA P/U 2/4 WD (ALL MODELS)**  
**Do not attempt to install this product on any vehicle other than the one it is designed for and listed above!**

**PART LIST**

<u>QTY</u>	<u>PART DESCRIPTION</u>	<u>QTY</u>	<u>PART DESCRIPTION</u>
2	1/2 x 4" HEX BOLT	1	1494TD DRIVER SIDE TOP MTG BRKT
2	1/2" HEX NUT	1	1494TP PASSENGER SIDE TOP MTG BRKT
4	3/8 x 1" HEX BOLT	1	1487D DRIVER SIDE FRAME BRACKET
6	3/8 x 1" BUTTON BOLT	1	1487P PASSENGER SIDE FRAME BRKT
4	3/8" FLAT WASHER	2	1/2" HOLE SPECIAL WASHER
6	3/8" LOCK WASHER		
6	3/8" HEX NUT		
2	5/8" HEX NUT		

**ASSEMBLY INSTRUCTIONS**

**READ THE ASSEMBLY AND INSTALLATION INSTRUCTIONS COMPLETELY BEFORE YOU BEGIN.**

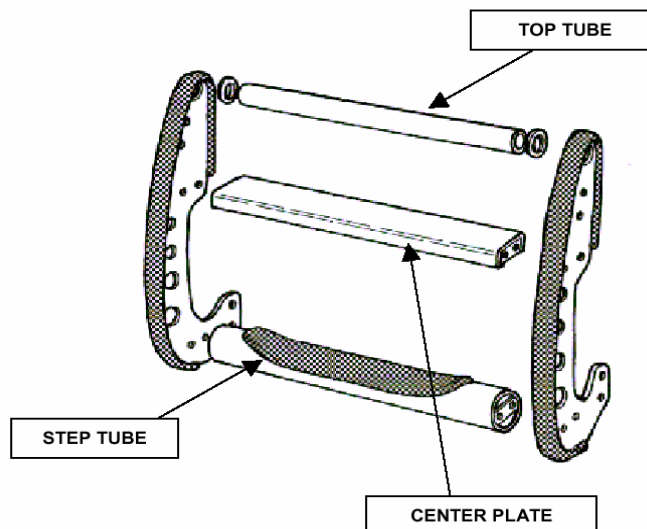
**STEP 1.** BEGIN THE GRILLE ASSEMBLY BY LAYING THE COMPONENTS OUT ON A PROTECTIVE SURFACE.

**STEP 2.** LOOSELY ATTACHING THE STEP TUBE TO THE GRILLE GUARD SIDE PLATES USING THE 3/8" X 1" BUTTON BOLTS.

**STEP 3.** INSTALL THE TUBE CONNECTORS FROM THE P200 PLUG KIT INTO THE TOP TUBE.

**STEP 4.** POSITION THE CENTER PLATE BETWEEN THE SIDE PLATES, AND ATTACH THE CENTER PLATE USING THE 3/8" X 1" HEX HEAD BOLTS, FLAT AND LOCK WASHERS, AND NUTS, ATTACH TOP TUBE USING THE P200 PLUG KIT HARDWARE.

**STEP 5.** ALIGN THE GRILLE ASSEMBLY AND TIGHTEN ALL NUTS AND BOLTS.



**STEP 7.** REMOVE THE BOLTS AND TIE DOWN FROM THE BOTTOM OF THE DRIVER SIDE FRAME RAIL. USING THE FACTORY BOLTS, LOOSELY ATTACH 1487D DRIVER SIDE FRAME BRACKET TO THE BOTTOM OF THE FRAME, AS SHOWN IN DIAGRAM.

**STEP 8.** REMOVE THE BOLTS, TOW HOOK AND TIE DOWN FROM THE BOTTOM OF THE PASSENGER SIDE FRAME RAIL. USING THE FACTORY BOLTS ALONG WITH THE TOW HOOK LOOSELY ATTACH 1487P FRAME BRACKET TO THE BOTTOM OF THE FRAME.

**STEP 9.** LOOSELY ATTACH 1494TD DRIVER SIDE TOP MOUNTING BRACKET TO TOP OF FRAME RAIL, USING 5/8" HEX NUT, 1/2 x 4" HEX BOLT, SPECIAL WASHER, LOCK WASHER AND HEX NUT AS SHOWN IN DIAGRAM. NOTE: THE BRACKET PROTRUDES OUT THROUGH OPENING IN BUMPER FASCIA, REPEAT THE ABOVE FOR 1494TP PASSENGER SIDE BRACKET.

**STEP 10.** ATTACH THE GRILLE GUARD ASSEMBLY TO THE MOUNTING BRACKETS USING THE 3/8" NUTS AND BOLTS SUPPLIED AS SHOWN IN DIAGRAM.

**STEP 11.** ALIGN THE GRILLE GUARD ASSEMBLY WITH THE FRONT OF THE VEHICLE AND TIGHTEN ALL NUTS AND BOLTS.

