

**3000 SERIES STEPGUARD**  
**GRILLE GUARD ASSEMBLY INSTRUCTIONS**  
**PART NO. 3723B, 3723C 99-02 TOYOTA 4RUNNER P/U 4 WD**  
**Do not attempt to install this product on any vehicle other than the one it is designed for and listed above!**

**PART LIST**

<b><u>QTY</u></b>	<b><u>PART DESCRIPTION</u></b>	<b><u>QTY</u></b>	<b><u>PART DESCRIPTION</u></b>
8	3/8 x 1" HEX BOLT	2	5/16" LOCK WASHER
6	3/8 x 1" BUTTON BOLT	2	5/16" HEX NUT
6	3/8" FLAT WASHER	1	P200 PLUG KIT
10	3/8" LOCK WASHER	2	1487T TOP MOUNTING BRACKETS
10	3/8" HEX NUT	1	1487D DRIVER SIDE FRAME BRACKET
2	5/16 x 1" HEX BOLT	1	1487P PASSENGER SIDE FRAME BRKT
4	5/16" FLAT WASHER		

**ASSEMBLY INSTRUCTIONS**

**READ THE ASSEMBLY AND INSTALLATION INSTRUCTIONS COMPLETELY BEFORE YOU BEGIN.**

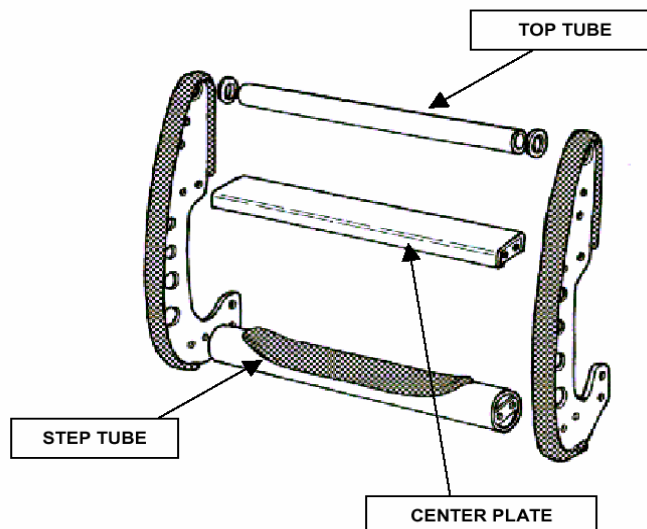
**STEP 1.** BEGIN THE GRILLE ASSEMBLY BY LAYING THE COMPONENTS OUT ON A PROTECTIVE SURFACE.

**STEP 2.** LOOSELY ATTACHING THE STEP TUBE TO THE GRILLE GUARD SIDE PLATES USING THE 3/8" X 1" BUTTON BOLTS.

**STEP 3.** INSTALL THE TUBE CONNECTORS FROM THE P200 PLUG KIT INTO THE TOP TUBE.

**STEP 4.** POSITION THE CENTER PLATE BETWEEN THE SIDE PLATES, AND ATTACH THE CENTER PLATE USING THE 3/8" X 1" HEX HEAD BOLTS, LOCK WASHERS, AND NUTS, ATTACH TOP TUBE USING THE P200 PLUG KIT HARDWARE.

**STEP 5.** ALIGN THE GRILLE ASSEMBLY AND TIGHTEN ALL NUTS AND BOLTS.



## INSTALLATION INSTRUCTIONS

**STEP 1.** REMOVE TIE DOWN FROM BOTTOM OF DRIVER SIDE FRAME RAIL.

**STEP 2.** USING BOLTS FROM TIE DOWN, ATTACH 1487D DRIVER SIDE FRAME BRACKET TO BOTTOM OF FRAME AS SHOWN IN DIAGRAM. DO NOT TIGHTEN.

**STEP 3.** REMOVE TOW HOOK AND TIE DOWN FROM BOTTOM OF PASSENGER SIDE FRAME RAIL.

**STEP 4.** USING BOLTS ALONG WITH TOW HOOK REMOVED IN STEP #3, ATTACH 1487P PASSENGER SIDE FRAME BRACKET TO BOTTOM OF FRAME. DO NOT TIGHTEN.

**STEP 5.** OPEN HOOD AND REMOVE GRILLE FROM FRONT OF VEHICLE TO EXPOSE PLASTIC TRIM RIVETS ALONG BUMPER FLANGE.

**STEP 6.** LOCATE AND REMOVE THE TWO RIVETS THAT MEASURE APPROXIMATELY 21 3/4" APART.

**STEP 7.** ATTACH 1487T TOP MOUNTING BRACKETS TO BUMPER FLANGE USING 5/16 x 1" HEX BOLTS, FLAT AND LOCK WASHERS, AND HEX NUTS. DO NOT TIGHTEN.

**STEP 8.** ATTACH THE GRILLE GUARD ASSEMBLY TO THE OUTSIDE OF THE FRAME BRACKETS USING 3/8 X 1" HEX BOLTS, FLAT AND LOCK WASHERS AND HEX NUTS. AND THE CENTER PLATE TO TOP MOUNTING BRACKETS USING 3/8 x 1" BUTTON HEAD BOLTS, FLAT AND LOCK WASHERS AND HEX NUTS. DO NOT TIGHTEN.

**STEP 9.** ALIGN GRILLE GUARD ASSEMBLY WITH THE FRONT OF THE VEHICLE AND TIGHTEN ALL NUTS AND BOLTS.

**STEP 10.** REATTACH GRILLE TO FRONT OF VEHICLE.

