

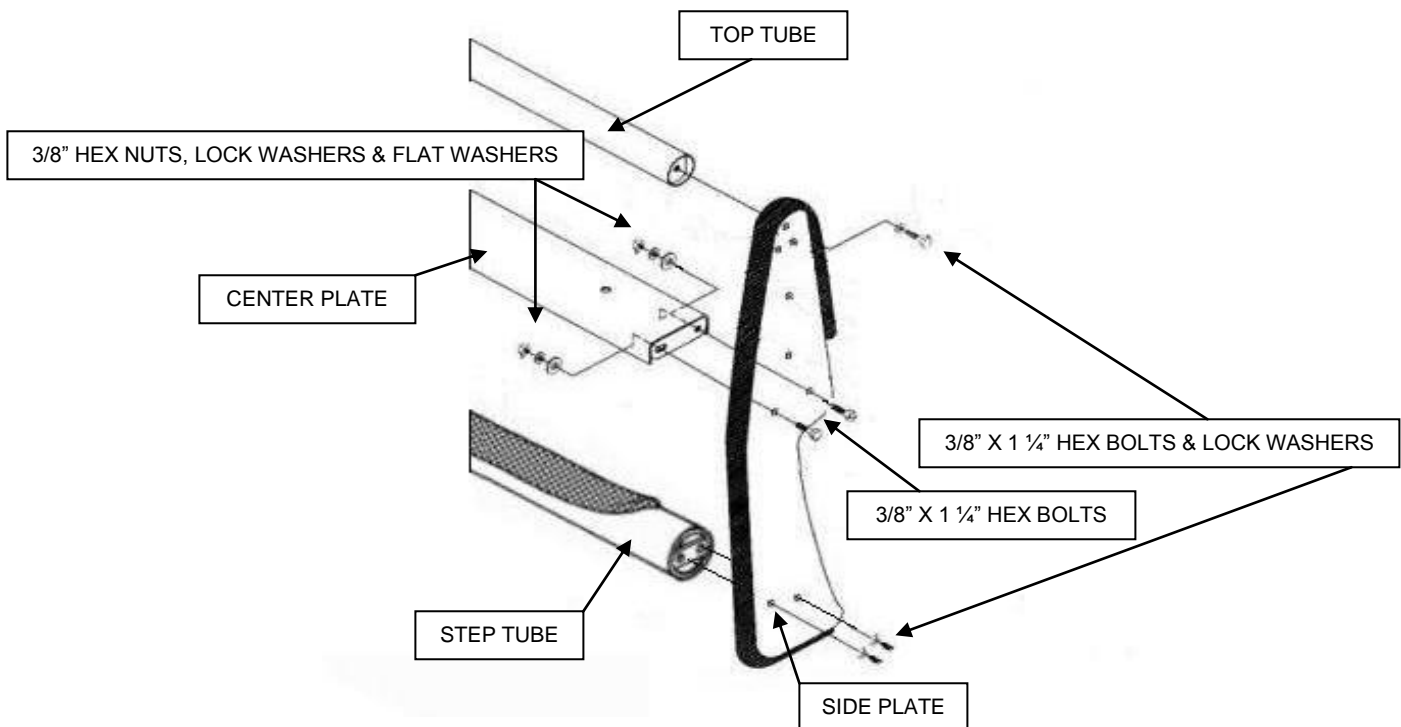
## INSTALLATION INSTRUCTIONS

3000 SERIES STEP GUARD (CENTER GRILLE GUARD ONLY)  
TOYOTA TUNDRA 2/4WD  
PART # 3716 (B-C)

**GORRHINO** 

### PARTS LIST

<u>QTY</u>	<u>PART DESCRIPTION</u>	<u>QTY</u>	<u>PART DESCRIPTION</u>
10	3/8" X 1 1/4" HEX BOLT	2	3713 SIDE PLATE
10	3/8" LOCK WASHER	1	ST3160 3" X 35 3/4" BOTTOM STEP TUBE
4	3/8" HEX NUT	1	CP3006 35 3/4" CENTER PLATE
4	3/8" FLAT WASHER	1	TT3534 2" X 35 3/4" TOP TUBE



### ASSEMBLY

**READ THE ASSEMBLY AND INSTALLATION INSTRUCTIONS COMPLETELY BEFORE YOU BEGIN.**

**NOTE: THIS INSTALLATION REQUIRES CUTTING OR REMOVAL OF THE AIR DAM.**

**STEP-1** BEGIN THE GRILLE GUARD ASSEMBLY BY LAYING THE COMPONENTS OUT ON A PROTECTIVE SURFACE.

**STEP-2** POSITION THE GRILLE GUARD SIDE PLATES WITH THE FRONT EDGE DOWN AND THE TOP AND BOTTOM STEP TUBE BETWEEN THE SIDE PLATES.

**STEP-3** ATTACH THE TOP AND BOTTOM STEP TUBE TO THE SIDE PLATES USING THE 3/8" X 1 1/4" HEX BOLTS AND LOCK WASHERS. DO NOT TIGHTEN.

**STEP-4** POSITION THE CENTER PLATE BETWEEN THE GRILLE GUARD SIDE PLATES, WITH THE SLOTTED MOUNTING HOLES IN THE CENTER PLATE DOWN.

**STEP-5** INSERT THE 3/8" X 1 1/4" HEX BOLTS THROUGH THE HOLES IN THE SIDE PLATES AND CENTER PLATE, AND INSTALL THE 3/8" FLAT WASHERS, LOCK WASHER AND HEX NUTS. DO NOT TIGHTEN.

**STEP-6** ALIGN THE GRILLE GUARD, AND TIGHTEN ALL NUTS AND BOLTS.

## INSTALLATION INSTRUCTIONS

3000 SERIES STEP GUARD (CENTER GRILLE GUARD ONLY)  
TOYOTA TUNDRA 2/4WD  
PART # 3716 (B-C)



## PARTS LIST

<u>QTY</u>	<u>PART DESCRIPTION</u>	<u>QTY</u>	<u>PART DESCRIPTION</u>
2	6M X 20M HEX BOLT	4	½" X 1 ½" HEX BOLT
2	6M FLAT WASHER	4	½" HEX NUT
2	6M LOCK WASHER	4	½" FLAT WASHER
2	5/16" X 1" BOLT	1	71321) DRIVER LOWER BRACKET
2	5/16" FLAT WASHER	1	71322) PASSENGER LOWER BRACKET
2	5/16" LOCK WASHER	1	71311) DRIVER UPPER BRACKET
2	5/16" HEX NUT	1	71312) PASSENGER UPPER BRACKET
4	½" LOCK WASHER	6"	ADHESIVE BACKED FOAM TAPE

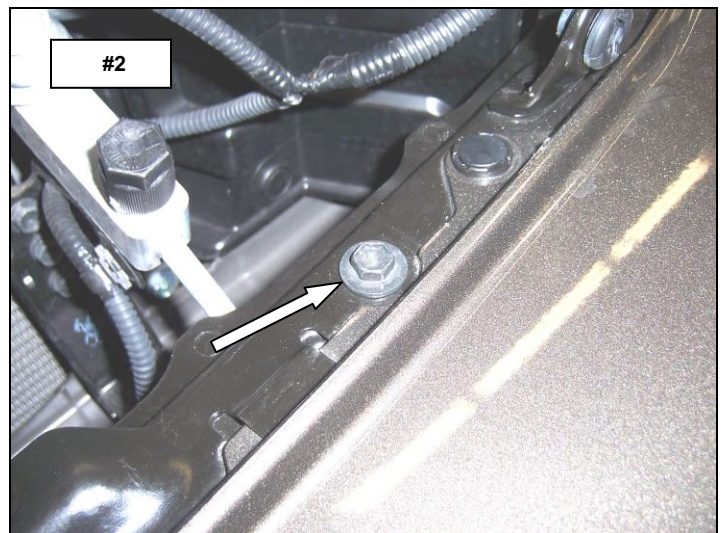
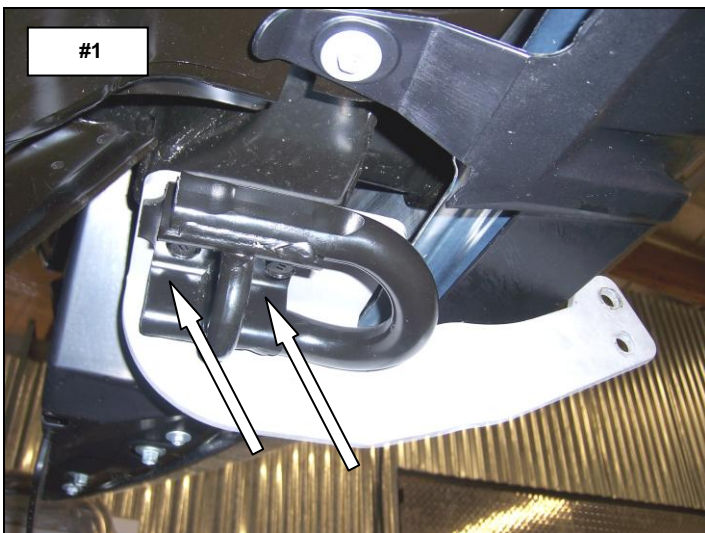
## INSTALLATION

**READ THE ASSEMBLY AND INSTALLATION INSTRUCTIONS COMPLETELY BEFORE YOU BEGIN.**

**STEP-1** REMOVE THE LICENSE PLATE AND BRACKET FROM THE FRONT BUMPER.

**STEP-2** REMOVE THE (2) BOLTS AND TOW HOOK FROM THE BOTTOM OF THE DRIVER SIDE FRAME RAIL. ATTACH THE DRIVER SIDE LOWER BRACKET AND TOW HOOK TO THE FRAME, USING THE FACTORY TOW HOOK BOLTS. LEAVE THE BOLTS LOOSE FOR FINAL ADJUSTMENT. **PHOTO #1**

**STEP-3** OPEN THE HOOD AND REMOVE FROM THE TOP OF THE BUMPER, THE 6M BOLT TO THE LEFT OF THE GRILLE BUMP STOP. **PHOTO #2**

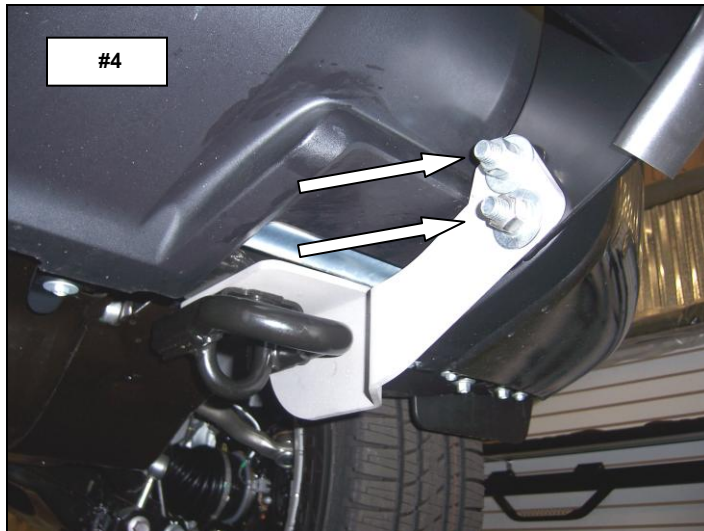
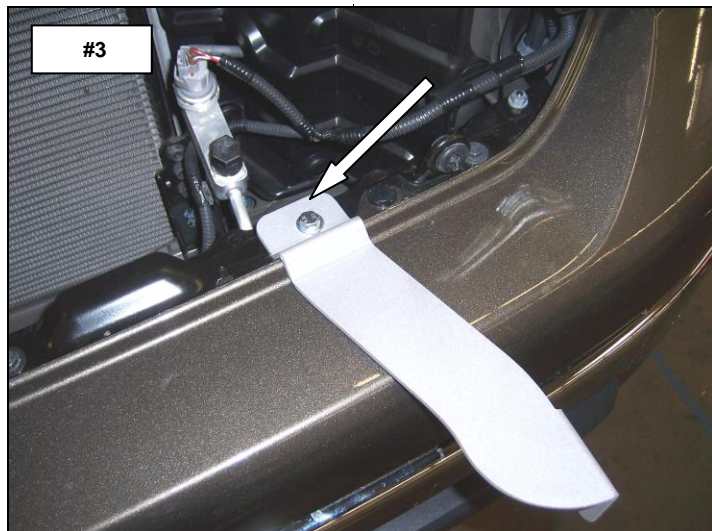


**STEP-4** ATTACH THE DRIVER SIDE UPPER BRACKET TO THE BUMPER USING (1) 6M X 20M HEX BOLT, (1) 6M LOCK WASHER AND (1) 6M FLAT WASHER. LEAVE THE BOLT LOOSE FOR FINAL ADJUSTMENT. **PHOTO #3**

**NOTE:** TO PREVENT THE UPPER BRACKET FROM SCUFFING THE TOP OF THE BUMPER, APPLY FOAM TAPE TO THE BUMPER AREA BEFORE INSTALLING THE UPPER BRACKET.

**REPEAT THE ABOVE STEPS TO INSTALL THE PASSENGER SIDE LOWER AND UPPER BRACKETS.**

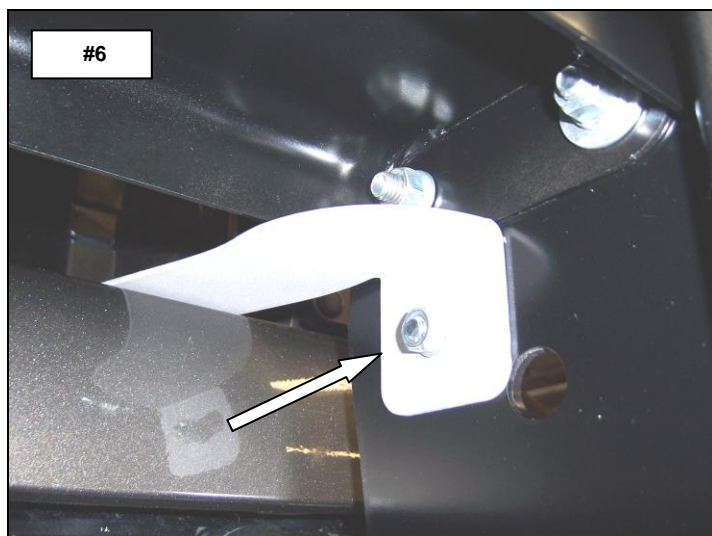
**STEP-5** ATTACH THE GRILLE GUARD ASSEMBLY TO THE OUTSIDE OF THE LOWER BRACKETS USING (2) 1/2" X 1 1/2" HEX BOLTS, (2) 1/2" FLAT WASHERS, (2) 1/2" LOCK WASHERS (2) 1/2" HEX NUTS AND TO THE UPPER BRACKETS USING (1) 5/16" X 1" HEX BOLT, (1) 5/16" FLAT WASHER, (1) 5/16" LOCK WASHER AND (1) 5/16" HEX NUT FOR EACH SIDE. **PHOTO #4 & #5**



**STEP-6** ALIGN THE GRILLE GUARD ASSEMBLY WITH THE FRONT OF THE VEHICLE AND TIGHTEN ALL NUTS AND BOLTS.

**IMPORTANT:** CAREFULLY CLOSE THE HOOD AND CHECK FOR CLEARANCE BETWEEN THE VEHICLE GRILLE AND THE GRILLE GUARD ASSEMBLY. IF NECESSARY, LOOSEN THE MOUNTING BRACKETS AND ADJUST.

**STEP-7** IF YOUR STATE LAW REQUIRES A FRONT LICENSE PLATE, ATTACH THE LICENSE PLATE DIRECTLY TO THE BUMPER USING THE LOWER HOLES IN THE LICENSE PLATE, AND THE FACTORY SCREWS. **PHOTO #8**



Review the product package and contents prior to beginning the installation. If you need to place a warranty claim or need assistance, Please contact the Go Rhino customer service team at 1-888-427-4466 during normal business hours Monday thru Friday 7 am to 5 pm PST. You may also email [warranty@gorhino.com](mailto:warranty@gorhino.com).