



3000 SERIES STEPGUARD

GRILLE GUARD ASSEMBLY INSTRUCTIONS

PART NO. 3711B & 3711C 03-06 TOYOTA TUNDRA 2/4 WD (EXCEPT SPORT)

Do not attempt to install this product on any vehicle other than the one it is designed for and listed above!

PART LIST

<u>QTY</u>	<u>PART DESCRIPTION</u>	<u>QTY</u>	<u>PART DESCRIPTION</u>
4	1/2 x 1 1/2" HEX BOLT	2	1/4" FLAT WASHER
4	1/2" FLAT WASHER	2	1/4" LOCK WASHER
4	1/2" LOCK WASHER	2	1/4" HEX NUT
4	1/2" HEX NUT	1	1483AD DRIVER SIDE UPPER BRACKET
4	3/8 x 1 1/4" HEX BOLT	1	1483AP PASSENGER SIDE UPPER BRKT
4	3/8 x 1" BUTTON BOLT	1	1481BD DRIVER SIDE FRAME BRKT
4	3/8" LOCK WASHER	1	1481BP PASSENGER SIDE FRAME BRKT
4	3/8" HEX NUT	1	P200 PLUG KIT
2	1/4 x 3/4" HEX BOLT		

ASSEMBLY INSTRUCTIONS

READ THE ASSEMBLY AND INSTALLATION INSTRUCTIONS COMPLETELY BEFORE YOU BEGIN.

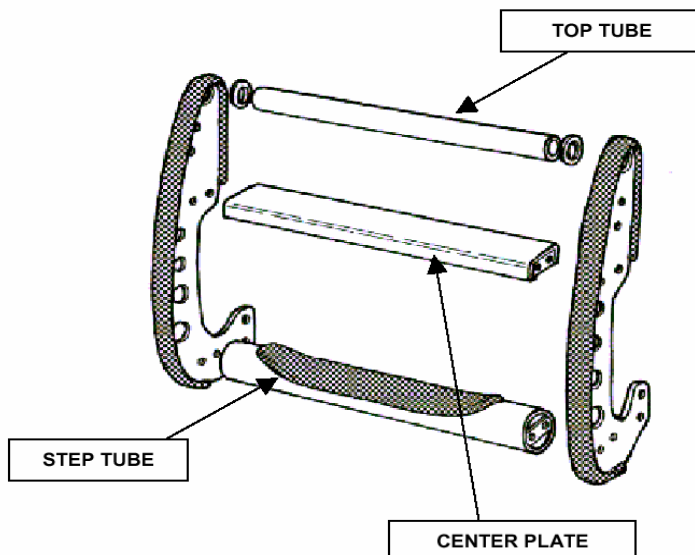
STEP 1. BEGIN THE GRILLE ASSEMBLY BY LAYING THE COMPONENTS OUT ON A PROTECTIVE SURFACE.

STEP 2. INSTALL THE TUBE CONNECTORS FROM THE P200 PLUG KIT INTO THE TOP TUBE.

STEP 3. POSITION THE STEP TUBE, CENTER PLATE AND TOP TUBE BETWEEN THE GRILLE GUARD SIDE PLATES.

STEP 4. ATTACH THE STEP TUBE TO THE SIDE PLATES USING THE 3/8" x 1" BUTTON BOLTS, THE CENTER PLATE USING THE 3/8" X 1 1/4" HEX HEAD BOLTS, LOCK WASHERS AND NUTS, AND TOP TUBE USING THE P200 PLUG KIT HARDWARE.

STEP 5. ALIGN THE GRILLE ASSEMBLY AND TIGHTEN ALL NUTS AND BOLTS.



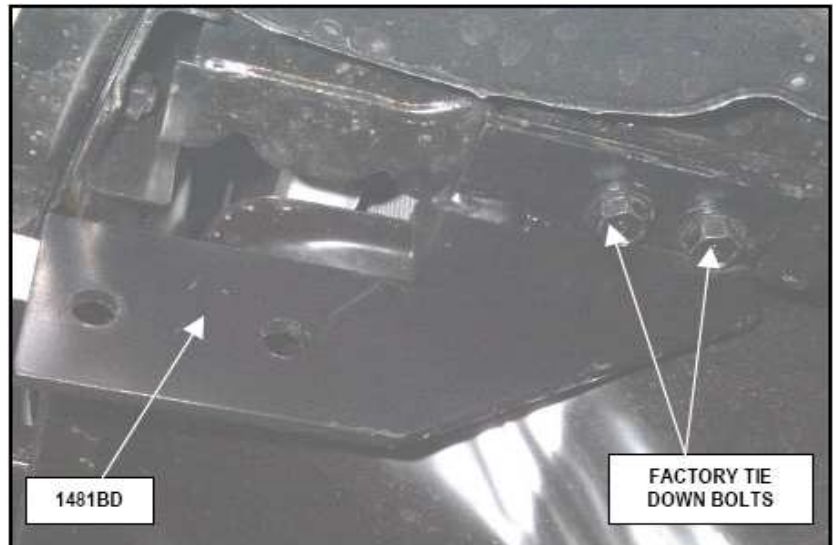
INSTALLATION INSTRUCTIONS

STEP 1. BEGINNING WITH THE DRIVER SIDE, REMOVE THE BOLTS AND TIE DOWN FROM THE BOTTOM OF THE FRAME RAIL.

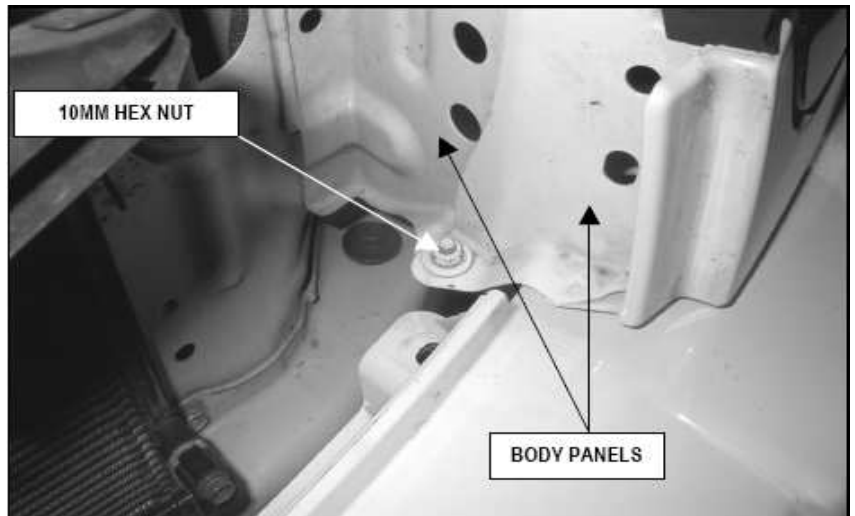


STEP 2. USING THE FACTORY BOLTS, LOOSELY ATTACH 1481BD DRIVER SIDE FRAME BRACKET TO THE BOTTOM OF THE FRAME AS SHOWN.

NOTE: IF EQUIPPED WITH TOW HOOKS, POSITION THE MOUNTING BRACKET BETWEEN THE FRAME AND TOW HOOK, AND ATTACH THE BRACKET USING THE FACTORY BOLTS.

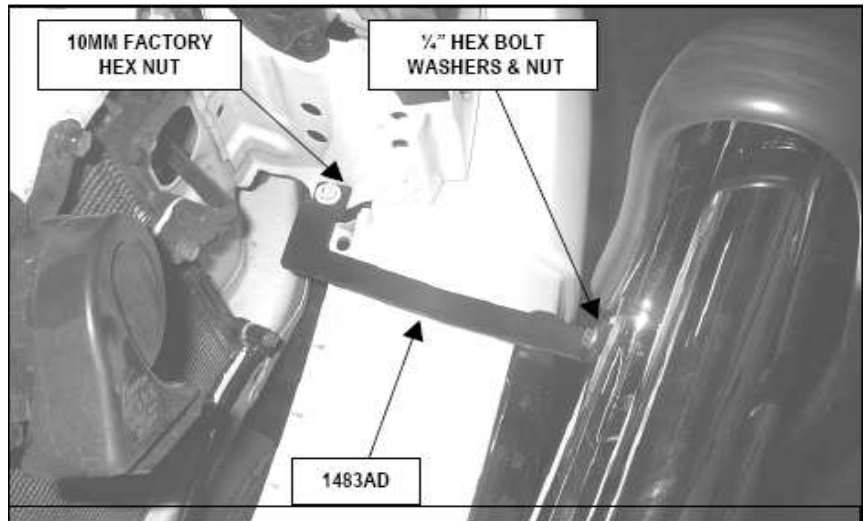


STEP 3. OPEN THE HOOD, LOCATE AND REMOVE THE 10MM HEX NUT SECURING THE BODY PANELS.



STEP 4. POSITION 1483AD UPPER BRACKET OVER THE BODY PANEL STUD, AND SECURE USING THE 10MM FACTORY HEX NUT.

STEP 5. REPEAT THE ABOVE STEPS TO INSTALL THE PASSENGER SIDE MOUNTING BRACKETS.



STEP 6. ATTACH THE GRILLE GUARD ASSEMBLY TO THE FRAME BRACKETS USING THE 1/2" FASTENERS, AND TO THE UPPER BRACKETS USING THE 1/4" FASTENERS.

STEP 7. ALIGN THE GRILLE GUARD ASSEMBLY WITH THE FRONT OF THE VEHICLE, AND TIGHTEN ALL NUTS AND BOLTS.

IMPORTANT: SLOWLY CLOSE THE HOOD AND CHECK FOR CLEARANCE BETWEEN THE GRILLE, AND THE GRILLE GUARD TOP TUBE. IF NECESSARY LOOSEN AND READJUST THE GRILLE GUARD MOUNTING BRACKETS.

