

## 3000 SERIES STEPGUARD

### GRILLE GUARD ASSEMBLY INSTRUCTIONS

PART NO. 3708B & 3708C 00-02 TOYOTA TUNDRA 2/4 WD P/U

**Do not attempt to install this product on any vehicle other than the one it is designed for and listed above!**

#### PART LIST

<u>QTY</u>	<u>PART DESCRIPTION</u>	<u>QTY</u>	<u>PART DESCRIPTION</u>
4	1/2 x 1 1/2" HEX BOLT	6	5/16" FLAT WASHER
4	1/2" FLAT WASHER	4	5/16" LOCK WASHER
4	1/2" LOCK WASHER	4	5/16" HEX NUT
4	1/2" HEX NUT	1	1481AD DRIVER SIDE UPPER BRACKET
4	3/8 x 1" HEX BOLT	1	1481AP PASSENGER SIDE UPPER BRKT
4	3/8 x 1" BUTTON BOLT	1	1481BD DRIVER SIDE FRAME BRKT
4	3/8" LOCK WASHER	1	1481BP PASSENGER SIDE FRAME BRKT
4	3/8" HEX NUT	1	P200 PLUG KIT
4	5/16 x 1" HEX BOLT		

#### ASSEMBLY INSTRUCTIONS

**READ THE ASSEMBLY AND INSTALLATION INSTRUCTIONS COMPLETELY BEFORE YOU BEGIN.**

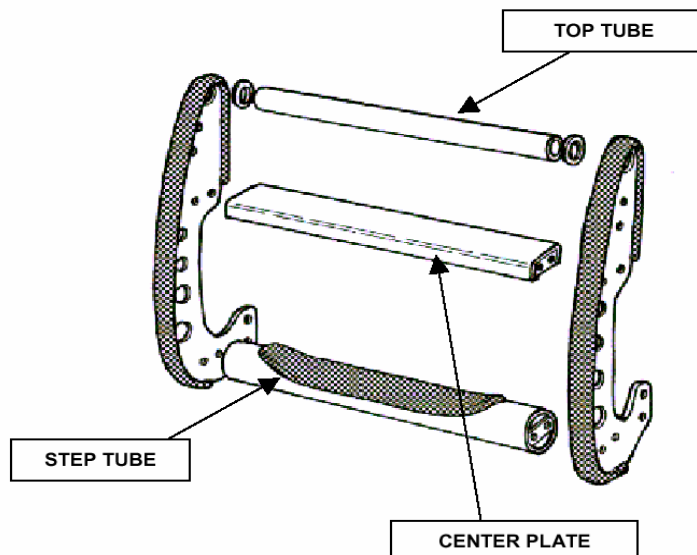
**STEP 1.** BEGIN THE GRILLE ASSEMBLY BY LAYING THE COMPONENTS OUT ON A PROTECTIVE SURFACE.

**STEP 2.** INSTALL THE TUBE CONNECTORS FROM THE P200 PLUG KIT INTO THE TOP TUBE.

**STEP 3.** POSITION THE STEP TUBE, CENTER PLATE AND TOP TUBE BETWEEN THE GRILLE GUARD SIDE PLATES.

**STEP 4.** ATTACH THE STEP TUBE TO THE SIDE PLATES USING THE 3/8" x 1" BUTTON BOLTS, THE CENTER PLATE USING THE 3/8" X 1" HEX HEAD BOLTS, LOCK WASHERS AND NUTS, AND TOP TUBE USING THE P200 PLUG KIT HARDWARE.

**STEP 5.** ALIGN THE GRILLE ASSEMBLY AND TIGHTEN ALL NUTS AND BOLTS.



## INSTALLATION INSTRUCTIONS

**STEP 1.** REMOVE TIE DOWN FROM BOTTOM OF DRIVER SIDE FRAME RAIL.

**STEP 2.** USING BOLTS FROM TIE DOWN, ATTACH 1481BD DRIVER SIDE FRAME BRACKET TO BOTTOM OF FRAME AS SHOWN IN DIAGRAM. DO NOT TIGHTEN.

**STEP 3.** REPEAT THE ABOVE FOR 1481BP PASSENGER SIDE FRAME BRACKET.

**STEP 4.** OPEN THE HOOD AND LOCATE THE PLASTIC RIVETS SECURING THE BUMPER TRIM TO TOP OF BUMPER.

**STEP 5.** REMOVE THE TWO RIVETS THAT MEASURE APPROXIMATELY 31 3/8" APART.

**STEP 6.** ATTACH 1481AD AND 1481AP UPPER BRACKETS TO HOLES IN BUMPER USING 5/16 x 1" HEX BOLTS, FLAT WASHERS, LOCK WASHERS AND HEX NUTS. DO NOT TIGHTEN.

**STEP 7.** ATTACH THE GRILLE GUARD ASSEMBLY TO THE OUTSIDE OF THE FRAME BRACKETS USING 1/2 x 1 1/2" HEX BOLTS AND TO THE UPPER BRACKETS USING 5/16 x 1" HEX BOLTS, FLAT WASHERS AND HEX NUTS AS SHOWN.

**STEP 8.** ALIGN THE GRILLE AND BRUSH GUARD ASSEMBLY WITH FRONT OF VEHICLE AND TIGHTEN ALL NUTS AND BOLTS.

