



Innovative Truck Racks!

Two Companies ! One Vision !



Built to demand respect !

3000 SERIES STEPGUARD

GRILLE GUARD

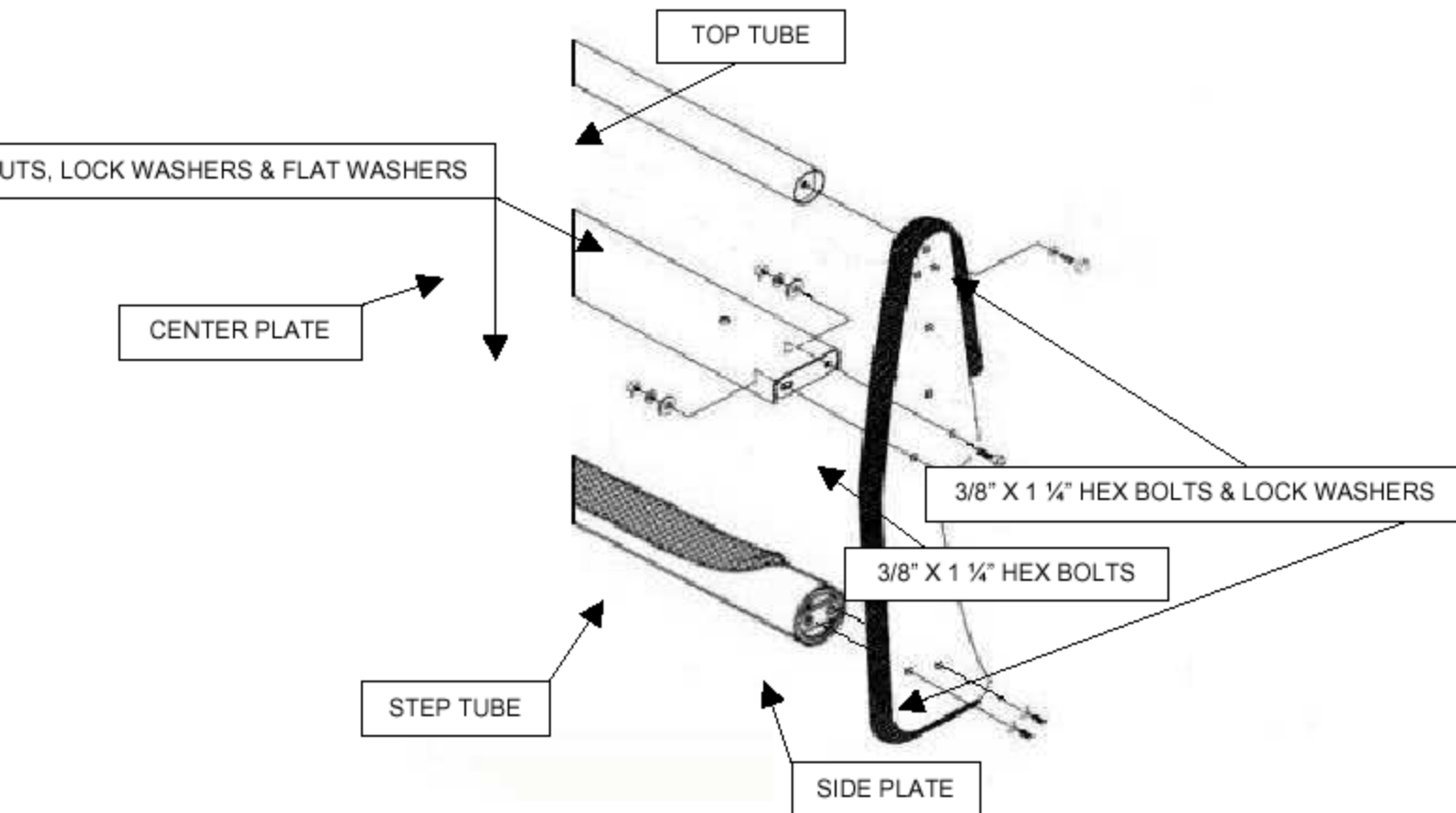
ASSEMBLY INSTRUCTIONS

PART NO. 3338B & 3338C 06-08 FORD EXPLORER / 2007 EXPLORER SPORT TRACK 2/4WD

Do not attempt to install this product on any vehicle other than the one it is designed for and listed above!

PACKING LIST

QTY	PARTS DESCRIPTION	QTY	PARTS DESCRIPTION
10	3/8" X 1 1/4" HEX BOLTS	2	3338 SIDE PLATES
10	3/8" LOCK WASHERS	1	ST3005 3" X 33" BOTTOM STEP TUBE
4	3/8" HEX NUTS	1	TT3300 2" X 33" TOP TUBE
4	3/8" FLAT WASHERS	1	CP3005 33" CENTER PLATE



ASSEMBLY

- STEP 1.** BEGIN THE GRILLE GUARD ASSEMBLY BY LAYING THE COMPONENTS OUT ON A PROTECTIVE SURFACE.
- STEP 2.** POSITION THE GRILLE GUARD SIDE PLATES WITH THE FRONT EDGE DOWN AND THE 2" TOP AND BOTTOM STEP TUBE BETWEEN THE SIDE PLATES.
- STEP 3.** ATTACH THE TOP AND BOTTOM STEP TUBE TO THE SIDE PLATES USING THE 3/8" X 1 1/4" HEX BOLTS AND LOCK WASHERS. DO NOT TIGHTEN.
- STEP 4.** POSITION THE CENTER PLATE BETWEEN THE GRILLE GUARD SIDE PLATES, WITH THE **SLOTTED MOUNTING HOLES** IN THE CENTER PLATE DOWN.
- STEP 5.** INSERT THE 3/8" X 1 1/4" HEX BOLTS THROUGH THE HOLES IN THE SIDE PLATES AND CENTER PLATE, AND INSTALL THE 3/8" FLAT WASHERS, LOCK WASHER AND HEX NUTS. DO NOT TIGHTEN.
- STEP 6.** ALIGN THE GRILLE GUARD ASSEMBLY, AND TIGHTEN ALL NUTS AND BOLTS



Innovative Truck Racks!

Two Companies ! One Vision !



3000 SERIES STEPGUARD

GRILLE GUARD

INSTALLATION INSTRUCTIONS

PART NO. 3338B & 3338C 06-07 FORD EXPLORER / 2007 EXPLORER SPORT TRACK 2/4WD

Do not attempt to install this product on any vehicle other than the one it is designed for and listed above!

PACKING LIST

<u>QTY</u>	<u>PARTS DESCRIPTION</u>	<u>QTY</u>	<u>PARTS DESCRIPTION</u>
8	5/16" X 1" HEX BOLTS	8	1/2" FLAT WASHERS
8	5/16" FLAT WASHERS	8	1/2" LOCK WASHERS
8	5/16" U-NUTS	8	1/2" HEX NUTS
2	3/8" X 1 1/4" HEX BOLTS	1	3380D DRIVER SIDE FRAME BRACKET
2	3/8" LOCK WASHERS	1	3382D DRIVER SIDE BUMPER BRACKET
2	3/8" FLAT WASHERS	1	3383D DRIVER SIDE UPPER BRACKET
2	3/8" HEX NUTS	1	3380P PASSENGER SIDE FRAME BRACKET
2	2" X 1/4" THICK - 1/2" HOLE WASHERS	1	3382P PASSENGER SIDE BUMPER BRACKET
2	1/2" TAB-BOLTS	1	3383P PASSENGER SIDE UPPER BRACKET
4	1/2" X 1 1/2" HEX BOLTS	4	1/4" PLASTIC TREE CLIPS
2	1/2" X 4" HEX BOLTS		

INSTALLATION

STEP 1. READ THE INSTRUCTIONS COMPLETELY.

REMOVE THE (6) PLASTIC SNAP-LOCK RIVETS AND LOWER VALANCE FROM THE BOTTOM OF THE BUMPER FASCIA. **FIG. #1**

REMOVE THE (4) TREE CLIPS AND SPLASH SHIELD FROM THE RADIATOR SUPPORT. **FIG. #2**

STEP 2. BEGINNING WITH THE DRIVER SIDE, LOCATE THE HOLES IN THE SIDE AND BOTTOM OF THE FRAME RAIL. **FIG. #3** INSERT (1)

1/2" TAB BOLT INTO THE SLOTTED HOLE IN THE BOTTOM OF THE FRAME FIG. # 4.

STEP 3. ATTACH THE DRIVER SIDE FRAME BRACKET TO THE SIDE AND BOTTOM OF THE FRAME USING (1) 1/2" x 3 1/2" HEX BOLT, (1) 1/4" THICK WASHER. (2) FLAT WASHERS, (2) LOCK WASHERS AND (2) HEX NUTS **FIG. #5 & FIG #6**

STEP 4. ASSEMBLE (4) 5/16" U-NUTS ONTO THE DRIVER SIDE BUMPER BRACKET. **FIG. #7** LOCATE THE BRACE INSIDE OF THE STEEL BUMPER CHANNEL. **FIG. #8**

STEP 5. LOOSELY ATTACH THE DRIVER SIDE BUMPER BRACKET TO THE BRACE INSIDE THE BUMPER CHANNEL USING (2) 5/16" X 1" HEX BOLTS AND (2) FLAT WASHERS. **FIG. #9**

INSERT THE DRIVER SIDE UPPER BRACKET THROUGH THE OPENING IN THE GRILLE. LOOSELY ATTACH THE UPPER BRACKET TO THE BUMPER BRACKET USING (2) 5/16" X 1" HEX BOLTS AND (2) FLAT WASHERS. **FIG. #10**

REPEAT THE ABOVE STEPS TO INSTALL THE PASSENGER SIDE BRACKETS.

OPTIONAL: POSITION THE LOWER VALANCE UP TO THE BOTTOM OF THE BUMPER AND MARK THE FRAME BRACKET LOCATIONS. NOTCH THE LOWER VALANCE TO CLEAR THE BRACKETS. REINSTALL THE LOWER VALANCE USING THE FACTORY FASTENERS.

STEP 6. ATTACH THE GRILLE AND BRUSH GUARD ASSEMBLY TO THE OUTSIDE OF THE FRAME BRACKETS USING (4) 1/2" X 1 1/2" HEX BOLTS, FLAT WASHERS, LOCK WASHERS AND HEX NUTS **FIG. #11** AND TO THE UPPER BRACKETS USING (2) 3/8" X 1 1/4" HEX BOLTS, LOCK WASHERS AND HEX NUTS. **FIG. #12**

STEP 7. ALIGN THE GRILLE GUARD ASSEMBLY WITH THE FRONT OF THE VEHICLE AND TIGHTEN ALL MOUNTING BRACKET NUTS AND BOLTS. REATTACH THE PLASTIC SPLASH SHIELD.

