

# SUMATRA<sup>®</sup>

*Series* 3000

## 3-Piece StepGuard

1999 FORD EXPLORER 2/4WD PART NO. 3333M

### PARTS LIST

2	3/8" X 1 3/4" T-BOLTS	2	1/2" HEX NUTS
12	3/8" X 1" HEX BOLTS	2	1/2" HOLE X 1/4" THICK 2" O. D. WASHERS
14	3/8" LOCK WASHERS	2	1/2" FLAT WASHERS
10	3/8" FLAT WASHERS	2	1139B BOTTOM BRACKETS
10	3/8" HEX NUTS	1	1139D DRIVER SIDE FRAME BRACKET
2	1/2" X 4" HEX BOLTS	1	1139P PASSENGER SIDE FRAME BRACKET
2	1/2" LOCK WASHERS	2	1139A TOP BRACKETS

### ASSEMBLY INSTRUCTIONS

- STEP 1: ASSEMBLE GRILLE AND BRUSH GUARD ASSEMBLY AS FOLLOWS PER DIAGRAM.
- STEP 2: PLACE CENTER GUARD ON A FLAT SURFACE FACE DOWN.
- STEP 3: ASSEMBLE BRUSH GUARDS LEFT AND RIGHT BY SLIDING THROUGH SIDE PLATES THEN INTO TOP TUBE.
- STEP 4: ATTACH EURO TUBE TO BRUSH GUARDS USING 5/16" X 1 3/4" FLAT HEAD SCREWS AS SHOWN IN DIAGRAM INCLUDED WITH EURO TUBE. DO NOT SECURE.
- STEP 5: ATTACH BRUSH GUARDS TO CENTER GUARD USING 3/8" X 1" HEX BOLTS, LOCK WASHERS, AND HEX NUTS. NOTE: THREADS MUST FACE OUTWARDS ON BOLTS.
- STEP 6: ATTACH HEAD LIGHT PROTECTORS FIRST TO BRUSH GUARDS WITH 1/4" X 3/4" BUTTON HEAD BOLTS THEN TO GRILLE GUARD USING 5/16" X 1" BUTTON HEAD BOLTS AND LOCK NUTS.
- STEP 7: ALIGN GRILLE AND BRUSH GUARD ASSEMBLY AND SECURE ALL NUTS AND BOLTS.

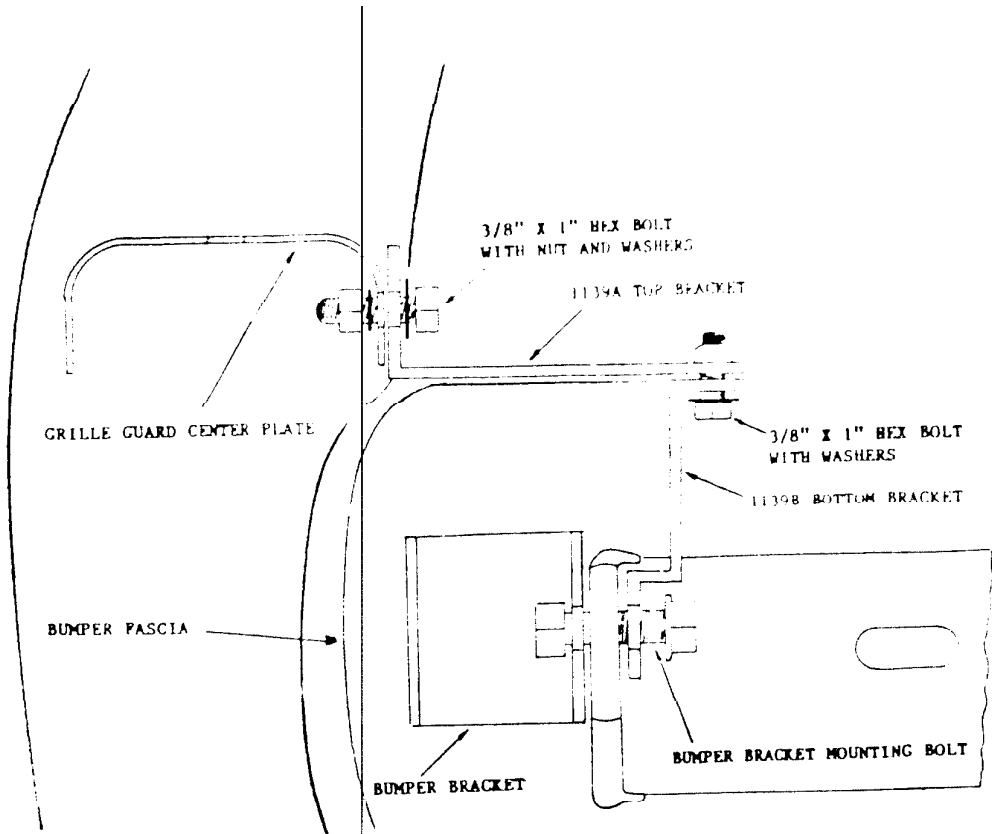
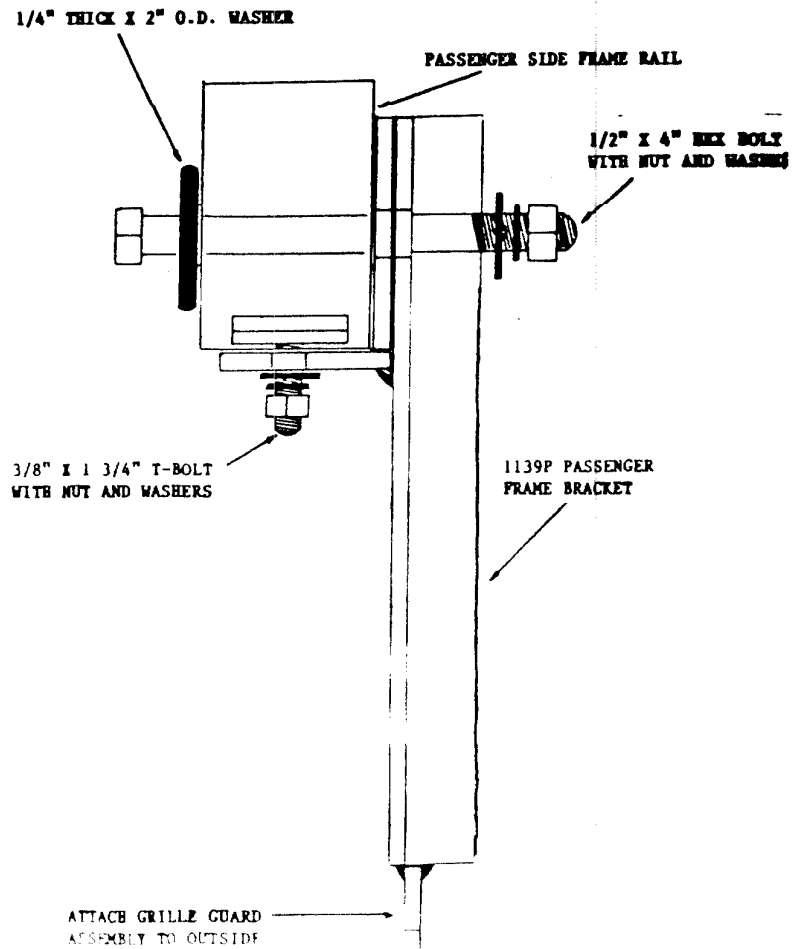
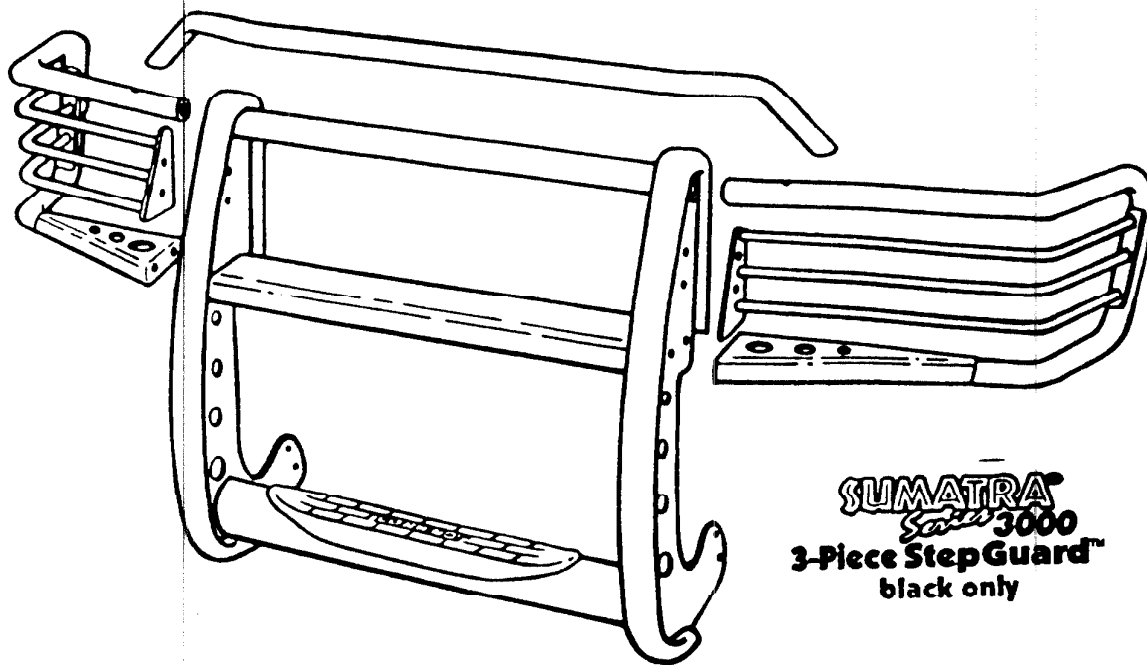


DIAGRAM (A)

DIAGRAM (B)





#### INSTALLATION INSTRUCTIONS

- STEP 1. REMOVE THE HEX NUT FROM PASSENGER SIDE BUMPER BRACKET MOUNTING BOLT AT LOCATION SHOWN IN DIAGRAM (A). DO NOT REMOVE BOLT.
- STEP 2. ASSEMBLE AND ATTACH 1139A AND 1139B BRACKETS TO BUMPER BRACKET MOUNTING FLANGE USING 3/8" X 1" HEX BOLT, FLAT WASHER, LOCK WASHER AND FACTORY HEX NUT AS SHOWN. DO NOT TIGHTEN.
- STEP 3. ATTACH 1139P PASSENGER SIDE FRAME BRACKET TO SIDE AND BOTTOM OF FRAME USING 3/8" T-BOLT, 1/2" HEX BOLT, WASHERS AND NUTS AS SHOWN IN DIAGRAM (B). DO NOT TIGHTEN.
- STEP 4. REPEAT THE ABOVE STEPS FOR THE DRIVER SIDE BRACKETS.
- STEP 5. ATTACH GRILLE AND BRUSH GUARD ASSEMBLY TO TOP BRACKETS AND TO THE OUTSIDE OF FRAME BRACKETS USING 3/8" X 1" HEX BOLTS, WASHERS AND NUTS.
- STEP 6. ALIGN GRILLE AND BRUSH GUARD ASSEMBLY WITH FRONT OF VEHICLE AND TIGHTEN ALL NUTS AND BOLTS.