

## INSTALLATION INSTRUCTIONS PART #3213M / 3000 SERIES STEPGUARD® 2003 DODGE RAM 2500, 3500 2/4WD



**Do not attempt to install this product on any vehicle other than the one it is designed for and listed above!**

### Packing List

Quantity	Description	Quantity	Description
2	1/4" SOCKET SET SCREWS	4	1/2" FLAT WASHERS
2	NYLON FLANGE WASHERS	4	1/2" X 1 1/2" HEX BOLTS
12	3/8" X 1" BUTTON HEAD BOLTS	4	1/2" LOCK WASHERS
6	3/8" X 1 1/4" HEX BOLTS	4	1/2" HEX NUTS
10	3/8" LOCK WASHERS	1	1086AD DRIV SIDE UPPER BRACKET
12	3/8" HEX NUTS	1	1086AP PASS SIDE UPPER BRACKET
4	3/8" X 1 3/4" HEX BOLTS	1	1086BD DRIV SIDE LOWR BRACKET
12	3/8" FLAT WASHERS	1	1086BP PASS SIDE LOWER BRACKET
2	12MM X 40MM HEX BOLTS	4	1/2" HOLE 1/4" X 1 1/2" SPACERS

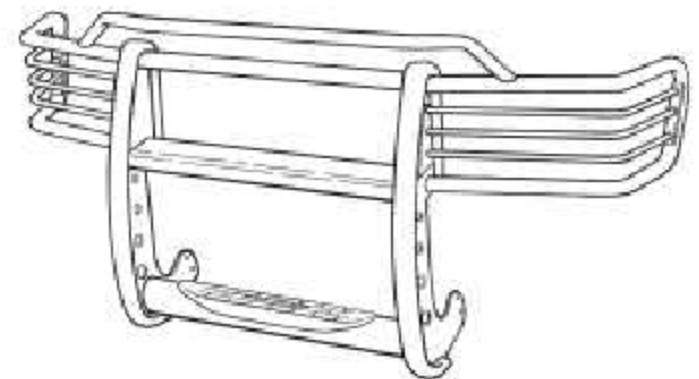
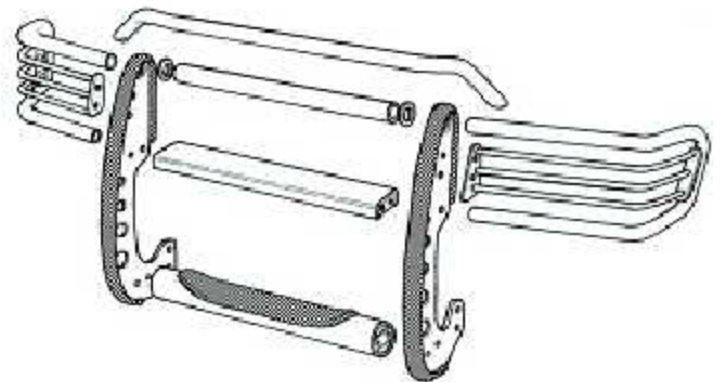
**W  
A  
R  
N  
I  
N  
G**

Carefully read all the instructions prior to attempting to install this product. If you are not familiar with using workshop tools or with workshop safety practices, take the product and vehicle to a skilled installer. Go Rhino! Products accept no responsibility for any damage or injuries that may result from the product(s) being incorrectly installed. Before attempting to install accessories, park the vehicle on flat level ground, apply the emergency brake and disconnect the battery. If installation requires the use of a jack or lift, use only one with the correct load rating for the vehicle, follow the manufacturer's instructions and use wheel chocks. After installation, check the operation of all lights and turn signals; periodically check all fasteners for tightness. Retighten only loose fasteners as over-tightening snug fasteners can result in breaking or stripping them. Failure to maintain tightness of fasteners could result in the product detaching itself from the vehicle and possibly jamming wheels etc. This condition could cause serious personal bodily injury.

**W  
A  
R  
N  
I  
N  
G**

### **ASSEMBLY INSTRUCTIONS:**

- 1) BEGIN THE ASSEMBLY BY LOOSELY ATTACHING THE BOTTOM STEP TUBE TO THE GRILLE GUARD SIDE PLATES USING THE 3/8" X 1" BUTTON HEAD BOLTS.
- 2) INSERT THE FLANGE WASHERS IN THE SIDE PLATES. POSITION THE TOP TUBE BETWEEN THE GRILLE GUARD SIDE PLATES, AND SLIDE THE BRUSH GUARDS THROUGH THE SIDE PLATES, FLANGED WASHERS AND INTO THE TOP TUBE.
- 3) POSITION THE CENTER PLATE BETWEEN THE SIDE PLATES, AND ATTACH THE CENTER PLATE TO THE SIDE PLATES AND BRUSH GUARDS USING THE 3/8" X 1" BUTTON BOLTS, FLAT AND LOCK WASHERS, AND HEX NUTS.
- 4) ATTACH THE EUROTUBE TO THE BRUSH GUARDS USING THE 5/16" X 1 3/4" FLAT HEAD SCREWS.
- 5). ALIGN THE GRILLE AND BRUSH GUARD ASSEMBLY AND TIGHTEN ALL NUTS AND BOLTS. NOTE: SECURE THE TOP TUBE USING THE 1/4" SOCKET SCREWS.
- 6) ATTACH THE HEAD LIGHT PROTECTORS TO THE BRUSH GUARDS USING THE 1/4" X 3/4" BUTTON HEAD BOLTS AND TO THE SIDE PLATES USING THE 5/16" X 1" BUTTON HEAD BOLTS AND LOCK NUTS.



## INSTALLATION INSTRUCTIONS PART #3213M / 3000 SERIES STEPGUARD® 2003 DODGE RAM 2500, 3500 2/4WD



**Do not attempt to install this product on any vehicle other than the one it is designed for and listed above!**

### Packing List

Quantity	Description	Quantity	Description
2	1/4" SOCKET SET SCREWS	4	1/2" FLAT WASHERS
2	NYLON FLANGE WASHERS	4	1/2" X 1 1/2" HEX BOLTS
12	3/8" X 1" BUTTON HEAD BOLTS	4	1/2" LOCK WASHERS
6	3/8" X 1 1/4" HEX BOLTS	4	1/2" HEX NUTS
10	3/8" LOCK WASHERS	1	1086AD DRIV SIDE UPPER BRACKET
12	3/8" HEX NUTS	1	1086AP PASS SIDE UPPER BRACKET
4	3/8" X 1 3/4" HEX BOLTS	1	1086BD DRIV SIDE LOWR BRACKET
12	3/8" FLAT WASHERS	1	1086BP PASS SIDE LOWER BRACKET
2	12MM X 40MM HEX BOLTS	4	1/2" HOLE 1/4" X 1 1/2" SPACERS

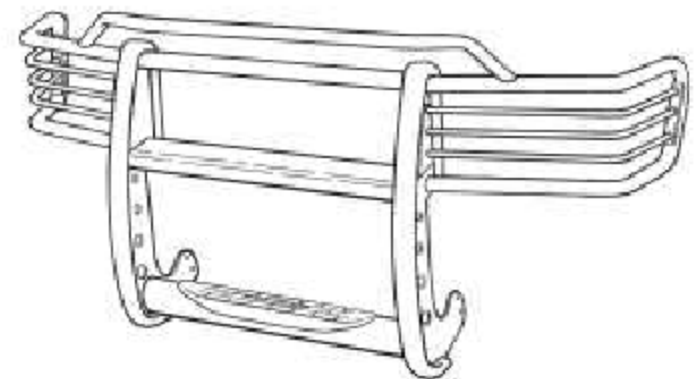
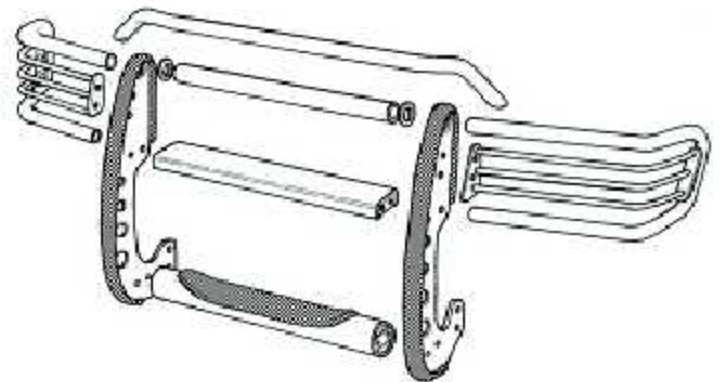
**W  
A  
R  
N  
I  
N  
G**

Carefully read all the instructions prior to attempting to install this product. If you are not familiar with using workshop tools or with workshop safety practices, take the product and vehicle to a skilled installer. Go Rhino! Products accept no responsibility for any damage or injuries that may result from the product(s) being incorrectly installed. Before attempting to install accessories, park the vehicle on flat level ground, apply the emergency brake and disconnect the battery. If installation requires the use of a jack or lift, use only one with the correct load rating for the vehicle, follow the manufacturer's instructions and use wheel chocks. After installation, check the operation of all lights and turn signals; periodically check all fasteners for tightness. Retighten only loose fasteners as over-tightening snug fasteners can result in breaking or stripping them. Failure to maintain tightness of fasteners could result in the product detaching itself from the vehicle and possibly jamming wheels etc. This condition could cause serious personal bodily injury.

**W  
A  
R  
N  
I  
N  
G**

### **ASSEMBLY INSTRUCTIONS:**

- 1) BEGIN THE ASSEMBLY BY LOOSELY ATTACHING THE BOTTOM STEP TUBE TO THE GRILLE GUARD SIDE PLATES USING THE 3/8" X 1" BUTTON HEAD BOLTS.
- 2) INSERT THE FLANGE WASHERS IN THE SIDE PLATES. POSITION THE TOP TUBE BETWEEN THE GRILLE GUARD SIDE PLATES, AND SLIDE THE BRUSH GUARDS THROUGH THE SIDE PLATES, FLANGED WASHERS AND INTO THE TOP TUBE.
- 3) POSITION THE CENTER PLATE BETWEEN THE SIDE PLATES, AND ATTACH THE CENTER PLATE TO THE SIDE PLATES AND BRUSH GUARDS USING THE 3/8" X 1" BUTTON BOLTS, FLAT AND LOCK WASHERS, AND HEX NUTS.
- 4) ATTACH THE EUROTUBE TO THE BRUSH GUARDS USING THE 5/16" X 1 3/4" FLAT HEAD SCREWS.
- 5). ALIGN THE GRILLE AND BRUSH GUARD ASSEMBLY AND TIGHTEN ALL NUTS AND BOLTS. NOTE: SECURE THE TOP TUBE USING THE 1/4" SOCKET SCREWS.
- 6) ATTACH THE HEAD LIGHT PROTECTORS TO THE BRUSH GUARDS USING THE 1/4" X 3/4" BUTTON HEAD BOLTS AND TO THE SIDE PLATES USING THE 5/16" X 1" BUTTON HEAD BOLTS AND LOCK NUTS.



## INSTALLATION INSTRUCTIONS PART #3213M / 3000 SERIES STEPGUARD® 2003 DODGE RAM 2500, 3500 2/4WD



**Do not attempt to install this product on any vehicle other than the one it is designed for and listed above!**

### Packing List

Quantity	Description	Quantity	Description
2	1/4" SOCKET SET SCREWS	4	1/2" FLAT WASHERS
2	NYLON FLANGE WASHERS	4	1/2" X 1 1/2" HEX BOLTS
12	3/8" X 1" BUTTON HEAD BOLTS	4	1/2" LOCK WASHERS
6	3/8" X 1 1/4" HEX BOLTS	4	1/2" HEX NUTS
10	3/8" LOCK WASHERS	1	1086AD DRIV SIDE UPPER BRACKET
12	3/8" HEX NUTS	1	1086AP PASS SIDE UPPER BRACKET
4	3/8" X 1 3/4" HEX BOLTS	1	1086BD DRIV SIDE LOWR BRACKET
12	3/8" FLAT WASHERS	1	1086BP PASS SIDE LOWER BRACKET
2	12MM X 40MM HEX BOLTS	4	1/2" HOLE 1/4" X 1 1/2" SPACERS

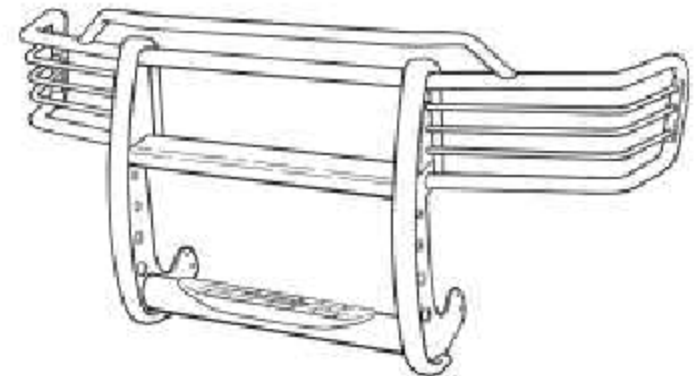
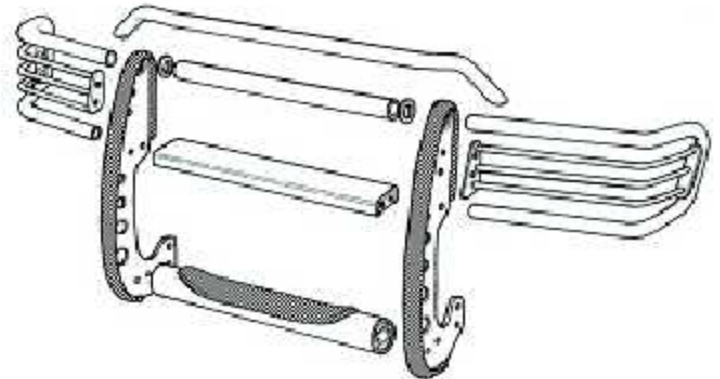
**W  
A  
R  
N  
I  
N  
G**

Carefully read all the instructions prior to attempting to install this product. If you are not familiar with using workshop tools or with workshop safety practices, take the product and vehicle to a skilled installer. Go Rhino! Products accept no responsibility for any damage or injuries that may result from the product(s) being incorrectly installed. Before attempting to install accessories, park the vehicle on flat level ground, apply the emergency brake and disconnect the battery. If installation requires the use of a jack or lift, use only one with the correct load rating for the vehicle, follow the manufacturer's instructions and use wheel chocks. After installation, check the operation of all lights and turn signals; periodically check all fasteners for tightness. Retighten only loose fasteners as over-tightening snug fasteners can result in breaking or stripping them. Failure to maintain tightness of fasteners could result in the product detaching itself from the vehicle and possibly jamming wheels etc. This condition could cause serious personal bodily injury.

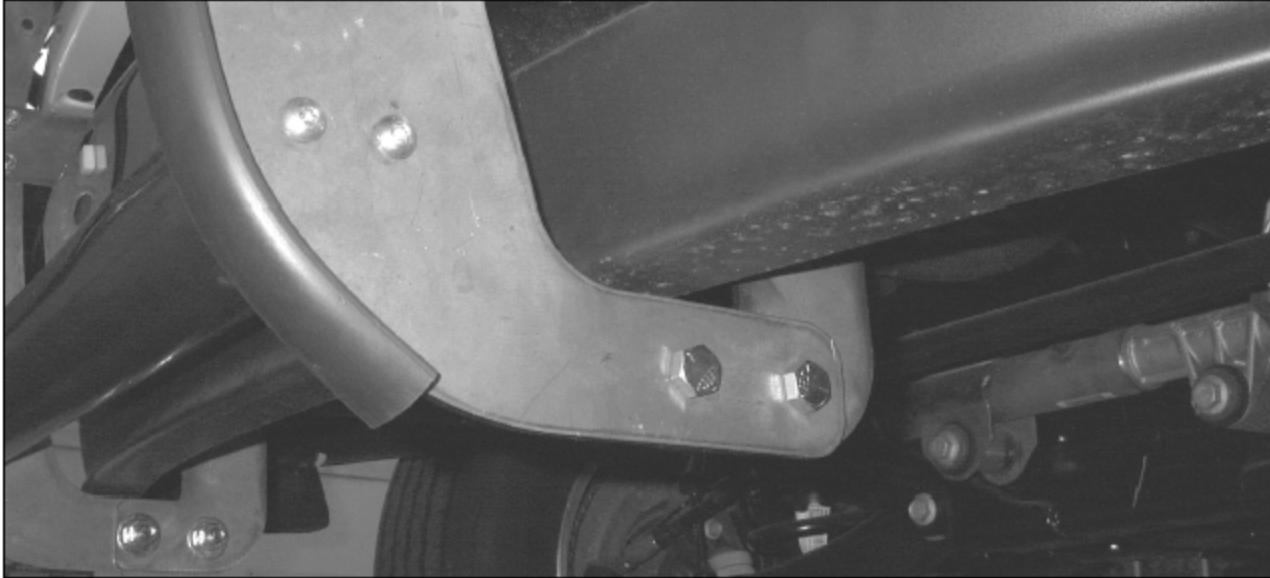
**W  
A  
R  
N  
I  
N  
G**

### **ASSEMBLY INSTRUCTIONS:**

- 1) BEGIN THE ASSEMBLY BY LOOSELY ATTACHING THE BOTTOM STEP TUBE TO THE GRILLE GUARD SIDE PLATES USING THE 3/8" X 1" BUTTON HEAD BOLTS.
- 2) INSERT THE FLANGE WASHERS IN THE SIDE PLATES. POSITION THE TOP TUBE BETWEEN THE GRILLE GUARD SIDE PLATES, AND SLIDE THE BRUSH GUARDS THROUGH THE SIDE PLATES, FLANGED WASHERS AND INTO THE TOP TUBE.
- 3) POSITION THE CENTER PLATE BETWEEN THE SIDE PLATES, AND ATTACH THE CENTER PLATE TO THE SIDE PLATES AND BRUSH GUARDS USING THE 3/8" X 1" BUTTON BOLTS, FLAT AND LOCK WASHERS, AND HEX NUTS.
- 4) ATTACH THE EUROTUBE TO THE BRUSH GUARDS USING THE 5/16" X 1 3/4" FLAT HEAD SCREWS.
- 5). ALIGN THE GRILLE AND BRUSH GUARD ASSEMBLY AND TIGHTEN ALL NUTS AND BOLTS. NOTE: SECURE THE TOP TUBE USING THE 1/4" SOCKET SCREWS.
- 6) ATTACH THE HEAD LIGHT PROTECTORS TO THE BRUSH GUARDS USING THE 1/4" X 3/4" BUTTON HEAD BOLTS AND TO THE SIDE PLATES USING THE 5/16" X 1" BUTTON HEAD BOLTS AND LOCK NUTS.



**STEP 6.** ATTACH THE GRILLE GUARD ASSEMBLY TO THE FRAME BRACKETS USING THE 1/2" FASTENERS AND TO THE UPPER BRACKETS USING THE 3/8" FASTENERS SUPPLIED.



**STEP 7.** ALIGN THE GRILLE GUARD ASSEMBLY WITH THE FRONT OF THE VEHICLE AND TIGHTEN ALL MOUNTING NUTS AND BOLTS.



**IMPORTANT:** CAREFULLY CLOSE THE HOOD AND CHECK FOR CLEARANCE BETWEEN THE GRILLE AND GRILLE GUARD TOP TUBE.

IF NECESSARY, LOOSEN THE MOUNTING BRACKETS AND ADJUST.

**FOR TECHNICAL OR WARRANTY INFORMATION CALL:**  
**GO RHINO! Products XtremeRacks QuickRacks**  
591 W. Apollo St. Brea, CA 92821  
**(714)255-0420 (888)427-4466 FAX(714)529-5252**