



3000 SERIES STEPGUARD

GRILLE GUARD ASSEMBLY INSTRUCTIONS

PART NO. 3195B & 3195C 97 - 04 DODGE DAKOTA P.U. 2/4 WD

Do not attempt to install this product on any vehicle other than the one it is designed for and listed above!

PART LIST

<u>QTY</u>	<u>PART DESCRIPTION</u>	<u>QTY</u>	<u>PART DESCRIPTION</u>
2	1/2 x 1" HEX BOLT	1	1078DF DRIVER FRAME BRACKET
2	1/2" HEX NUT	1	1078PF PASSENGER FRAME BRACKET
4	3/8 x 1 1/4" HEX BOLT	1	1078TD DRIVER TOP BRACKET
6	3/8 x 1" HEX BOLT	1	1078TP PASSENGER TOP BRACKET
4	3/8 x 1" BUTTON BOLT	1	P200 PLUG KIT
6	3/8" FLAT WASHER	1	6" PIECE FOAM TAPE
10	3/8" LOCK WASHER		
10	3/8" HEX NUT		

ASSEMBLY INSTRUCTIONS

READ THE ASSEMBLY AND INSTALLATION INSTRUCTIONS COMPLETELY BEFORE YOU BEGIN.

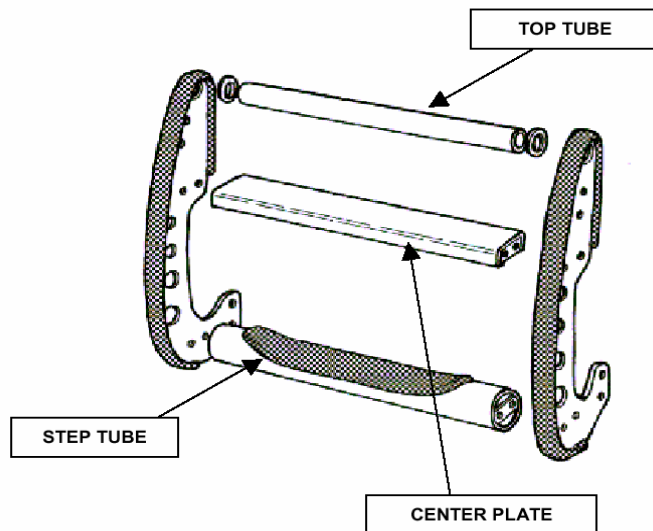
STEP 1. BEGIN THE GRILLE ASSEMBLY BY LAYING THE COMPONENTS OUT ON A PROTECTIVE SURFACE.

STEP 2. INSTALL THE TUBE CONNECTORS FROM THE P200 PLUG KIT INTO THE TOP TUBE.

STEP 3. POSITION THE STEP TUBE, CENTER PLATE AND TOP TUBE BETWEEN THE GRILLE GUARD SIDE PLATES.

STEP 4. ATTACH THE STEP TUBE TO THE SIDE PLATES USING THE 3/8" x 1" BUTTON HEAD BOLTS AND LOCK WASHERS, THE CENTER PLATE USING THE 3/8" X 1 1/4" HEX HEAD BOLTS, FLAT AND LOCK WASHERS, AND NUTS, AND TOP TUBE USING THE P200 PLUG KIT HARDWARE.

STEP 5. ALIGN THE GRILLE AND BRUSH GUARD ASSEMBLY AND TIGHTEN ALL NUTS AND BOLTS.



INSTALLATION INSTRUCTIONS

READ THE ASSEMBLY AND INSTALLATION INSTRUCTIONS COMPLETELY BEFORE YOU BEGIN.

STEP 1. OPEN THE HOOD OF VEHICLE AND LOCATE PASSENGER SIDE BUMPER BRACKET. SEE DIAGRAM "A".

STEP 2. ATTACH 1078TP TOP BRACKET TO PASSENGER SIDE BUMPER BRACKET USING 1/2 x 1" HEX BOLT AND HEX NUT AS SHOWN IN DIAGRAM "A". DO NOT SECURE. **NOTE:** CUT AND APPLY FOAM TAPE TO BUMPER CONTACT EDGE OF 1078TP TOP BRACKET.

STEP 3. LOCATE AND REMOVE THE TWO HEX NUTS FROM BUMPER SUPPORT BRACKET MOUNTING STUDS SHOWN IN DIAGRAM "B".

STEP 4. POSITION 1078PF PASSENGER FRAME BRACKET INSIDE FRAME AND OVER STUDS. INSTALL ATTACHING NUTS AS SHOWN IN DIAGRAM "B". DO NOT SECURE.

STEP 5. REPEAT ABOVE STEPS FOR DRIVER SIDE BRACKETS.

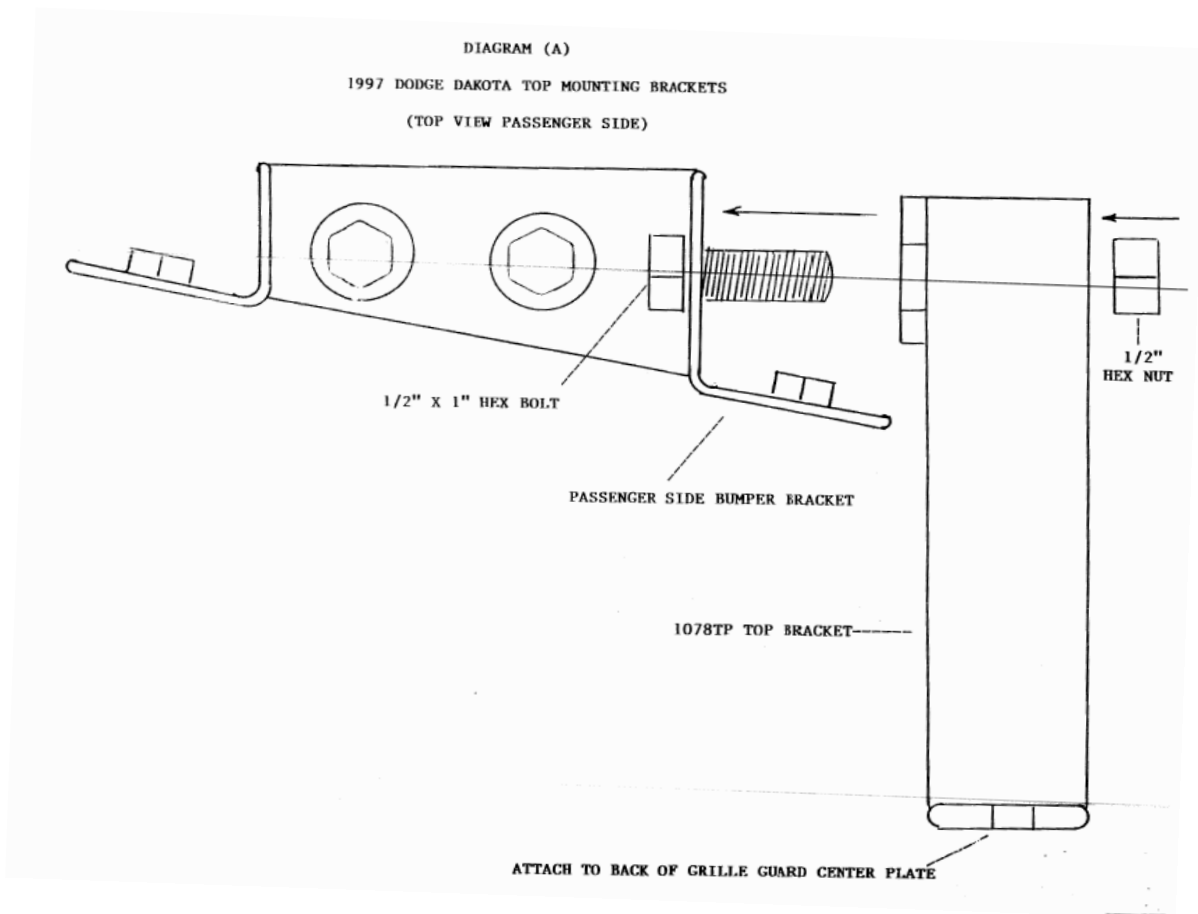
STEP 6. ATTACH GRILLE GUARD ASSEMBLY TO TOP BRACKETS AND TO THE OUTSIDE OF LOWER FRAME BRACKETS USING 3/8 x 1" HEX HEAD BOLTS. FLAT AND LOCK WASHERS AND HEX NUTS.

STEP 5. ALIGN THE GRILLE GUARD ASSEMBLY WITH FRONT OF VEHICLE AND TIGHTEN ALL NUTS AND BOLTS.

LICENSE PLATE RELOCATION INSTRUCTIONS

STEP 1. REMOVE AND DISCARD FACTORY LICENSE PLATE MOUNTING BRACKET FROM FRONT OF VEHICLE.

STEP 2. ATTACH BOTTOM OF LICENSE PLATE TO FACTORY BRACKET MOUNTING HOLES IN BUMPER VALANCE USING SCREWS REMOVED IN STEP 1.



PASSENGER SIDE
FRAME RAIL

BUMPER SUPPORT BRACKET
MOUNTING STUDS

1078PF PASSENGER SIDE FRAME BRACKET

DIAGRAM (B)

1997 DODGE DAKOTA FRAME MOUNTING BRACKETS
(FRONT VIEW PASSENGER SIDE)

ATTACH GRILLE GUARD
ASSEMBLY TO OUTSIDE