



Chrome Modular StepGuard

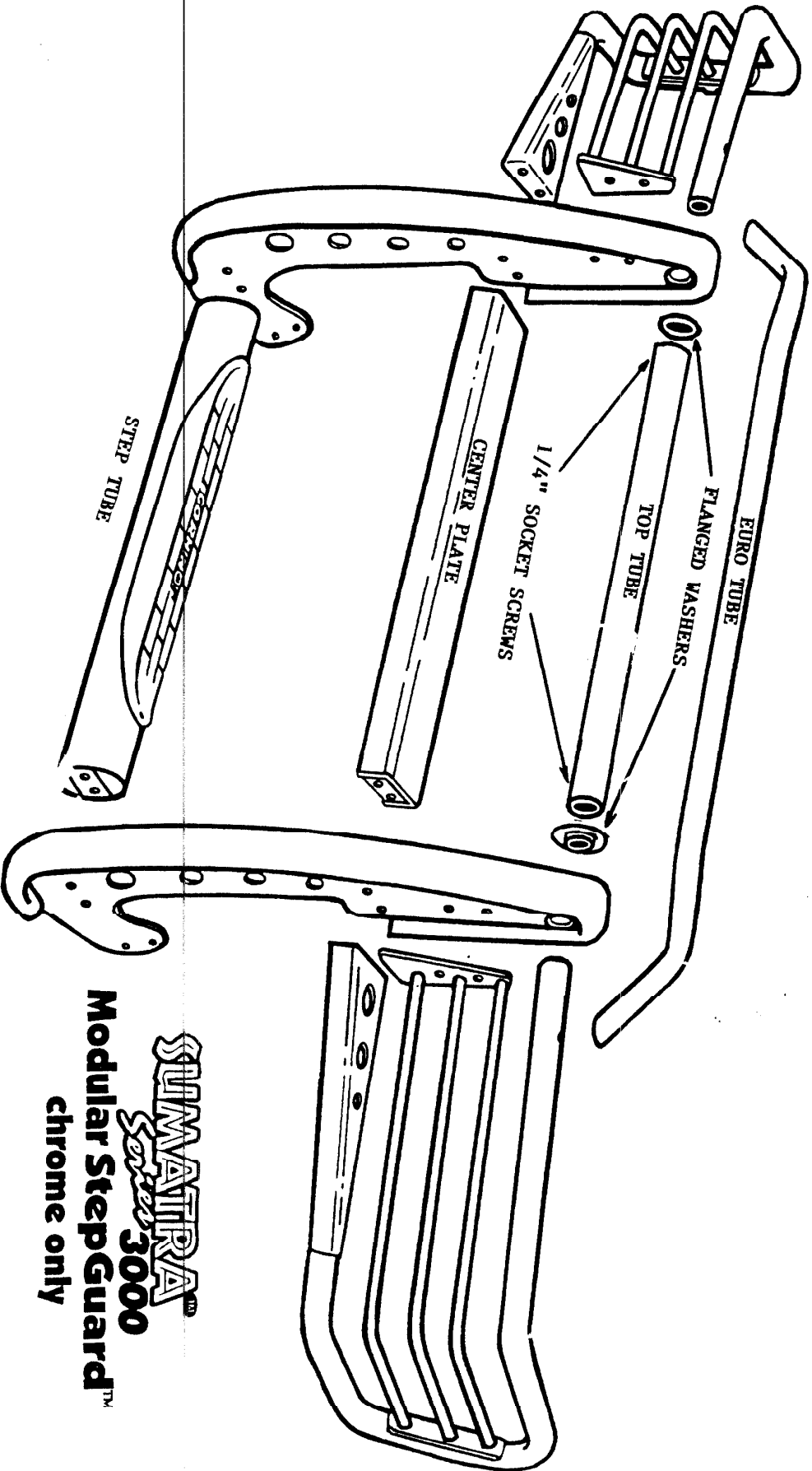
1994-UP DODGE RAM P/U 2/4WD PART NO. 3185MC

PARTS LIST

2	1/4" SOCKET SCREWS	2	1/2" X 4 1/2" HEX BOLTS
2	1/4" X 3/4" HEX BOLTS	4	1/2" X 1 1/2" HEX BOLTS
2	1/4" FLAT WASHERS	4	1/2" FLAT WASHERS
2	1/4" HEX NUTS	6	1/2" LOCK WASHERS
8	3/8" X 1" BUTTON HEAD BOLTS	6	1/2" HEX NUTS
4	3/8" X 1" HEX BOLTS	2	5/8" HEX NUTS
6	3/8" FLAT WASHERS	2	PLASTIC FLANGED WASHERS
8	3/8" LOCK WASHERS	2	94077 FRAME BRACKETS
8	3/8" HEX NUTS	2	93400 CENTER BRACKETS

ASSEMBLY INSTRUCTIONS

- STEP 1: ASSEMBLE GRILLE AND BRUSH GUARD ASSEMBLY AS FOLLOWS PER DIAGRAM.
- STEP 2: PLACE CENTER GUARD SIDE PLATES ON A FLAT SURFACE FACE DOWN.
- STEP 3: ATTACH BOTTOM STEP TUBE TO INSIDE OF GRILLE GUARD SIDE PLATES USING 3/8" X 1" BUTTON HEAD BOLTS. DO NOT SECURE.
- STEP 4: ASSEMBLE BRUSH GUARDS LEFT AND RIGHT BY SLIDING THROUGH SIDE PLATES, FLANGED WASHERS THEN INTO TOP TUBE. NOTE: LUBRICATE BRUSH GUARD TUBES TO EASE ASSEMBLY.
- STEP 5: ATTACH EURO TUBE TO BRUSH GUARDS USING 5/16" X 1 3/4" FLAT HEAD SCREWS AS SHOWN IN DIAGRAM INCLUDED WITH EURO TUBE. DO NOT SECURE.
- STEP 6: POSITION CENTER PLATE BETWEEN SIDE PLATES, ATTACH CENTER PLATE TO SIDE PLATES AND BRUSH GUARDS USING 3/8" X 1" HEX BOLTS, LOCK WASHERS AND HEX NUTS. NOTE: THREADS MUST FACE OUTWARDS ON BOLTS.
- STEP 7: ATTACH HEAD LIGHT PROTECTORS FIRST TO BRUSH GUARDS WITH 1/4" X 3/4" BUTTON HEAD BOLTS THEN TO GRILLE GUARD USING 5/16" X 1" BUTTON HEAD BOLTS AND LOCK NUTS.
- STEP 8: ALIGN GRILLE AND BRUSH GUARD ASSEMBLY AND SECURE ALL NUTS AND BOLTS.
- STEP 9: ROTATE TOP TUBE TOWARDS GRILLE AND SECURE USING 1/4" SOCKET SCREWS.



SUMATRAN
Series **3000**
Modular StepGuard™
chrome only

INSTALLATION INSTRUCTIONS

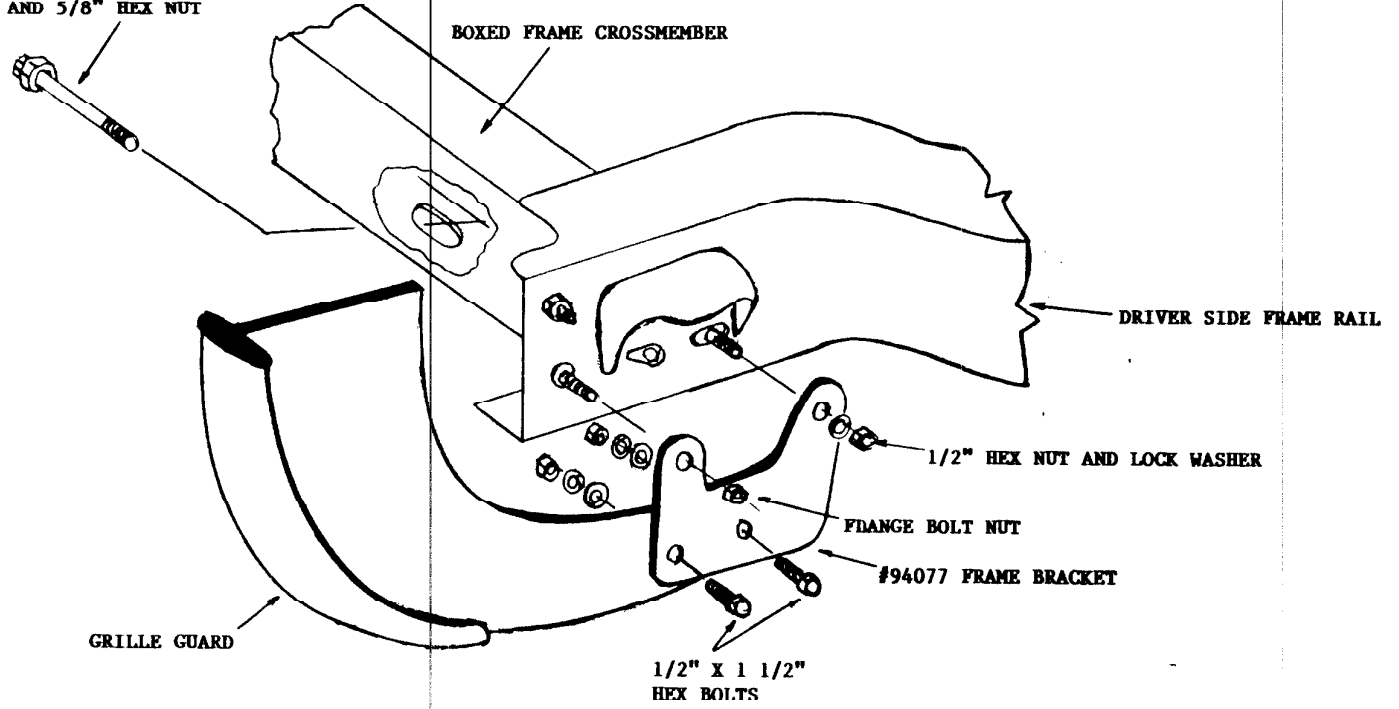
- STEP 1: REMOVE CONTENTS FROM SHIPPING CARTONS AND CHECK PARTS.
- STEP 2: READ INSTRUCTION SHEET COMPLETELY BEFORE BEGINING INSTALLATION.
NOTE: FRONT SPOILER MUST BE MODIFIED TO INSTALL GRILLE GUARD.
- STEP 3: USING ONE OF THE 1/2" X 4 1/2" HEX BOLTS AND 5/8" HEX NUTS, SLIDE THE HEX NUT OVER THE SHANK OF THE BOLT. POSITION THE ASSEMBLED NUT AND BOLT (THREADED END FIRST) UP THROUGH OPENING IN BOTTOM OF THE FRONT CROSSMEMBER AND SLIDE THROUGH OBOURD HOLES IN SIDE OF FRAME RAIL AS SHOWN IN DIAGRAM (A). NOTE: 94-96 MODELS DO NOT HAVE THE BOXED FRONT CROSSMEMBER.
- STEP 4: REMOVE THE TWO HEX NUTS AND FLANGE BOLT ASSEMBLY THAT SECURE THE BUMPER BRACKET TO THE INSIDE OF THE FRAME RAIL. POSITION THE FLANGE BOLT ASSEMBLY FROM INSIDE OF THE FRAME RAIL WITH THE THREADS FACING OUTWARDS.
- STEP 5: POSITION ONE OF THE 94077 FRAME BRACKETS ON THE OUT SIDE OF THE FRAME OVER THE LOWER FLANGE BOLT AND 1/2" X 4 1/2" HEX BOLT AS SHOWN IN DIAGRAM (A). SECURE USING FLANGE BOLT NUTS AND 1/2" HEX NUT AND LOCK WASHERS. DO NOT TIGHTEN.
- STEP 6: REPEAT THE ABOVE STEPS FOR THE PASSENGER SIDE.
- STEP 7: REMOVE THE LICENSE PLATE AND PLASTIC MOUNTING BRACKET FROM FRONT BUMPER. USING THE BOTTOM HOLES IN THE LICENSE PLATE, ATTACH THE LICENSE PLATE TO THE FACTORY BRACKET TOP MOUNTING POINTS ON FACE OF METAL BUMPER. SECURE USING 1/4" X 3/4" HEX BOLTS, FLAT WASHERS AND HEX NUTS SUPPLIED.
- STEP 8: MEASURE OVER APPROXIMATELY 17 1/2" AND 18" FROM CENTER OF THE FRONT SPOILER ON BOTH SIDES AND SCRIBE VERTICAL LINES. MEASURE INTERSECTING LINES APPROXIMATELY 3/4" AND 3 3/4" UP FROM BOTTOM EDGE OF THE SPOILER. USING A UTILITY KNIFE CUT AND REMOVE THE SPOILER SECTION BETWEEN THE LINES. NOTE: VERIFY MEASUREMENTS BEFORE CUTTING.
- STEP 9: PLACE THE LOWER LEGS OF THE GRILLE AND BRUSH GUARD ASSEMBLY THROUGH SLOTS CUT OUT IN SPOILER AND ATTACH TO THE INSIDE OF THE FRAME BRACKETS USING 1/2" X 1 1/2" HEX BOLTS, FLAT WASHERS, LOCK WASHERS AND HEX NUTS. DO NOT TIGHTEN.
- STEP 10: USING THE 1/2" HOLES IN THE CENTER PLATE, ATTACH THE SHORT END OF THE 93400 BRACKETS TO THE UNDERSIDE OF THE CENTER PLATE WITH 3/8" X 1" BUTTON HEAD BOLTS, FLAT WASHERS, LOCK WASHERS AND HEX NUTS SUPPLIED. DO NOT TIGHTEN.
- STEP 11: ALIGN 93400 BRACKETS WITH TOP OF BUMPER AND DRILL 3/8" HOLES THROUGH BUMPER USING THE HOLES IN BRACKETS AS A GUIDE. ATTACH BRACKETS TO BUMPER USING 3/8" X 1" BUTTON HEAD BOLTS, FLAT WASHER, LOCK WASHERS AND HEX NUTS.
IMPORTANT: OPEN HOOD AND CHECK CLEARANCE BETWEEN GRILLE AND TOP TUBES BEFORE DRILLING.
- STEP 12: ALIGN GRILLE GUARD ASSEMBLY WITH FRONT OF VEHICLE AND SECURE ALL MOUNTING BOLTS.

DODGE RAM 2/4WD P/U DIAGRAM (A)
ASSEMBLY VIEW OF DRIVER SIDE

1/2" X 4 1/2" HEX BOLT
AND 5/8" HEX NUT

BOXED FRAME CROSSMEMBER

DRIVER SIDE FRAME RAIL



DODGE RAM 2/4WD P/U DIAGRAM (B)

