

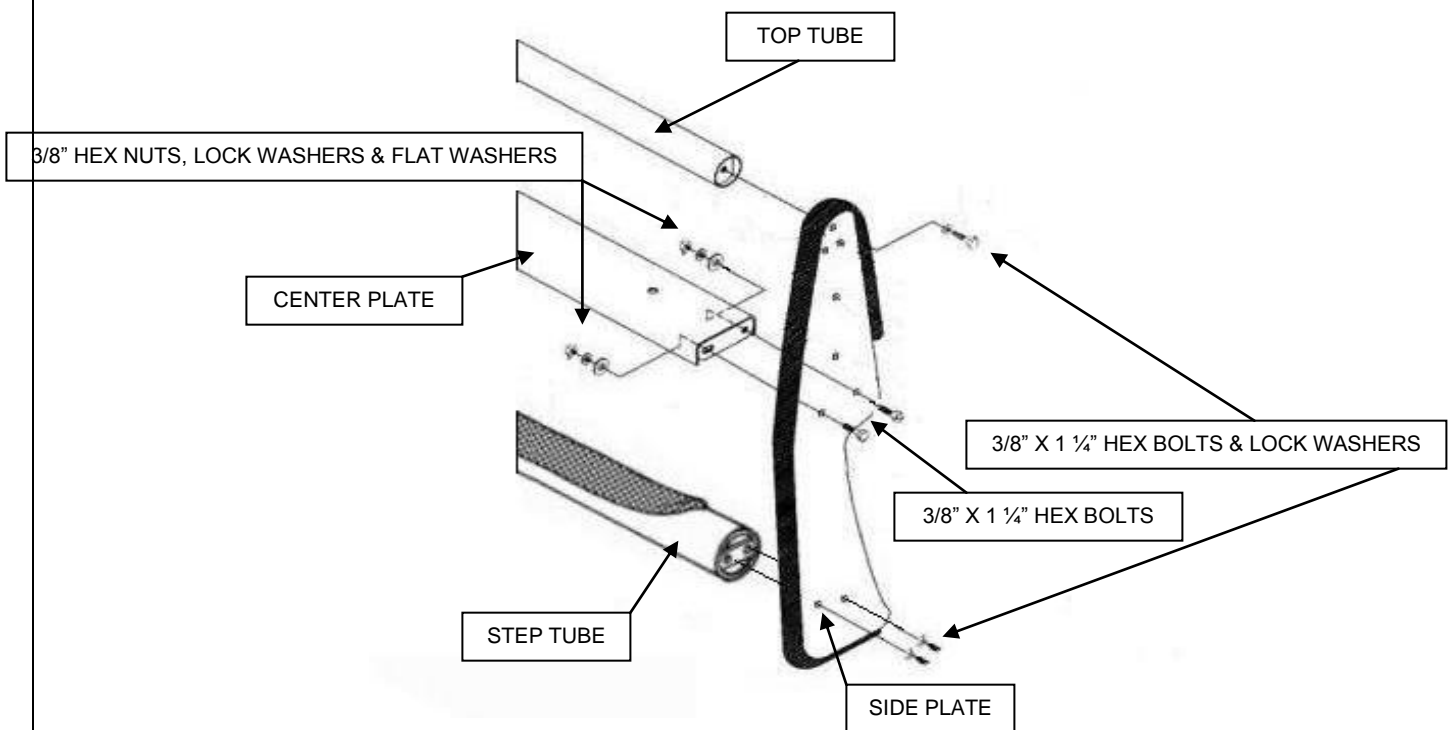
## INSTALLATION INSTRUCTIONS

3000 SERIES STEP GUARD (CENTER GRILLE GUARD ONLY)  
CHEVROLET SUBURBAN 2500 2/4WD  
PART # 3161 (B-C)

**GORRHINO** 

### PACKING LIST

| <u>QTY</u> | <u>PARTS DESCRIPTION</u> | <u>QTY</u> | <u>PARTS DESCRIPTION</u>             |
|------------|--------------------------|------------|--------------------------------------|
| 10         | 3/8" X 1 1/4" HEX BOLTS  | 2          | 3160 SIDE PLATES                     |
| 10         | 3/8" LOCK WASHERS        | 1          | ST3160 3" X 35 3/4" BOTTOM STEP TUBE |
| 4          | 3/8" HEX NUTS            | 1          | TT3534 2" X 35 3/4" TOP TUBE         |
| 4          | 3/8" FLAT WASHERS        | 1          | CP3036 35 3/4" SPECIAL CENTER PLATE  |



### ASSEMBLY

- STEP 1.** BEGIN THE GRILLE GUARD ASSEMBLY BY LAYING THE COMPONENTS OUT ON A PROTECTIVE SURFACE.
- STEP 2.** POSITION THE GRILLE GUARD SIDE PLATES WITH THE FRONT EDGE DOWN AND THE 2" TOP AND BOTTOM STEP TUBE BETWEEN THE SIDE PLATES.
- STEP 3.** ATTACH THE TOP AND BOTTOM STEP TUBE TO THE SIDE PLATES USING THE 3/8" X 1 1/4" HEX BOLTS AND LOCK WASHERS. DO NOT TIGHTEN.
- STEP 4.** POSITION THE CENTER PLATE BETWEEN THE GRILLE GUARD SIDE PLATES, WITH THE **SLOTTED MOUNTING HOLES** IN THE CENTER PLATE DOWN.
- STEP 5.** INSERT THE 3/8" X 1 1/4" HEX BOLTS THROUGH THE HOLES IN THE SIDE PLATES AND CENTER PLATE, AND INSTALL THE 3/8" FLAT WASHERS, LOCK WASHER AND HEX NUTS. DO NOT TIGHTEN.
- STEP 6.** ALIGN THE GRILLE GUARD ASSEMBLY, AND TIGHTEN ALL NUTS AND BOLTS.

## INSTALLATION INSTRUCTIONS

3000 SERIES STEP GUARD (CENTER GRILLE GUARD ONLY)  
CHEVROLET SUBURBAN 2500 2/4WD  
PART # 3161 (B-C)



### PACKING LIST

| <u>QTY</u> | <u>PARTS DESCRIPTION</u>     | <u>QTY</u> | <u>PARTS DESCRIPTION</u>      |
|------------|------------------------------|------------|-------------------------------|
| 6          | 1/4" X 3/4" HEX BOLTS        | 10         | 1/2" X 1 1/2" HEX BOLTS       |
| 6          | 1/4" FLAT WASHERS            | 10         | 1/2" LOCK WASHERS             |
| 6          | 1/4" HEX NUTS                | 2          | 1681 LOWER BRACKETS           |
| 2          | 5/16" X 1" BUTTON HEAD BOLTS | 1          | 1610D DRIVER LOWER BRACKET    |
| 2          | 5/16" FLAT WASHERS           | 1          | 1610P PASSENGER LOWER BRACKET |
| 2          | 5/16" LOCK NUTS              | 1          | 1601D DRIVER UPPER BRACKET    |
| 20         | 1/2" FLAT WASHERS            | 1          | 1601P PASSENGER UPPER BRACKET |
| 10         | 1/2" HEX NUTS                | 2          | 1122LP LICENSE PLATE BRACKETS |

### INSTALLATION

**STEP 1.** READ THE INSTRUCTIONS COMPLETELY.

BEGINNING WITH THE DRIVER SIDE REMOVE THE (4) SCREWS AND 5MM HEX BOLT SECURING THE FRONT FASCIA FILLER PANEL. **FIG. #1**

**STEP 2.** LOCATE AND REMOVE THE PLASTIC TOW HOOK COVER FROM THE LOWER BUMPER FASCIA. IF EQUIPPED, TEMPORALLY REMOVE THE BOLTS AND TOW HOOKS.

**STEP 3.** FROM BEHIND THE BUMPER FASCIA, INSERT 1610D LOWER MOUNTING BRACKET THROUGH THE OPENING IN THE FASCIA AND REPOSITION THE TOW HOOK INSIDE THE FRAME. **FIG #2**

**STEP 4.** ATTACH 1610D AND 1681 LOWER BRACKETS TO THE FRAME USING THE FACTORY TOW HOOK NUT AND BOLTS. ATTACH THE (2) LOWER BRACKETS TOGETHER USING (1) 1/2" X 1 1/2" HEX BOLT, FLAT WASHERS, LOCK WASHER AND HEX NUT. **FIG. #3 & FIG. #4** DO NOT TIGHTEN.

**NOTE:** IF THE VEHICLE IS NOT EQUIPPED WITH FACTORY TOW HOOKS, ATTACH THE LOWER BRACKETS TO THE FRAME USING THE 1/2" X 1 1/2" HEX BOLTS, FLAT WASHERS LOCK WASHERS AND NUTS SUPPLIED.

REPEAT THE ABOVE STEPS TO INSTALL THE PASSENGER SIDE LOWER BRACKETS.

**STEP 5.** ATTACH THE GRILLE GUARD ASSEMBLY TO THE LOWER BRACKETS USING (4) 1/2" X 1 1/2" HEX BOLTS, FLAT WASHERS, LOCK WASHERS AND HEX NUTS. **FIG. #5**

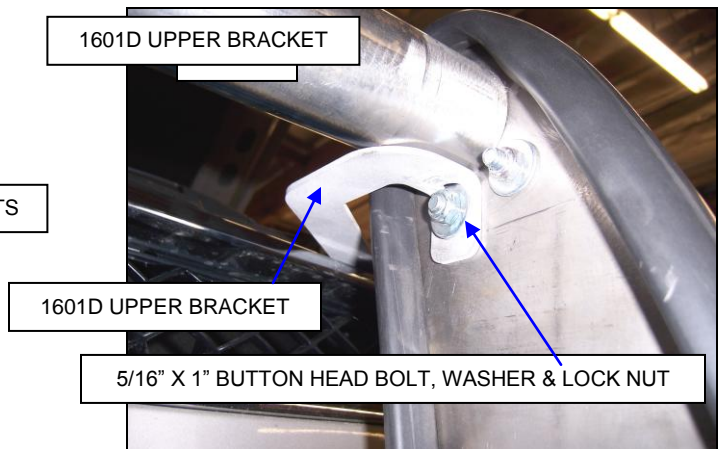
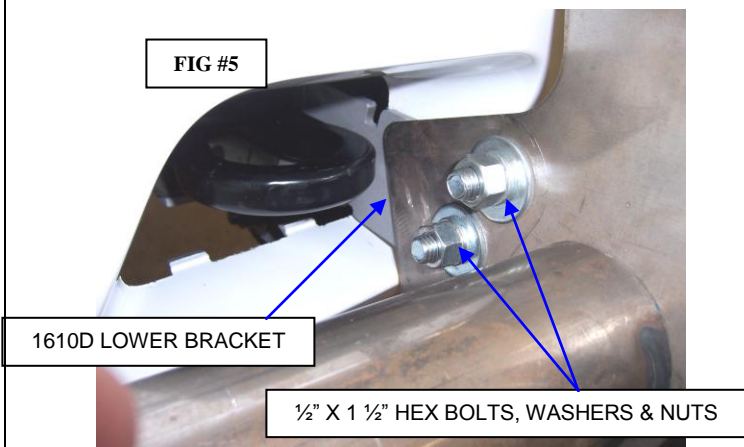
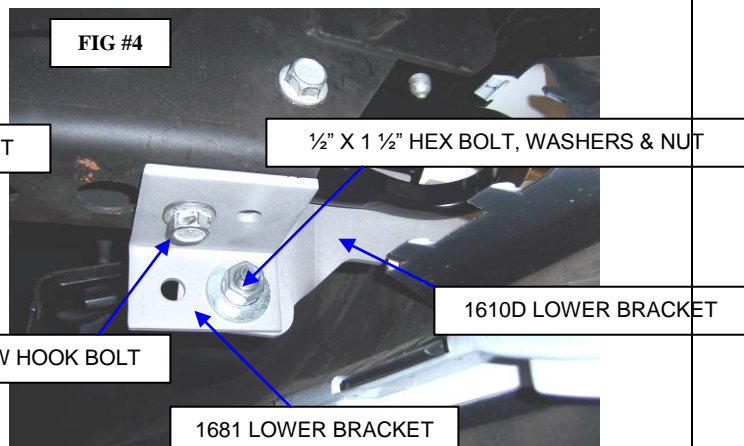
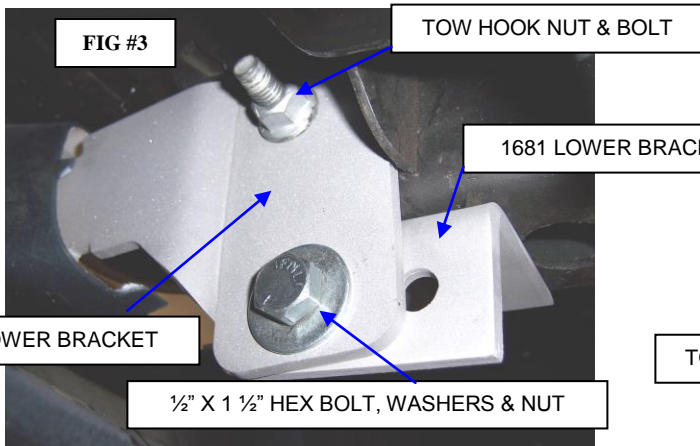
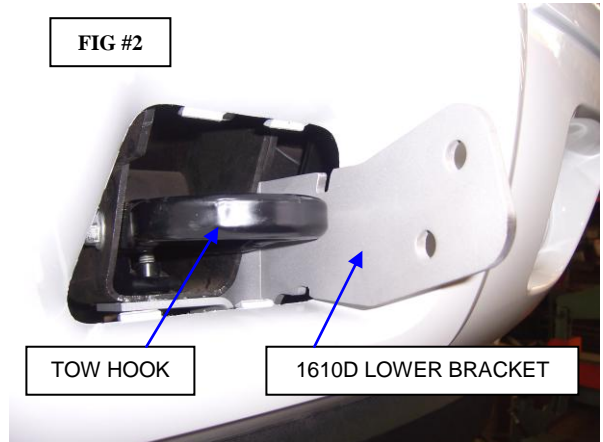
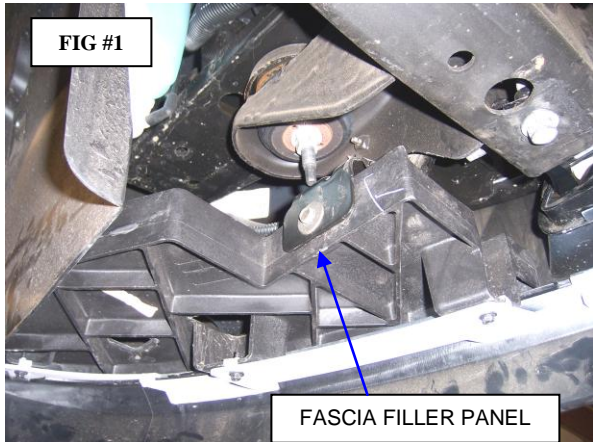
**STEP 6.** OPEN THE HOOD. LOCATE AND REMOVE THE SCREWS SECURING THE GRILLE TO THE RADIATOR SHROUD.

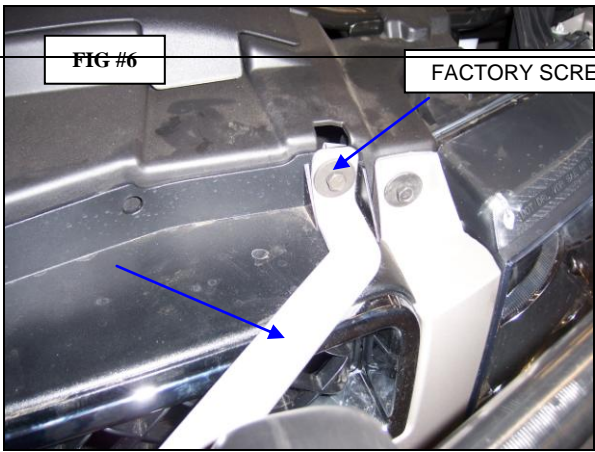
**STEP 7.** ATTACH 1601D UPPER BRACKET TO THE RADIATOR SHROUD USING THE FACTOR SCREW AND TO THE GRILLE GUARD SIDE PLATE USING (1) 5/16" X 3/4" BUTTON HEAD BOLT, FLAT WASHER AND LOCK NUT. **FIG. #6 & FIG. #7** DO NOT TIGHTEN.

REPEAT THE ABOVE STEP TO INSTALL THE PASSENGER SIDE UPPER BRACKET.

**STEP 8.** ALIGN THE GRILLE GUARD ASSEMBLY WITH THE FRONT OF THE VEHICLE AND TIGHTEN ALL MOUNTING NUTS AND BOLTS. REATTACH THE FASCIA FILLER PANELS.

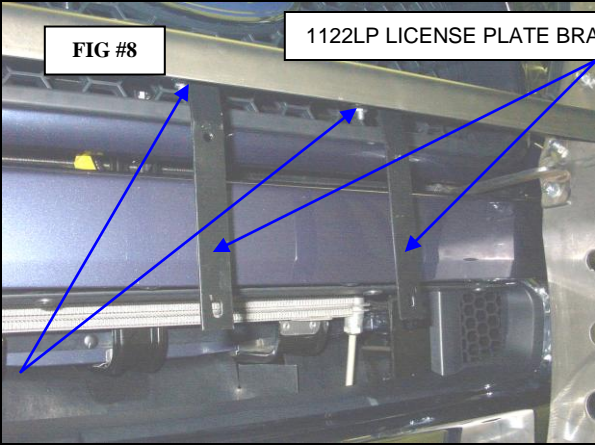
IF YOUR STATE LAW REQUIRES A FRONT LICENSE PLATE, ATTACH THE 1122LP BRACKETS, AND LICENSE PLATE TO THE GRILLE GUARD CENTER PLATE USING THE 1/4" HEX BOLTS, WASHERS AND NUTS. **FIG. #8**





**FIG #6**

**FACTORY SCREW**



**FIG #8**

**1122LP LICENSE PLATE BRACKETS**