

## 3000 SERIES STEPGUARD

### GRILLE GUARD ASSEMBLY INSTRUCTIONS

PART NO. 3150B & 3150C 03 - 06 Chevy Avalanche1500 / Silverado 1500 (07 Classic)  
2/4 WD P/U

**Do not attempt to install this product on any vehicle other than the one it is designed for and listed above!**

#### PART LIST

<u>QTY</u>	<u>PART DESCRIPTION</u>	<u>QTY</u>	<u>PART DESCRIPTION</u>
4	1/2 x 1 1/2" HEX BOLT	1	1024CD DRIVER FRAME BRACKET
6	1/2" FLAT WASHER	1	1024CP PASSENGER FRAME BRKT
6	1/2" LOCK WASHER	1	1100AD DRIVER UPPER BRACKET
4	1/2" HEX NUT	1	1100AP PASSENGER UPPER BRKT
4	3/8 x 1 1/4" HEX BOLT	1	1110LP LICENSE PLATE BRACKET
6	3/8 x 1" HEX BOLT	2	1 X 1 1/4" TUBULAR SPACER
4	3/8 x 1" BUTTON ALLEN BOLT	2	1/4 X 3/4" HEX BOLT
10	3/8" LOCK WASHER	2	1/4" FLAT WASHER
8	3/8" HEX NUT	2	1/4" HEX NUT
2	12-1.75 x 70mm HEX BOLT	1	P200 PLUG KIT

#### ASSEMBLY INSTRUCTIONS

**READ THE ASSEMBLY AND INSTALLATION INSTRUCTIONS COMPLETELY BEFORE YOU BEGIN.**

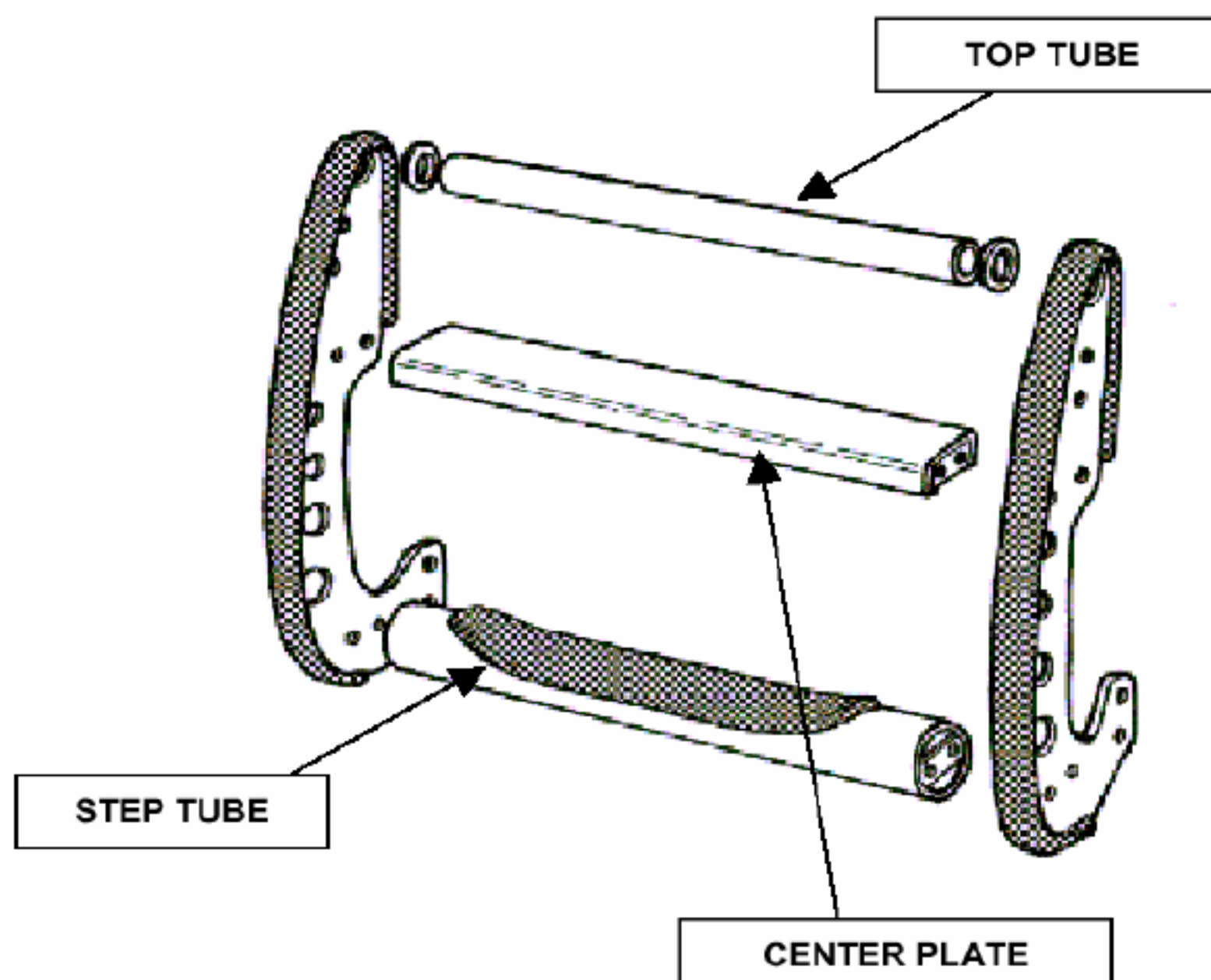
**STEP 1.** BEGIN THE GRILLE ASSEMBLY BY LAYING THE COMPONENTS OUT ON A PROTECTIVE SURFACE.

**STEP 2.** INSTALL THE TUBE CONNECTORS FROM THE P200 PLUG KIT INTO THE TOP TUBE.

**STEP 3.** POSITION THE STEP TUBE, CENTER PLATE AND TOP TUBE BETWEEN THE GRILLE GUARD SIDE PLATES.

**STEP 4.** ATTACH THE STEP TUBE TO THE SIDE PLATES USING THE 3/8" x 1" BUTTON HEAD BOLTS, THE CENTER PLATE USING THE 3/8" X 1 1/4" HEX HEAD BOLTS, LOCK WASHERS, AND NUTS, AND TOP TUBE USING THE P200 PLUG KIT HARDWARE.

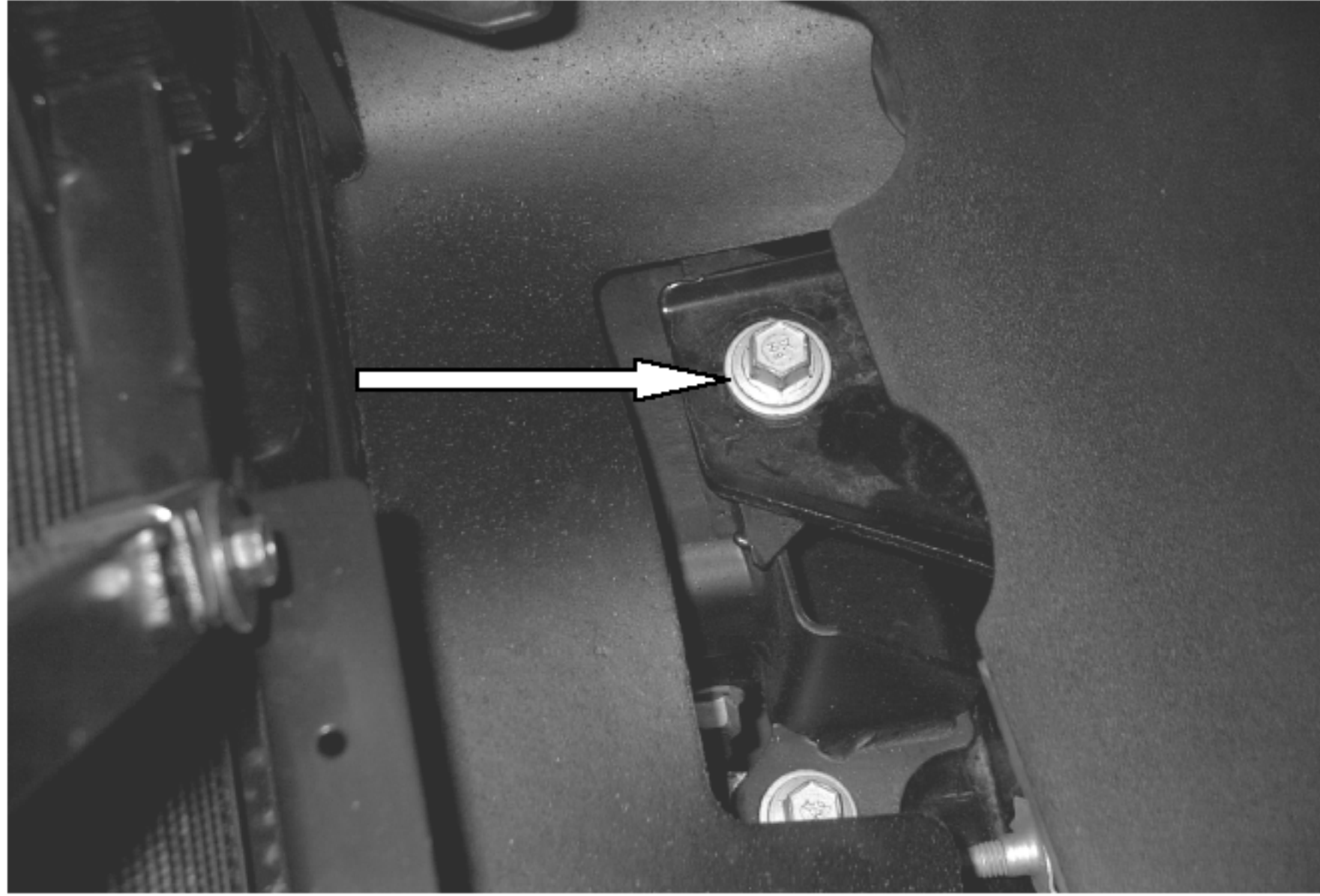
**STEP 5.** ALIGN THE GRILLE ASSEMBLY AND TIGHTEN ALL NUTS AND BOLTS.





## INSTALLATION INSTRUCTIONS

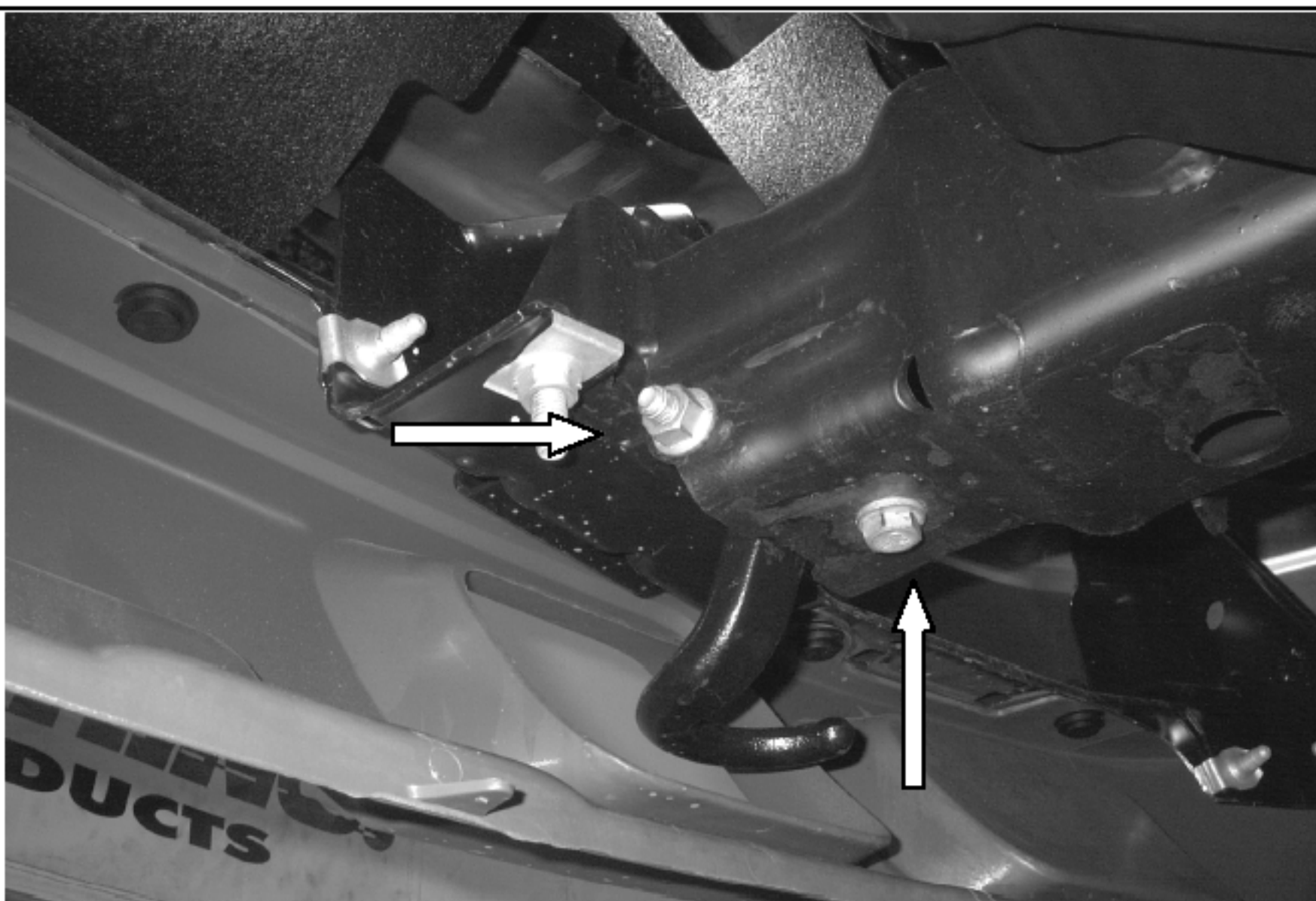
NOTE: SOME MODELS MAY REQUIRE NOTCHING THE LOWER BUMPER FASCIA.



**STEP 1.** BEGINNING WITH THE PASSENGER SIDE, LOCATE AND REMOVE THE UPPER BUMPER BOLT. THE BOLT IS LOCATED BEHIND THE GRILLE ON THE TOP OF THE BUMPER. THE BOLT IS ACCESSIBLE BY REMOVING THE RIVETS AND PLASTIC TRIM PANEL ON TOP OF THE GRILLE, AND REACHING DOWN THROUGH THE OPENING.



**STEP 2.** POSITION 1100AP UPPER BRACKET THROUGH THE OPENING IN THE BUMPER. LOOSELY ATTACH THE BRACKET TO THE BUMPER USING THE 12MM X 70MM BOLT, TUBULAR SPACER AND 1/2" WASHERS.



**STEP 3.** LOCATE THE PASSENGER SIDE TOW HOOK MOUNTING BOLTS. REMOVE THE BOLT FROM THE BOTTOM AND THE HEX NUT FROM THE UPPER BOLT THAT PASSES THROUGH THE SIDES OF THE FRAME.





**STEP 4.** POSITION 1024CP FRAME BRACKET OVER THE SHANK OF THE UPPER BOLT, AND ATTACH IT TO THE BOTTOM AND SIDE OF THE FRAME USING THE FACTORY LOWER BOLT AND NUT.

**NOTE:** IF NOT EQUIPPED WITH FACTORY TOW HOOKS, ATTACH THE MOUNTING BRACKETS TO THE FRAME USING THE 1/2" BOLTS, WASHERS, AND NUTS SUPPLIED.

**STEP 5.** REPEAT THE ABOVE STEPS FOR THE DRIVER SIDE BRACKETS.

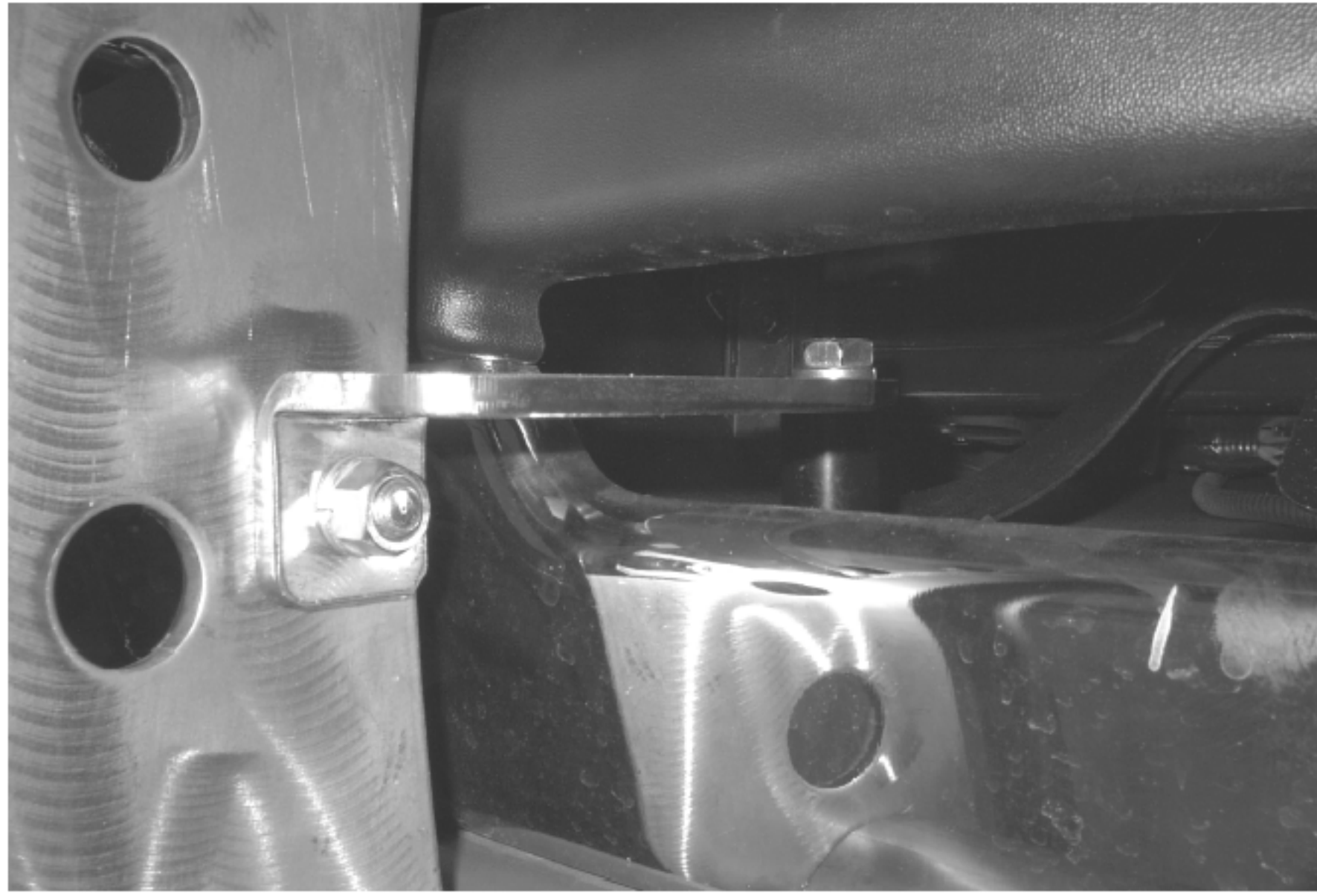


**STEP 6.** REMOVE THE LICENSE PLATE AND MOUNTING BRACKET FROM THE FRONT BUMPER. ATTACH 1100LP LICENSE PLATE BRACKET TO THE BUMPER USING THE FACTORY SCREWS, AND THE LICENSE PLATE TO THE BRACKET USING THE 1/4" FASTENERS SUPPLIED.



**STEP 7.** ATTACH THE GRILLE GUARD ASSEMBLY TO THE OUTSIDE OF THE FRAME BRACKETS, AND UPPER BRACKETS USING THE 3/8" X 1" BOLTS, LOCK WASHERS, AND NUTS. ALIGN THE GRILLE GUARD ASSEMBLY WITH THE FRONT OF THE VEHICLE AND TIGHTEN ALL NUTS AND BOLTS.





**STEP 8. RE-ATTACH THE PLASTIC TRIM PANEL.**