



3-Piece StepGuard

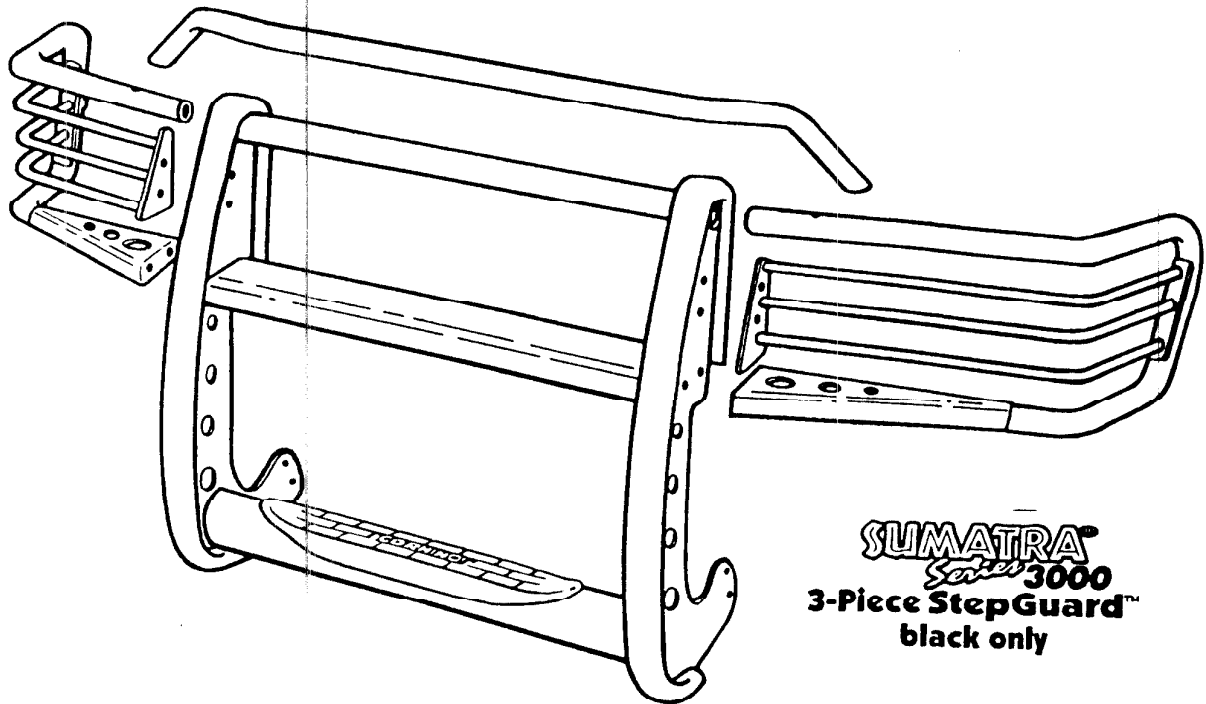
1998-UP CHEVY BLAZER, S-10P/U 4WD PART NO. 3140M

PARTS LIST

8	3/8" X 1 1/4" HEX BOLTS	2	FCB1 SPACER PLATES
8	3/8" FLAT WASHERS	1	94377P PASSENGER FRAME PRACKET
8	3/8" LOCK WASHERS	1	94377D DRIVER FRAME BRACKET
8	3/8" HEX NUTS	2	NYLON WASHERS
4	3/8 X 1" BUTTON HEAD BOLTS	2	5/16 X 1 3/4" FLAT HEAD BOLTS
4	5/16 X 1" BUTTON HEAD BOLTS	2	1/4" SCREW SOCKETS
4	5/16" LOCK NUTS		

ASSEMBLY INSTRUCTIONS

- STEP 1: ASSEMBLE GRILLE AND BRUSH GUARD ASSEMBLY AS FOLLOWS PER DIAGRAM.
- STEP 2: PLACE CENTER GUARD ON A FLAT SURFACE FACE DOWN.
- STEP 3: ASSEMBLE BRUSH GUARDS LEFT AND RIGHT BY SLIDING THROUGH SIDE PLATES THEN INTO TOP TUBE.
- STEP 4: ATTACH EURO TUBE TO BRUSH GUARDS USING 5/16" X 1 3/4" FLAT HEAD SCREWS AS SHOWN IN DIAGRAM INCLUDED WITH EURO TUBE. DO NOT SECURE.
- STEP 5: ATTACH BRUSH GUARDS TO CENTER GUARD USING 3/8" X 1" HEX BOLTS, LOCK WASHERS, AND HEX NUTS. NOTE: THREADS MUST FACE OUTWARDS ON BOLTS.
- STEP 6: ATTACH HEAD LIGHT PROTECTORS FIRST TO BRUSH GUARDS WITH 1/4" X 3/4" BUTTON HEAD BOLTS THEN TO GRILLE GUARD USING 5/16" X 1" BUTTON HEAD BOLTS AND LOCK NUTS.
- STEP 7: ALIGN GRILLE AND BRUSH GUARD ASSEMBLY AND SECURE ALL NUTS AND BOLTS.



INSTALLATION INSTRUCTIONS

- STEP 1: REMOVE MOUNTING BOLTS WHICH SECURE TOW HOOKS TO INSIDE OF FRAME RAILS.
- STEP 2: WITH TOW HOOKS IN PLACE, ATTACH DRIVER AND PASSENGER FRAME BRACKETS TO BOTTOM OF FRAME RAILS USING BOLTS REMOVED IN STEP #1. NOTE: PLACE FCBI SPACER PLATES BETWEEN FRAME BRACKETS AND BOTTOM OF FRAME.
- STEP 3: ATTACH GRILLE AND BRUSH GUARD ASSEMBLY TO THE OUTSIDE OF FRAME BRACKETS USING 3/8" X 1 1/4" HEX BOLTS, FLAT WASHERS, LOCK WASHERS AND HEX NUTS.
- STEP 4: ALIGN GRILLE AND BRUSH GUARD ASSEMBLY WITH FRONT OF VEHICLE AND SECURE ALL NUTS AND BOLTS.