



3000 SERIES STEPGUARD

GRILLE GUARD ASSEMBLY INSTRUCTIONS

PART NO. 3105B & 3105C 99-02 GMC SIERRA 1500 P/U 2/4WD (ALL MODELS), 00-06 YUKON & YUKON XL 2/4WD

Do not attempt to install this product on any vehicle other than the one it is designed for and listed above!

PART LIST

<u>QTY</u>	<u>PART DESCRIPTION</u>	<u>QTY</u>	<u>PART DESCRIPTION</u>
10	3/8 x 1" BUTTON BOLT	1	P200 PLUG KIT
6	3/8 x 1" HEX BOLT	2	1048A CENTER PLATE BRACKETS
8	3/8" FLAT WASHER	1	1048BD DRIVER SIDE FRAME BRACKET
12	3/8" LOCK WASHER	1	1048BP PASSENGER SIDE FRAME BRKT
10	3/8" HEX NUT	1	1037CD DRIVER SIDE FRAME BRACKET
2	7/16 x 1" HEX BOLT	1	1037CP PASSENGER SIDE FRAME BRKT
4	7/16" FLAT WASHER		
2	7/16" HEX NUT		

ASSEMBLY INSTRUCTIONS

READ THE ASSEMBLY AND INSTALLATION INSTRUCTIONS COMPLETELY BEFORE YOU BEGIN.

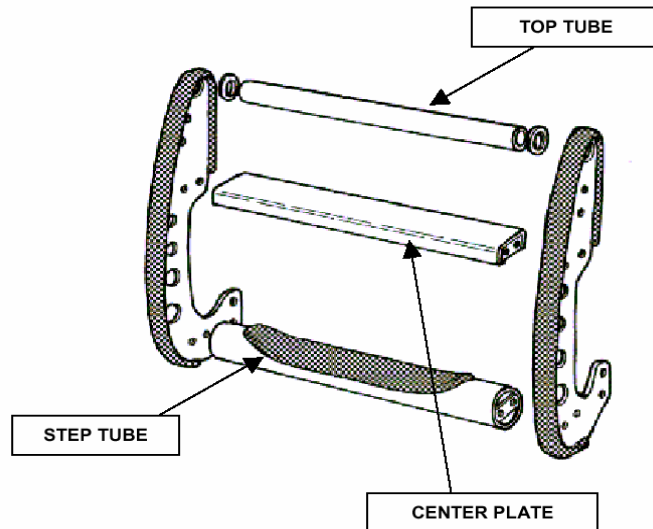
STEP 1. BEGIN THE GRILLE ASSEMBLY BY LAYING THE COMPONENTS OUT ON A PROTECTIVE SURFACE.

STEP 2. INSTALL THE TUBE CONNECTORS FROM THE P200 PLUG KIT INTO THE TOP TUBE.

STEP 3. POSITION THE STEP TUBE, CENTER PLATE AND TOP TUBE BETWEEN THE GRILLE GUARD SIDE PLATES.

STEP 4. ATTACH THE STEP TUBE TO THE SIDE PLATES USING THE 3/8" x 1" BUTTON BOLTS, THE CENTER PLATE USING THE 3/8" X 1" HEX HEAD BOLTS, FLAT AND LOCK WASHERS, AND NUTS, AND TOP TUBE USING THE P200 PLUG KIT HARDWARE.

STEP 5. ALIGN THE GRILLE ASSEMBLY AND TIGHTEN ALL NUTS AND BOLTS.



INSTALLATION INSTRUCTIONS

STEP 1. LOCATE THE PASSENGER SIDE TOW HOOK MOUNTING BOLTS. REMOVE THE BOLT FROM THE BOTTOM AND THE HEX NUT FROM THE BOLT THAT PASSES THROUGH THE FRAME RAIL.

STEP 2. POSITION 1037CP FRAME BRACKET OVER THE SHANK OF THE BOLT THAT PASSES THROUGH THE FRAME. THEN ATTACH THE BRACKET TO THE BOTTOM AND SIDE OF THE FRAME USING THE BOLT AND NUT REMOVED IN STEP #1. DO NOT TIGHTEN.

STEP 3. POSITION AND ATTACH 1048BP FRAME BRACKET TO HOLE IN FRAME FLANGE USING 7/16 X 1" HEX BOLT, FLAT WASHERS AND HEX NUT AS SHOWN IN DIAGRAM. DO NOT TIGHTEN.

STEP 4. POSITION 1048A CENTER PLATE BRACKET BETWEEN THE GRILLE AND BUMPER, THEN ATTACH TO THE TOP OF 1048BP FRAME BRACKET USING 3/8x1" HEX BOLT, FLAT AND LOCK WASHERS. DO NOT TIGHTEN.

STEP 5. REPEAT THE ABOVE STEP FOR THE DRIVER SIDE BRACKETS.

STEP 6. ATTACH THE GRILLE AND BRUSH GUARD ASSEMBLY TO THE OUTSIDE OF THE FRAME BRACKETS AND TO THE CENTER PLATE BRACKETS USING 3/8x1" BUTTON H HEAD BOLTS, LOCK WASHERS AND HEX NUTS AS SHOWN.

STEP 7. ALIGN WITH FRONT OF VEHICLE AND TIGHTEN ALL NUTS AND BOLTS.

