

3000 SERIES STEPGUARD

COMPLETE GRILLE & BRUSH GUARD ASSEMBLY INSTRUCTIONS

PART NO. 3093MB, 3093MC & 7093MPS 00-06 CHEVY TAHOE, SUBURBAN 1500 2/4WD
99-02 CHEVY SILVERADO 1500 P/U 2/4WD (ALL MODELS)

Do not attempt to install this product on any vehicle other than the one it is designed for and listed above!

PACKING LIST

<u>QTY</u>	<u>PARTS DESCRIPTION</u>	<u>QTY</u>	<u>PARTS DESCRIPTION</u>
2	1/4" SOCKET SCREWS		3094P PASSENGER BRUSH GUARD
4	3/8" X 1" BUTTON HEAD BOLTS		3094D DRIVER BRUSH GUARD
4	3/8" X 1" HEX BOLTS		C2P PASSENGER HEAD LIGHT PROTECTOR
4	3/8" HEX NUTS		C2D DRIVER HEAD LIGHT PROTECTOR
4	3/8" LOCK WASHERS		TT3093 2" X 28 5/8" TOP TUBE
2	5/16 x 1 3/4" FLAT HEAD SCREWS		CP3003 28 5/8" CENTER PLATE
4	5/16 x 1" BUTTON HEAD BOLTS		ST3093 3" X 28 5/8" BOTTOM STEP TUBE
4	5/16" LOCK NUTS		1103C EURO TUBE
2	1/4 x 3/4" BUTTON HEAD BOLTS		
2	FLANGED WASHERS		

ASSEMBLY INSTRUCTIONS

READ THE ASSEMBLY AND INSTALLATION INSTRUCTIONS COMPLETELY BEFORE YOU BEGIN.

STEP 1. BEGIN BY LAYING THE COMPONENTS OUT ON A PROTECTIVE SURFACE.

STEP 2. PLACE CENTER GUARD SIDE PLATES ON A FLAT SURFACE FACE DOWN.

STEP 3. ATTACH BOTTOM STEP TUBE TO INSIDE OF GRILLE GUARD SIDE PLATES USING 3/8 x 1" BUTTON HEAD BOLTS. DO NOT SECURE.

STEP 4. ASSEMBLE BRUSH GUARDS LEFT AND RIGHT BY SLIDING THROUGH SIDE PLATES, FLANGED WASHERS THEN INTO TOP TUBE. NOTE: LUBRICATE BRUSH GUARDS TUBES TO EASE ASSEMBLY.

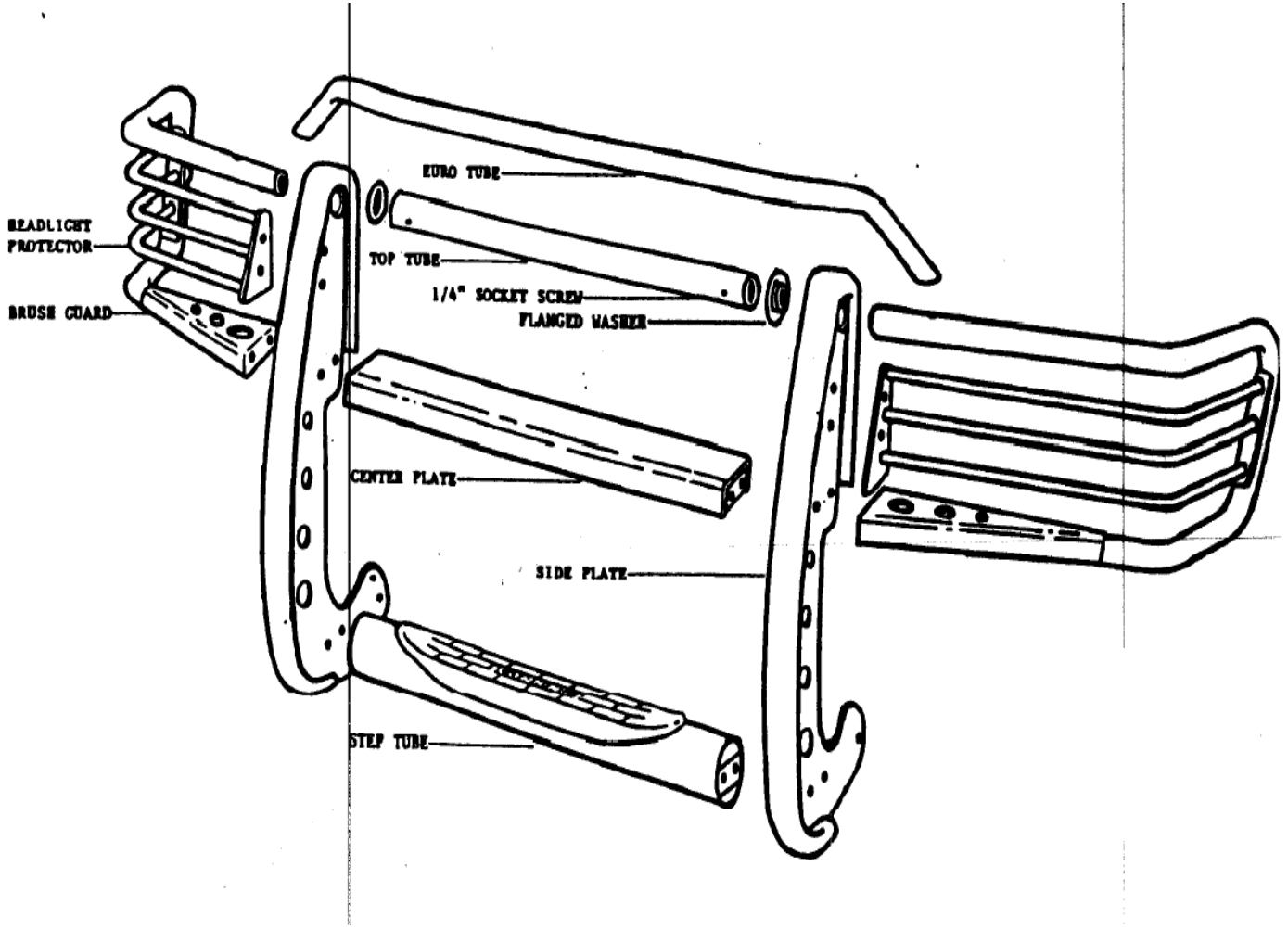
STEP 5. ATTACH EURO TUBE TO BRUSH GUARDS USING 5/16 x 1 3/4" FLAT HEAD SCREWS AS SHOWN IN DIAGRAM INCLUDED WITH EURO TUBE. DO NOT SECURE.

STEP 6. POSITION CENTER PLATE BETWEEN SIDE PLATES, ATTACH CENTER PLATE TO SIDE PLATES AND BRUSH GUARDS USING 3/8 x 1" HEX BOLTS, LOCK WASHERS AND HEX NUTS. NOTE: THREADS MUST FACE OUTWARDS ON BOLTS.

STEP 7. ATTACH HEAD LIGHT PROTECTORS FIRST TO BRUSH GUARDS WITH 1/4 x 3/4" BUTTON HEAD BOLTS THEN TO GRILLE GUARD USING 5/16 x 1" BUTTON HEAD BOLTS AND LOCK NUTS.

STEP 8. ALIGN GRILLE AND BRUSH GUARD ASSEMBLY AND SECURE ALL BOLTS AND NUTS.

STEP 9. ROTATE TOP TUBE TOWARDS GRILLE AND SECURE USING 1/4" SOCKET SCREWS.





3000 SERIES STEPGUARD

COMPLETE GRILLE & BRUSH GUARD INSTALLATION INSTRUCTIONS

PART NO. 3093MB, 3093MC & 7093MPS 00-06 CHEVY TAHOE, SUBURBAN 1500 2/4WD
99-02 CHEVY SILVERADO 1500 P/U 2/4WD (ALL MODELS)

Do not attempt to install this product on any vehicle other than the one it is designed for and listed above!

PACKING LIST

<u>QTY</u>	<u>PART DESCRIPTION</u>	<u>QTY</u>	<u>PART DESCRIPTION</u>
2	7/16" x 1" HEX BOLTS	2	1037A CENTER PLATE BRACKETS
2	7/16" HEX NUTS	1	1037BD DRIVER SIDE FRAME BRACKET
6	3/8 x 1" BUTTON HEAD BOLT	1	1037BP PASSENGER SIDE FRAME BRACKET
2	3/8 x 1" HEX BOLTS	1	1037CD DRIVER SIDE FRAME BRACKET
8	3/8" FLAT WASHERS	1	1037CP PASSENGER SIDE FRAME BRACKET
8	3/8" LOCK WASHERS		
6	3/8" HEX NUTS		
4	7/16" FLAT WASHERS		

INSTALLATION INSTRUCTIONS

READ THE ASSEMBLY AND INSTALLATION INSTRUCTIONS COMPLETELY BEFORE YOU BEGIN.

STEP 1. LOCATE THE PASSENGER SIDE TOW HOOK MOUNTING BOLTS. REMOVE THE BOLT FROM THE BOTTOM AND THE HEX NUT FROM THE BOLT THAT GOES THROUGH THE FRAME.

STEP 2. POSITION 1037CP FRAME BRACKET OVER THE SHANK OF THE BOLT AND ATTACH THE BRACKET TO THE BOTTOM AND THE SIDE OF THE FRAME USING THE BOLT AND NUT REMOVED IN STEP #1 AS SHOWN IN DIAGRAM. DO NOT TIGHTEN.

STEP 3. POSITION AND ATTACH 1037BP FRAME BRACKET TO HOLE IN FRAME USING 7/16" HEX BOLT, FLAT WASHERS AND HEX NUTS AS SHOWN IN DIAGRAM. DO NOT TIGHTEN.

STEP 4. POSITION 1037A CENTER PLATE BRACKET BETWEEN THE GRILLE AND BUMPER AND ATTACH TO THE TOP OF 1037BP FRAME BRACKET USING 3/8 x 1" HEX BOLT, LOCK WASHER AND FLAT WASHER AS SHOWN IN DIAGRAM. DO NOT TIGHTEN.

STEP 5. REPEAT THE ABOVE STEPS FOR THE DRIVER SIDE BRACKETS.

STEP 6. ATTACH THE GRILLE AND BRUSH GUARD ASSEMBLY TO OUTSIDE OF THE FRAME BRACKETS AND TO THE CENTER PLATE BRACKETS USING 3/8 x 1" BUTTON HEAD BOLTS, LOCK WASHERS, FLAT WASHERS AND HEX NUTS AS SHOWN IN DIAGRAM.

**FOR TECHNICAL OR WARRANTY INFORMATION
CALL:**

**TOLL FREE (888)427-4466 FAX (714)672-0278
GO RHINO! Products® 591 W. Apollo St. Brea,
CA 92821**

