

HD WINCH BUMPER

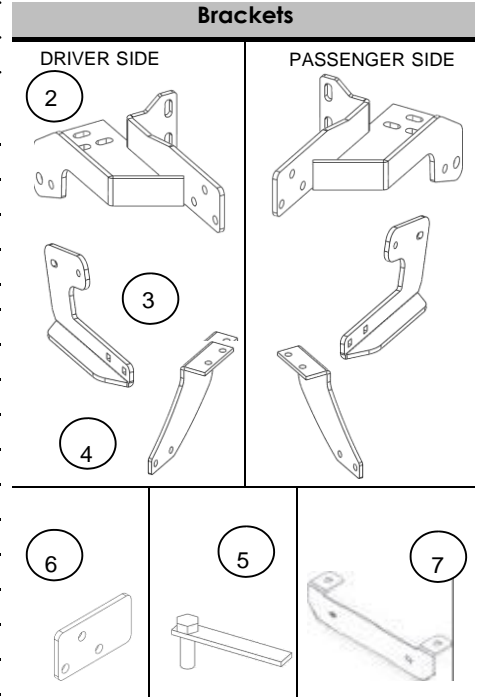
23371(B-MB)

INSTALLATION INSTRUCTIONS

2011-2016 Ford Super Duty F-250, F-350, F-450

Parts List				
Item	Qty.	Code	Description	Max. Torque
1	1		Pull Pro	
	1	BRK -53339	Brackets kit	
2	1		Main mounting bracket set	
3	1		Lower brackets set	
4	1		Complementary lower brackets set	
5	2		1/2" bolt plates	
6	2		Bracket spacers	
7	1		License plate brackets	
	1	KTE-53339	Hardware kit	
8	2		3/8" x 1" hex head bolt	30 ft. lbs.
9	2		3/8" hex nut	
10	2		3/8" flat washer	
11	2		3/8" lock washer	
12	6		1/2" x 2" hex head bolt Zinc P.	75 ft. lbs.
13	2		1/2" x 1 1/2" hex head bolt Zinc P.	75 ft. lbs.
14	16		1/2" flat washer Zinc P.	
15	10		1/2" lock washer Zinc P.	
16	10		1/2" hex nut Zinc P.	
17	6		1/2" x 2" hex head bolt Black P.	75 ft. lbs.
18	8		1/2" x 1 1/2" hex head bolt Black P.	75 ft. lbs.
19	24		1/2" flat washer Black P.	
20	14		1/2" lock washer Black P.	
21	14		1/2" hex nut Black P.	
22	2		1/4" x 1" hex head bolt	
23	2		1/4" flat washer	
24	2		1/4" hex nut	

Required Tools (Not included)	
Qty.	Description
1	Ratchet w/extension
1	3/4" Socket / wrench
1	15mm Socket / Wrench
1	18mm Socket / Wrench
1	13mm Socket / Wrench
1	3/8" universal socket

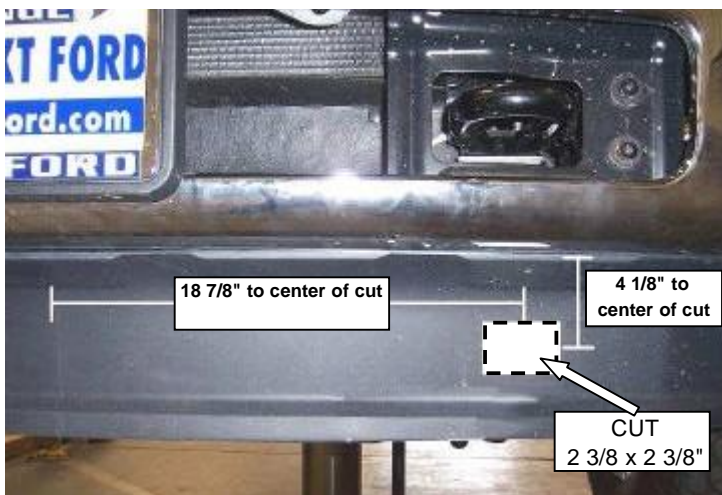


Instructions

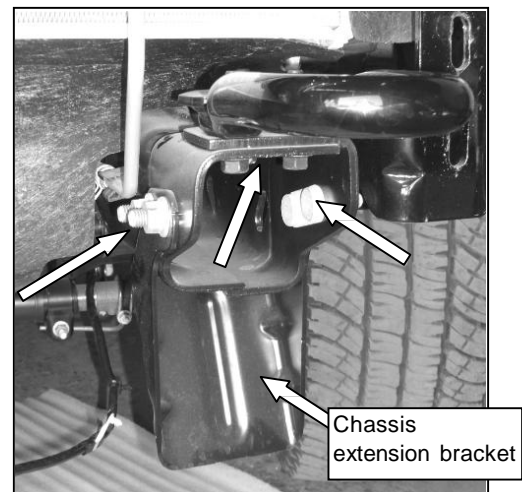
1. Before beginning the installation, please read all directions carefully and verify that all necessary hardware is accounted for. If any parts are missing, stop the installation and contact your distributor immediately.
2. To maintain and care this product keep it clean and do not use abrasive cleaners or polish waxes. We recommend to use only non-abrasive automotive wax such as pure carnauba to avoid scratches and rust.
3. The approximate installation time is 90 min.

NOTE: This installation requires cutting or removal of the air dam.

PICTURE 1



PICTURE 2



WINCH BUMPER

INSTALLATION INSTRUCTIONS 2011-2016 Ford Super Duty F-250, F-350, F-450

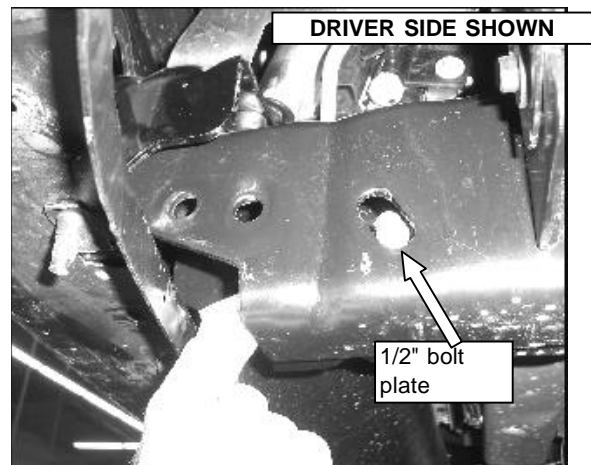
23371 (B-MB)

- Beginning with the driver side, measure from the center of the air dam 18 7/8" and down from the upper edge 4 1/8" and mark the center of the opening to be cut out. Use a utility knife and carefully cut out a 2 3/8" wide by 2 3/8" high section from the air dam. Picture 1. Repeat for the passenger side.
- To install main bracket it is necessary to remove the bumper. First remove license plate holder, then remove plastic retainers securing rubber air deflector. Continue by removing the (4) bolts that attach the bumper to the front to the frame (picture 1) and the rear bumper bolts (2 per side) located in the mudguards. Remove the bumper. **NOTE:** If the vehicle is equipped with fog lights remove the electrical harness from the bumper and unplug the fog lights before removing the bumper.
- Remove the bolts and tow hook and the nuts, bolt tabs and chassis extension bracket from the frame. Discard the tow hooks and chassis extension bracket. **NOTE:** There are holes provided in the winch plate to attach commercially available tow hooks. (Sold separately).
- Position the main mounting bracket on the top of the frame and align the holes in the bracket with the tow hook attachment points, secure using (3) 1/2 x 2" hex head bolts Zinc P., (6) 1/2" flat washers, (3) 1/2" lock washers and (3) 1/2" hex nuts. Secure the wall of the bracket to the frame using one of the bolt tabs removed in step 6. Tighten the bolt tab nuts to 55 Ft. Lbs. The 1/2" nuts and bolts to the specified torque. Repeat the above to install the passenger side main bracket.
- Reinstall the bumper using the factory fasteners removed. The main brackets must extend through the tow hook opening in the bumper.
- Locate the holes in the side of the frame rail. Position one of the 1/2" bolt plates inside the frame with the threads of the bolt extending out through the obround hole. Picture 4.

PICTURE 3



PICTURE 4



- Position the leg of the driver side lower bracket through the opening cut out in the air dam and attach the bracket to the side of the frame using the 1/2" bolt plate, (1) 1/2" X 1 1/2" hex bolt Zinc P., (2) 1/2" flat washers (2) 1/2" lock washers and (2) 1/2" hex nuts, do not tighten. Picture 5. Repeat the above steps to install passenger side lower brackets. **NOTE:** The air dam was removed from the vehicle for photo purposes.

WINCH BUMPER

23371 (B-MB)

INSTALLATION INSTRUCTIONS

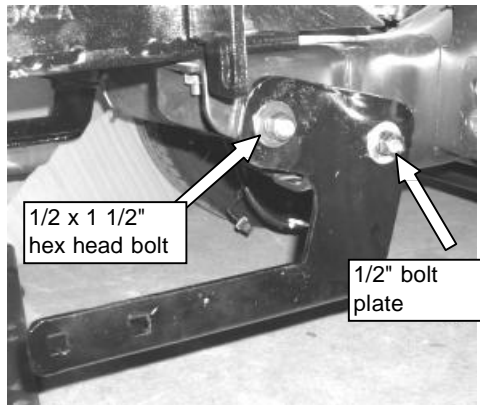
2011-2016 Ford Super Duty F-250, F-350, F-450

NOTE: The winch plate is preassembled in stainless steel model; discard these bolts to install the winch plate. Disassembly the winch plate before attach to the main brackets.

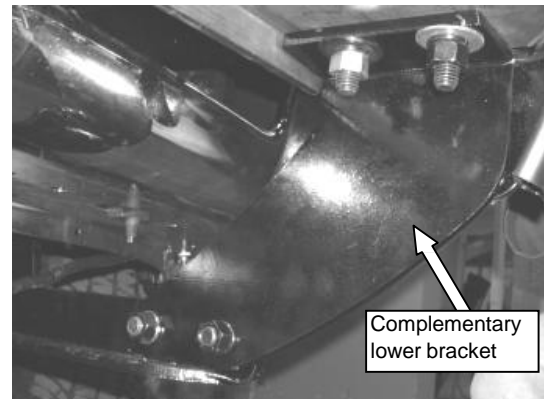
11. Attach the Pull Pro to the main brackets using (3) 1/2" X 2" hex bolts Black P., (6) 1/2" flat washers, (3) 1/2" lock washers and (3) 1/2" hex nut for each side. Do not tighten. **NOTE:** Only for Paint finish Pull Pro use (1) bracket spacer between main bracket and side plate for each side.

12. Attach the complementary lower bracket to the bottom of the winch plate using (2) 1/2" X 1 1/2" Hex bolt Black P., (4) flat washers, (2) lock washers and (2) hex nut, by each side. Do not tighten. Secure to the lower bracket with (2) 1/2" X 1 1/2" Hex bolt, (2) flat and lock washers and (2) hex nut, by each side. Leave loose. Picture 6.

PICTURE 5



PICTURE 6



13. Install brush guards on the side plates using the preinstalled bolts.

14. Align the Pull Pro with the front of vehicle and tighten all nuts and bolts.

15. Install the license plate bracket to the winch plate using 3/8" hardware secure license plate using 1/4" hardware.

16. Fill out the warranty card and place it inside your vehicle's glove box.

