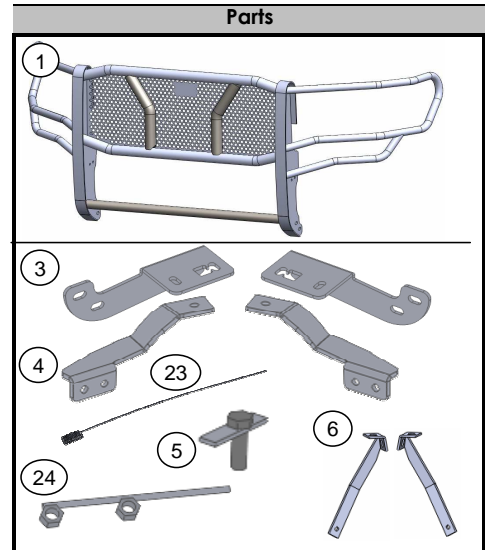
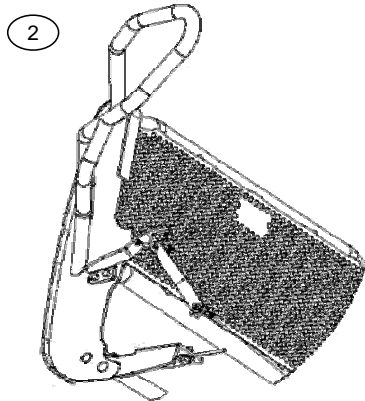


Parts List			
Item	Qty.	Code	Description
1	1	Pza.	Grille guard
2	1	Pza.	Bracket Kit
3	1	Jgo.	Lower bracket
4	1	Jgo.	Upper bracket
5	2	Pza.	T. Bolt
6	1	Jgo.	Auxiliary bracket
7	1	Pza.	Harware kit
8	4	Pza.	1/2x1 1/4"Hex head bolt zinc plate
9	4	Pza.	3/8 x 1 1/4" Hex head bolt black
10	2	Pza.	M8 x 30 Hex head bolt black
11	4	Pza.	1/2 x 1 1/4" Carriage bolt black
12	2	Pza.	3/8 x 1 1/2" Carriage bolt zinc plate
13	4	Pza.	3/8" Flat washer zinc plate
14	2	Pza.	5/16" Flat washer black
15	4	Pza.	1/2" Flat washer black
16	4	Pza.	1/2" Flat washer zinc plate
17	4	Pza.	1/2" Lock washer zinc plate
18	4	Pza.	3/8" Flat washer black
19	4	Pza.	3/8" Lock washer zinc plate
20	4	Pza.	3/8" Lock nut black
21	4	Pza.	1/2" Lock nut black
22	4	Pza.	3/8" Nut zinc plate
23	1	Pza.	Bolt Guide
24	2	Pza.	Nuts Bracket zinc plate

Required Tools (Not included)	
Qty.	Description
1	10, 15, 19mm & 9/16" Socket
1	19mm&9/16" Wrench
1	Ratchet
1	Cutter



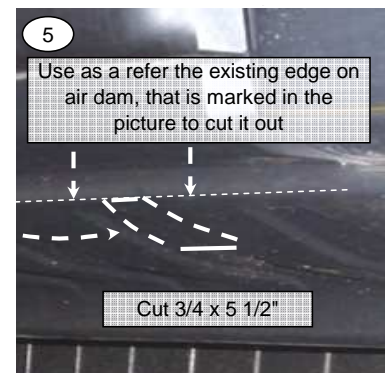
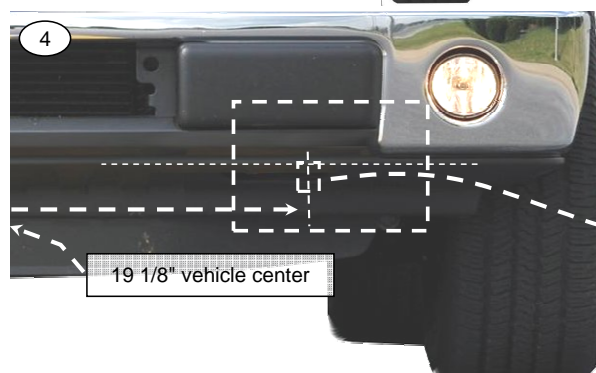
1. Before beginning the installation, please read all directions carefully and verify that all necessary hardware is accounted for. If any parts are missing, stop the installation and contact your distributor immediately.
2. To maintain and care this product keep it clean and do not use abrasive cleaners or polish waxes. We recommend to use only non-abrasive automotive wax such as pure carnauba to avoid scratches and rust.
3. The approximate installation time is **45 min.**
4. Identify the mounting brackets at image.



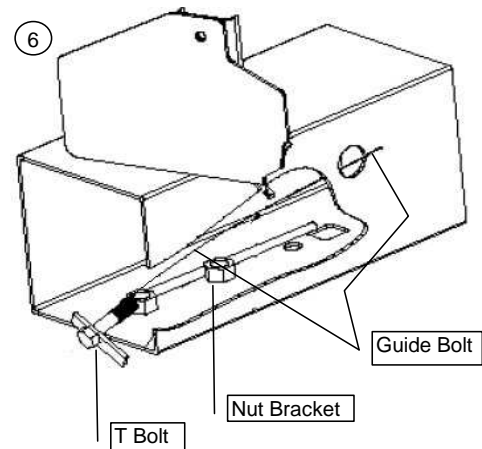
5. To install the accessory, follow the indications and see the images.

6. Identify the brackets locations in the vehicle; refers image 3.

Note:
If your vehicle doesn't equipped factory tow hooks, you must to cut out the plastic air dam, refers images 4 & 5



7. Use bolt guide to install the "T" bolt on the external side of the frame rail. NOTE: the nuts bracket is installed only if the vehicle does not have factory tow hooks.



8. If the vehicle is equipped with tow hooks, you must remove them. If the vehicle is not equipped with tow hooks, go to step 10

9. See image 7. Place the lower bracket and then the tow hook, attach all together using the factory screws removed in previous step, go to step 11.



10. To install the bottom bracket is necessary to cut out the air dam. see images 4 & 5.

11. Install the lower bracket as shown in image 8.

12. Attach one end of the auxiliary bracket to T Bolt on the external side of the frame, and the other end to the bumper's support using the M8x30mm. hex head bolt.

13. Align the Accessory to the vehicle and tighten all hardware.

14. Does not use abrasive substances to clean the accessory.

15. Fill out the warranty card included and place it inside your vehicle.

