

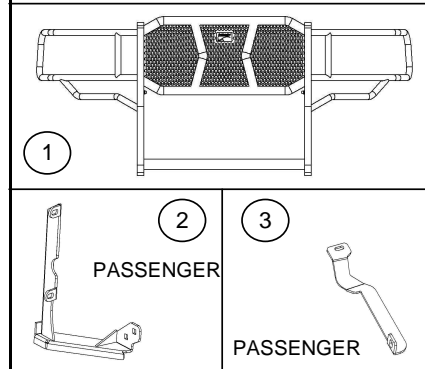
Parts List:

ITEM	QTY	CODE	DESCRIPTION	TORQUE
1	1	572240BB	Grille Guard	-
BRK-57224 RACKETS KIT INCLUDES:				
2	1	572240BB	Main bracket set(driver & passenger)	-
3	1	572244B	Auxiliary bracket set (driver & passenger)	-
KTE-57224 HARDWARE KIT INCLUDES:				
4	1	-	1/2 x 1 1/2" Carriage head bolt	65 Lb/Ft
5	6	-	1/2" Lock nut	65 Lb/Ft
6	6	-	1/2" Flat washer	-

Tools required:

DESCRIPTION	QTY
Socket / wrench 13mm	1
Socket / wrench 18mm	1
Socket / wrench 3/4"	1
Wrench 18mm	1
Ratchet	1
Extension ratchet	1

ILLUSTRATION 1.

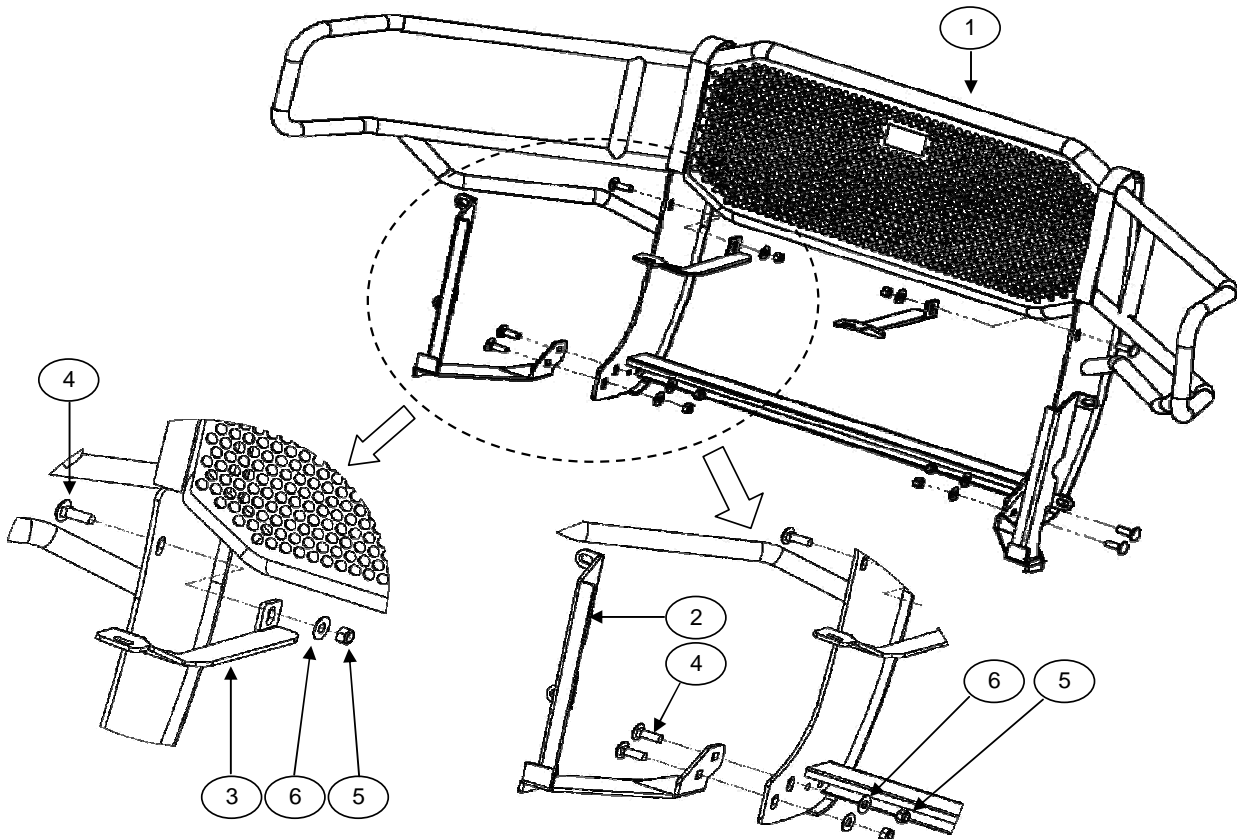


Instructions:

Approximated installation time: 30 min.

1. Before beginning the installation read all instructions thoroughly and verify that all hardware is accounted for. If there are any listed parts missing, please notify your distributor immediately.

ILLUSTRATION 2.



Cleaning and care instructions:

Design:

Quality:

Protect the finish with a non-abrasive automotive wax, (e.g. Pure Carnauba) on a regular basis. The use of any soap, polish, or wax that contains an abrasive is detrimental to the finish, as the compounds scratch the finish and cause corrosion.

2. Locate and remove the nuts located inside the front bumper, to a side of the frame. See picture 1. Repeats for the opposite side.
3. Installs main bracket and attach with the nuts before removed. See picture 2. Repeats for the opposite side. Leave loose.

PICTURE



Nuts to remove for the installation of main bracket, passenger side.

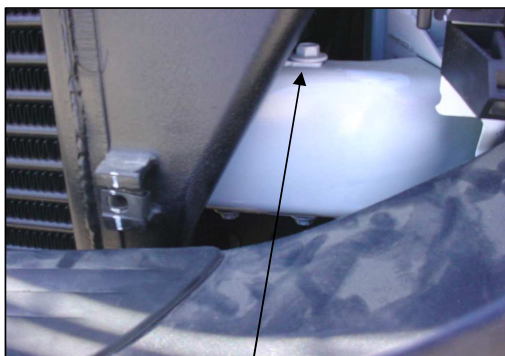
PICTURE 2



Installed main bracket, picture driver side.

4. Open the hood, locate and remove the bolt on the support, in front radiator engine. See picture 3. **NOTE: For model Dodge Ram Diesel it's necessary to come off the cover plastic in lower part that obstructs the access the subsection bolt. See picture 4.**

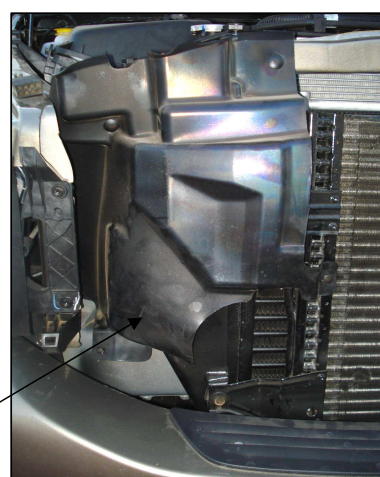
PICTURE 3



Bolt to remove for the installation of auxiliary bracket, driver side.

It comes off the cover plastic in lower part located in the passenger side, in vehicles with diesel engine.

PICTURE 4



5. Install auxiliary brackets and attach with bolts removed, in driver and passenger side. Leave loose.
6. If mount Grille Guard to the main brackets and attach with: (2) 1/2 x 1 1/2" carriage head bolt, (2) 1/2" flat washers, (2) 1/2" lock nut. By each side. Leave loose. See picture 5.
7. Attach with auxiliary brackets to plates of Grille Guard with: (1) 1/2 x 1 1/2" carriage head bolt, (1) 1/2" flat washer, (1) 1/2" lock nut. By each side. Leave loose. See picture 6.

PICTURE 5



Main bracket installed, driver side.

PICTURE 6



Auxiliary bracket installed, passenger side.

8. Re-install the cover plastic before removed in vehicles with diesel engine.
9. Align Grille Guard, and then get tighten all bolts.
10. Do not use abrasive substances to clean your product.
11. Periodically check your product because it may need a re-tighten of bolts.
12. Fill the warranty card and place it inside your vehicle's glove box.

**DEFENDER INSTALLED.**