

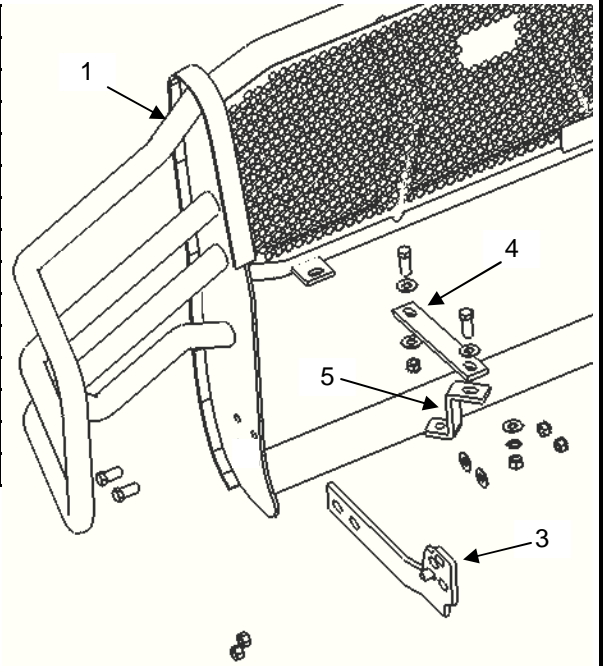
# INSTALLATION INSTRUCTIONS

## 13163 WRANGLER

### 2007- 2012 CHEVROLET SILVERADO 1500 (incl. 2500 in Mexico)

**Parts List:**

No.	Qty.	Unity	Part No.	Description
1	1	PC.		Grille Guard
2	1	SET.	BRK-57176	BRACKETS
3	1	SET.	573794BA	LOWER BRACKET
4	2	PC.	571761AA	AA UPPER BRACKET
5	2	PC.	573792BA	BA UPPER BRACKET
6	1	PC.	KTE-57176	HARDWARE
7	4	PC.		1/2 x 1 1/4" HEX HEAD BOLT
8	8	PC.		1/2" FLAT WASHER
9	6	PC.		1/2" LOCK NUT
10	4	PC.		1/2 x 1 1/2" HEX HEAD BOLT
11	6	PC.		1/2" FLAT WASHER
12	4	PC.		1/2" LOCK WASHER
13	4	PC.		1/2" NUT
14	2	PC.		1/2 x 1 1/2" HEX HEAD BOLT



**Tools required:**

9/16" Socket

18mm. Wrench

Ratchet

3/4" Socket

3/4" Wrench

Flat screw driver

Cutter

18mm. Socket

15mm. Socket

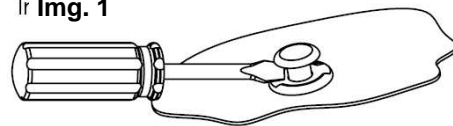
Ratchet extension

**Approximated installation time: 40 min.**

1. Before beginning the installation, please read the instructions thoroughly and verify that the hardware kit is complete. If any of the pieces listed above are missing, call you distributor immediately to obtain the necessary items.

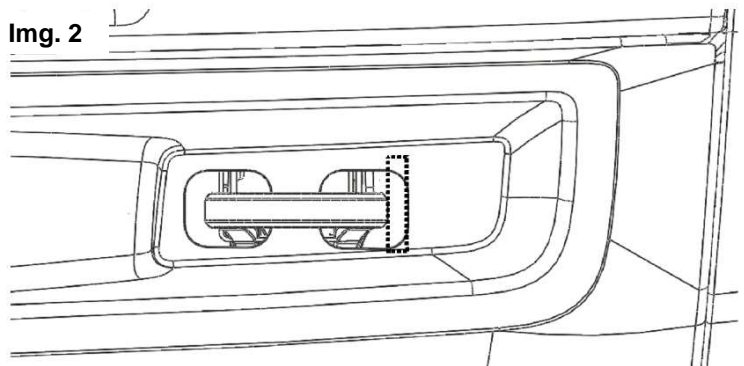
**Instructions:**

lr **Img. 1**



2. Remove the plastic cover over the radiator, taking off the plastic ribbets using a flat screw driver. (Img. 1)

**Img. 2**



3. In order to install correctly the lower bracket, it is necessary to cut the fascia in both sides. (Img. 2)

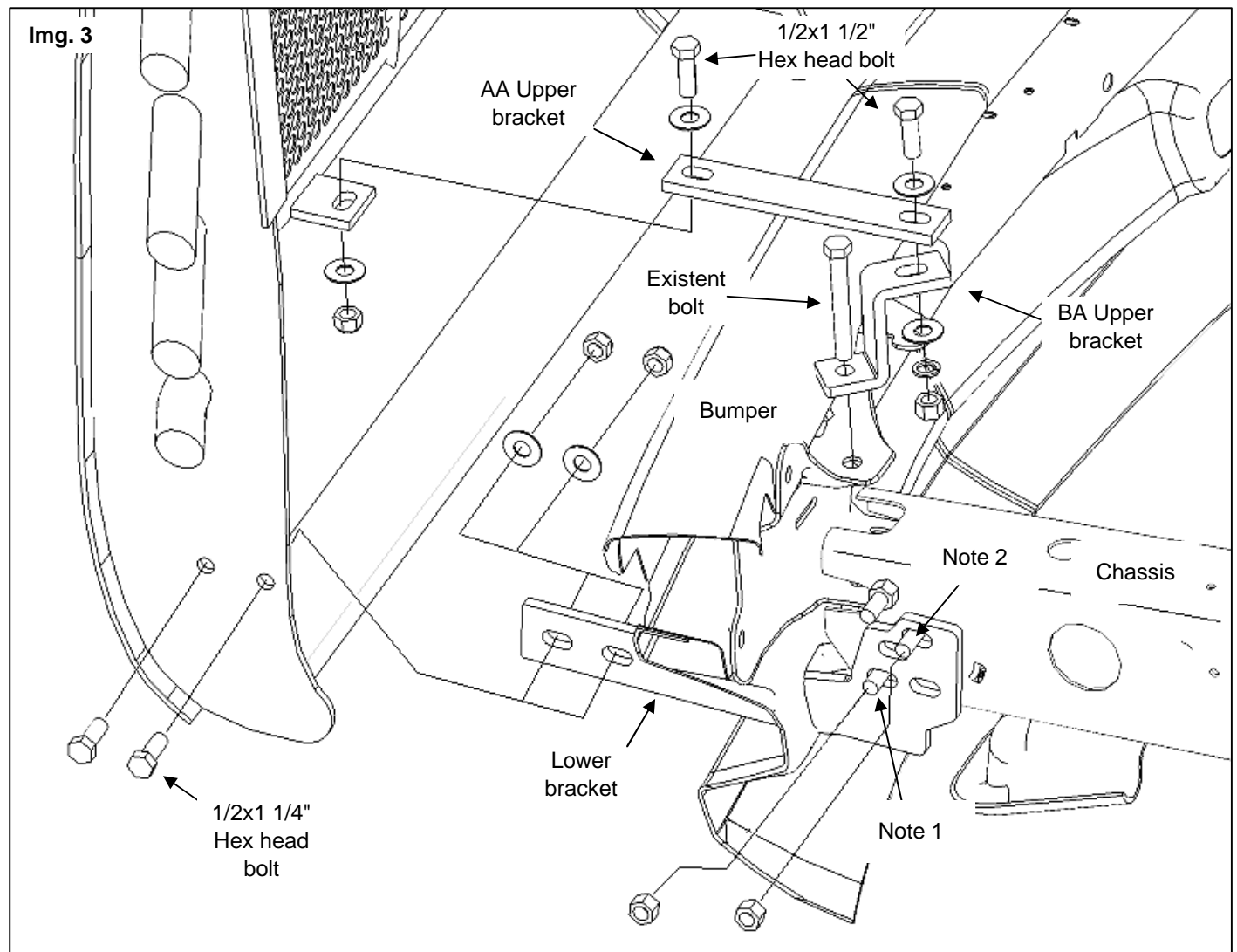
**Cleaning and care instructions:**

Desing:

Quality:

Protect the finish with a non-abrasive automotive wax, (e.g. Pure Carnauba) on a regular basis. The use of any soap, polish, or wax that contains an abrasive is detrimental to the finish, as the compounds scratch the finish and cause corrosion.

## INSTALLATION INSTRUCTIONS 13163 WRANGLER



**Note 1.** Use the existent bolts to fix the bracket, if the vehicle doesn't have tow hooks, use the 1/2 x 1 1/2" bolts in the hardware kit.

**Note 2.** On the driver side it will be necessary to change the orientation of the bolt, so the tips look as shown in (Image 3).

4. Align your accessory and reinstall the plastic cover of the radiator.

5. Do not use abrasive substances to clean your product.

6. **Fill out your warranty card** and place it inside your vehicle.

### Cleaning and care instructions:

Desing:

Quality:

Protect the finish with a non-abrasive automotive wax, (e.g. Pure Carnauba) on a regular basis. The use of any soap, polish, or wax that contains an abrasive is detrimental to the finish, as the compounds scratch the finish and cause corrosion.

Revised 12/05/2011