

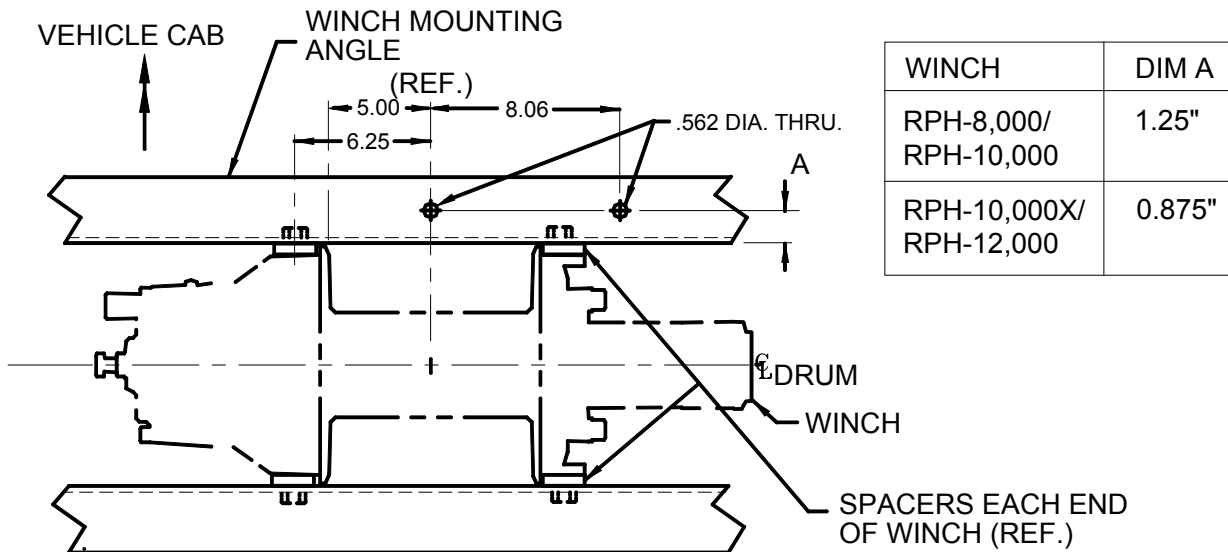
# INSTALLATION INSTRUCTIONS FOR MODEL 5 LEVEL WINDER KIT #256082

This Level Winder is designed specifically for the Ramsey Winch Model RPH-8,000, RPH-10,000, RPH-10,000-X, and RPH 12000 Series Winches, with standard length drums (9.75 inches between drum flanges).

**NOTE: IF LEVEL WINDER IS BEING INSTALLED ON A CAR CARRIER (ROLLBACK), IT IS NECESSARY TO ALSO INSTALL RAMSEY ROLLER GUIDE KIT, PART NO. 256079. FAILURE TO DO SO MAY CAUSE DAMAGE OR BREAKAGE TO THE WINCH LEVEL WINDER OR VEHICLE.**

## INSTALLATION PROCEDURE

Disengage the winch clutch and free spool all the cable off the winch and lay it in a line on the ground behind the truck. Disconnect the end of the cable from the cable drum anchor. Drill two .562" diameter holes through the horizontal flange of the forward-most winch mounting angle as shown in FIG. 1.

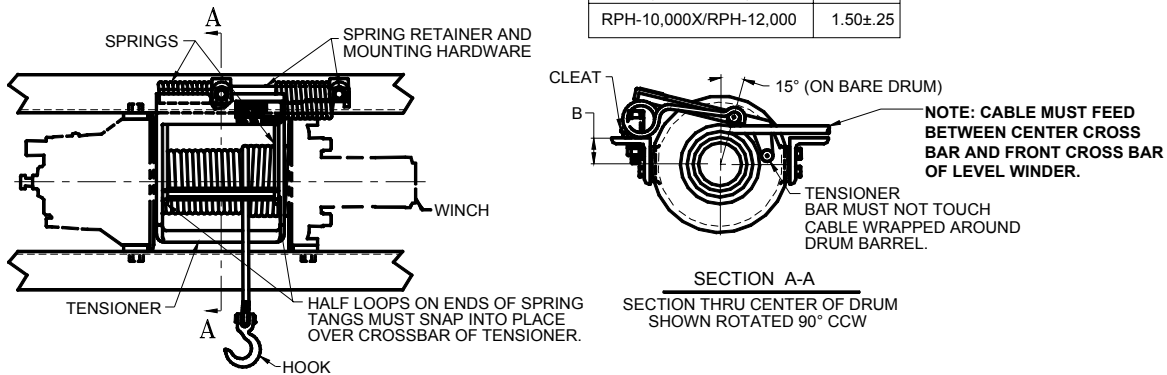


**FIGURE 1**

Insert the spring retainer into the springs so that the cleats of the retainer will extend toward the vehicle cab when the assembly is in place. Slide the retainer so that the holes in the retainer line up with the hold down loops in the springs. Position the holes in the retainer over the .562 diameter holes previously drilled in the flange of the winch mounting angle. Loosely attach the spring retainer and springs to the flange of the winch mounting angle using the 1/2 inch diameter capscrews, nuts and lockwashers. Slide tensioner into position until half loops on ends of springs snap into place over crossbar. Tighten capscrews securely, but do not torque. Use rubber mallet to tap springs and spring retainer toward winch to the forward-most position, making sure that cable tensioner is centered between the drum flanges, as shown in FIG. 2.

Tighten the capscrews securely so that the springs are clamped hard down onto their mounting surface.

WINCH	DIM B
RPH-8,000/RPH-10,000	1.25±.50
RPH-10,000X/RPH-12,000	1.50±.25



**FIGURE 2**

**NOTE:** The surface to which the springs are bolted must be above the centerline of the drum barrel as shown in FIG. 2, SECTION A-A.

Insert the end of the cable into the opening of the tensioner so that it passes under the center cross bar and over the front cross bar and install the cable into the cable anchor. A pry bar will be necessary to lift up cable tensioner. Engage the clutch and run the winch in the reel in direction winding about five wraps of cable onto the drum and stop. Using a hammer tap these five wraps tightly over against the cable anchor flange of the cable drum. Finish winding all the cable onto the cable drum. As cable winds onto the drum, watch the tensioner. Tensioner must be free to move without obstruction to function properly. If tensioner touches any surrounding structure, correct the problem.

**CAUTION:** STOP REEL IN OF CABLE BEFORE THIMBLE/HOOK ENTERS LEVEL WINDER. FAILURE TO DO SO MAY CAUSE DAMAGE OR BREAKAGE TO THE WINCH, LEVEL WINDER, OR VEHICLE.

**OPERATION**

Lay cable out in a straight line behind the truck to prevent kinking before beginning to wind in. It is not necessary to walk in with the cable, let your Level Winder do the work.

**PARTS LIST FOR 256082**

PART NO.	QTY.	DESCRIPTION
414558	2	CAPSCREW 1/2-13NC X 3 LG. HX.HD. ALL THRD. GR. 5, PLTD.
418069	2	NUT-HEX. 1/2-13NC REG. PLTD.
418218	2	LOCKWASHER 1/2 MED. SECT. PLTD.
434254	1	DECAL
494098	2	SPRING
688500	1	TENSIONER-CABLE
688501	1	RETAINER-SPRING



**RAMSEY WINCH COMPANY**  
**P.O. BOX 581510**  
**TULSA, OKLAHOMA 74158**