

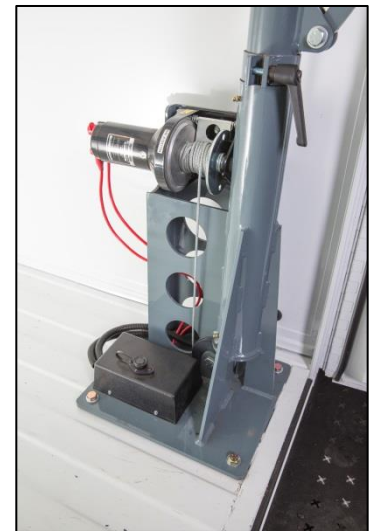


# ESV1000

LIFTING CAPACITIES	
REACH (FT.)	CAPACITY (LBS.)
2-3	1000

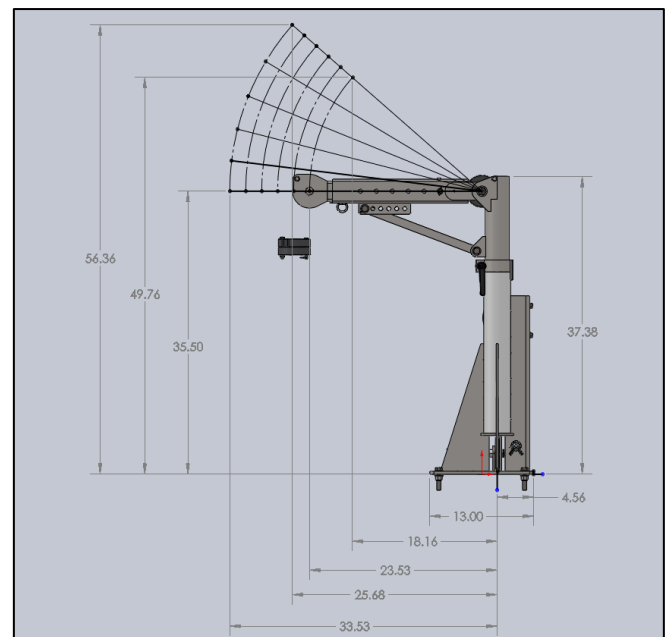
## FEATURES

- 1,000 LBS Lifting Capacity
- 3,000 FT-LBS crane moment rating
- Maximum Telescoping Boom Length: 3 FT
- Manual 5-pin elevation
- Electric Power (12V DC)
- Boom rotates for compact storage
- Manual 360-degree rotation with band brake provides unlimited controlled load positioning
- Integrated surface mounting socket with 15" x 13" base plate
- Weight: 160 LBS
- Master Disconnect switch



## WINCH FEATURES

- 12V DC, 1.3 hp motor
- Planetary geartrain with 123:1 reduction
- Dynamic motor braking for controlled load lowering
- 25 FT of 3/16" aircraft-quality wire rope
- Remote Control Pendant: 12 FT cord with quick disconnect
- 80 amp circuit breaker protects motor



12110 Best Place | Cincinnati, Ohio 45241 | 800-226-2238 | 513-772-8446  
[info@venturo.com](mailto:info@venturo.com) | [www.venturo.com](http://www.venturo.com)

