



**VENCO
VENTURO**

INDUSTRIES LLC

VC750FB VAN CRANE

**VJCAAA
INSTALLATION & OWNER'S MANUAL**

Dear Venturo VC750FB Purchaser,

Thank You!

Thank you for your purchase of the Venturo VC750FB Van Crane. This crane was carefully engineered to provide excellent performance when properly installed, operated and maintained.

Please read this entire manual prior to installing and operating the equipment. It instructs you how to safely and easily install, set up and operate your crane. Please be sure that you, and any other person who will operate the crane, carefully follow the recommended safety practices at all times. Failure to do so could result in personal injury or property damage.

All information in this manual is relative to the most recent product information available at the time of printing. Review this manual for proper installation and to familiarize yourself with the crane's features and operations. We reserve the right to change product specifications, designs and equipment without notice and without incurring obligation.

If you have any problems or questions concerning the VC750FB, please call Venco Venturo Industries LLC directly. We want to ensure your complete satisfaction at all times.

Sincerely,

Venco Venturo Industries LLC

Record Product Information

Before installing, setting up and operating your new crane, please locate the serial plate on the crane and record the information provided to the right. You can locate the serial number plate by looking at where the primary boom connects with the mast at the top. This information will be necessary, should you seek technical support.

Model:

Serial Number:

Product Registration and Customer Support

Please register your product on our website, www.venturo.com/warranty-policy/.

If you have difficulty assembling this product or have any questions regarding the controls, operation, or maintenance of this crane, you can seek help from our expert customer support. Choose from the options below:

- Visit us on the web at www.venturo.com
 - Download this owner's manual at www.venturo.com/owner-manuals/
- Call a Customer Support Representative or Technical Support at (800) 226-2238
- Locate the nearest Venturo Distributor in your area (800) 226-2238 or info@venturo.com



VENCO VENTURO INDUSTRIES LLC
CINCINNATI, OHIO

TITLE

LEAD PAGE

DATE

10-31-16

SECTION

-

VC750FB

SUPERSEDES

-

CEV180

TABLE OF CONTENTS
VC750FB (VJCAA) OWNER'S MANUAL

CEV180	LEAD PAGE
<u>SECTION 100</u>	<u>INSTALLATION</u>
▲ CEV182	PACKAGE CONTENTS
▲ CEV155	INSTALLATION INSTRUCTIONS; MINIMUM REQUIREMENTS
▲ V.S.M.D.	VEHICLE S PECIFIC M OUNTING D ETAIL
▲	2016 - CURRENT FORD TRANSIT MID/HIGH ROOF (CEV130 & CEV131)
CEV183	INSTALLATION INSTRUCTIONS; VC750FB CRANE
CEV169	ELECTRICAL INSTALLATION INSTRUCTIONS
CEV223	BATTERY CABLE INSTALLATION
CEV172	WIRING DIAGRAM
<u>SECTION 200</u>	<u>USER GUIDE</u>
CE-044	CRANE SAFETY AND HAZARDS
CEV150	OPERATING INSTRUCTIONS & MAINTENANCE
CEV156	USER INSTRUCTIONS
<u>SECTION 300</u>	<u>SPECIFICATIONS</u>
CEV189	DIMENSIONS & CAPACITY
CEV162	WIRE ROPE & HOOK SPECIFICATIONS
<u>SECTION 400</u>	<u>REPLACEMENT PARTS</u>
CEV231	REPLACEMENT PARTS DRAWING
CEV232	REPLACEMENT PARTS LIST
CEV233	REPLACEMENT HARDWARE DRAWING
CEV234	REPLACEMENT HARDWARE LIST
CE-055	REPLACEMENT PARTS DRAWING & LIST; WINCH
CEV224	REPLACEMENT PARTS DIAGRAM; CE-008 CONTACTOR BOX
CEV170	SAFETY DECALS
CEV171	SAFETY DECALS
CEV190	DECAL DRAWINGS & LIST
CEV192	DECAL LOCATIONS
CEV193	KIT; CEV194 FIELD SERVICE LABELS



VENCO VENTURO INDUSTRIES LLC
 CINCINNATI, OHIO

TITLE	DATE	SECTION
TABLE OF CONTENTS	11-21-16A	TOC
VC750FB (VJCAA)	SUPERSEDES 10-31-16	CEV181



SECTION 100

INSTALLATION

PACKAGE CONTENTS
VC750FB (VJCAAA)

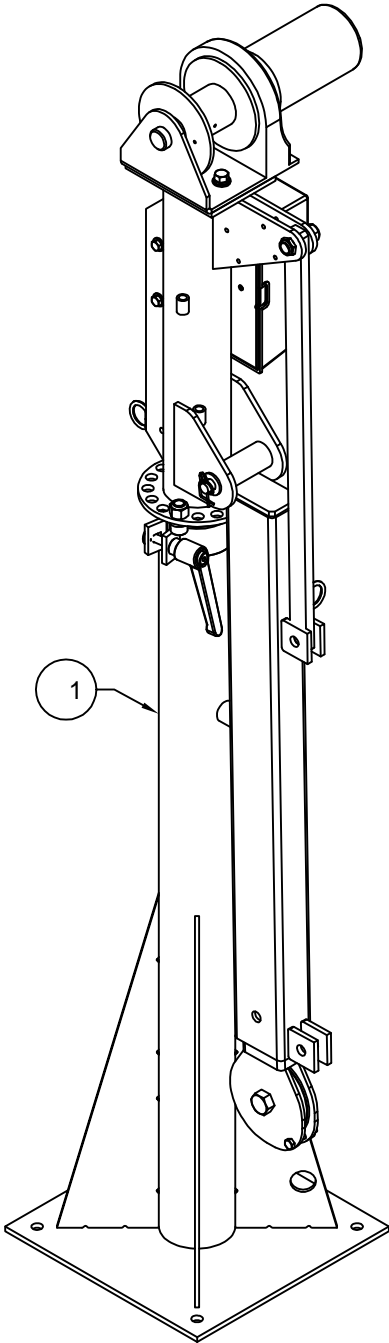
The VC750FB Van Crane will ship with some sections pre-assembled from the factory. Below are illustrations to help identify the Van Crane and Installation Kit components.

VC750FB VAN CRANE

Locate and identify the following crane sections:

1. VC750FB Crane frame with winch

NOTE: Some fasteners are located in the installation kit.



CEV195 INSTALLATION KIT

Locate and identify the following components:

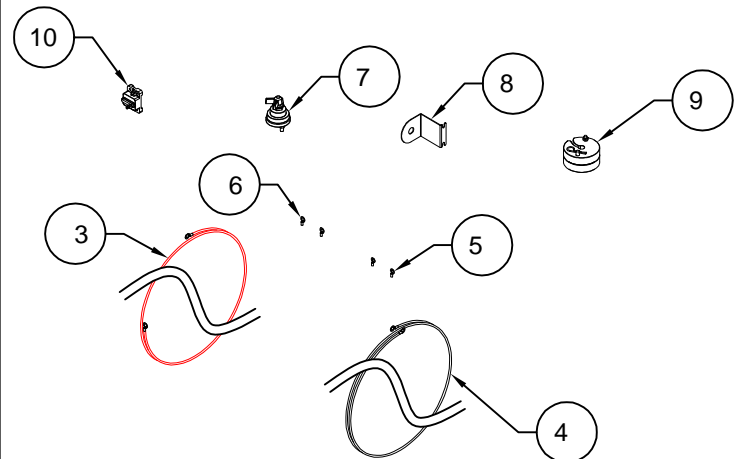
- † 2. [1] Installation Kit Box (#BOX24*12*8)
3. [1] Red Battery Cable (#01025-4*29FT)
4. [1] Black Battery Cable (#01025-4*28FT)
5. [2] 5/16 Terminal Ring (!TERM4G313RG)
6. [2] 3/8 Terminal Ring (!TERM4G375RG)
7. [1] Master Disconnect Switch (#13451)
8. [1] Switch Mounting Bracket (#19516)
9. [1] Headache Ball Assembly (#16735)

FASTENERS

- † 10. [4] 1/2-13 X 1/2" HH Cap Screws (!HHCS05013150)
- † 11. [4] 1/2" SAE Flat Washers (!FWSH-050SAE)
- † 12. [4] 1/2-13 Lock Nuts, Nylon (!LNUT-05013)

OPTIONAL EQUIPMENT

13. [1] 150A CIRCUIT BREAKER (#22946-150)



† NOT SHOWN



VENCO VENTURO INDUSTRIES LLC
CINCINNATI, OHIO

TITLE
PACKAGE CONTENTS

VC750FB (VJCAAA)

DATE
11-03-16

SUPERSEDES

-

SECTION
C100

CEV182

INSTALLATION INSTRUCTIONS / MINIMUM HARDWARE SPECIFICATIONS
 VC750FB (VJCAAA) VAN CRANES ▲

THE VC750FB VAN CRANE IS DESIGNED TO BE INSTALLED IN EITHER THE RIGHT SIDE OF THE VAN NEAR THE SIDE CARGO DOOR (PRIMARY LOCATION) OR THE RIGHT REAR CORNER (SECONDARY LOCATION). ▲

!! MINIMUM HARDWARE SPECIFICATIONS !!

Reinforcement plates

It is the installer's responsibility to ensure the van's floor structure is able to withstand the stresses applied when lifting and maneuvering loads into and out of the van. Additional sub-floor plating may be required.

Bolts ▲

The VC750FB mounting bolts should be 1/2" in diameter with 13 threads per inch (1/2-13), grade 5 steel zinc plated. Lengths will vary depending on crane location, vehicle structure, and / or additional reinforcement requirements.

Washers

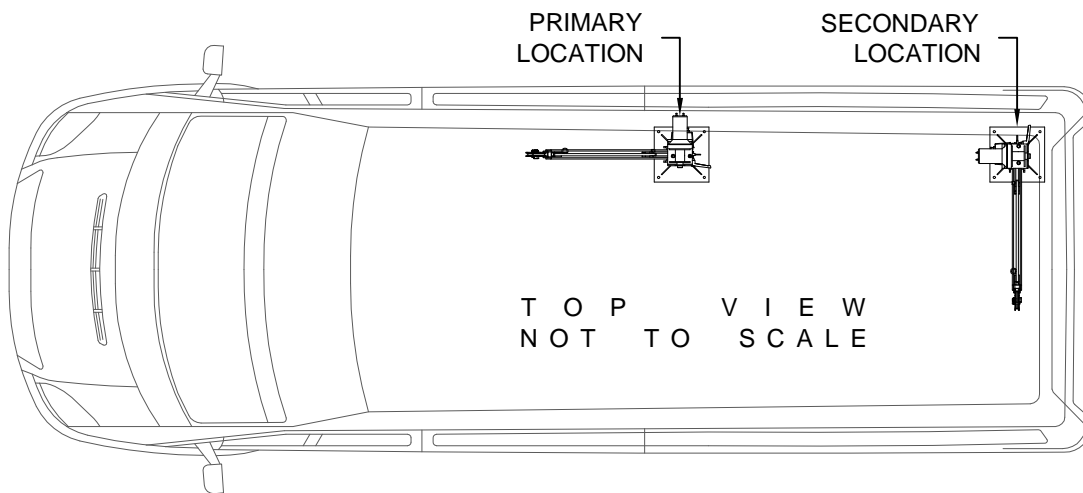
Use 1/2" flat washers. One [1] flat washer per bolt head (where applicable) and one [1] flat washer for the Nylon lock (nyloc) nut. Washers must be at grade 5 steel and zinc plated.

Nyloc Nuts

Four [4] 1/2-13 nyloc nuts must be properly torqued to 75 ft. lbs. to secure the crane to the van floor.

! C A U T I O N

- ▲ THE VC750FB (750 LBS.) CAPACITY IS BASED UPON VAN'S STRUCTURAL LIMITATIONS OF THE FLOOR, NOT WINCH CAPACITY. IT IS THE INSTALLER'S RESPONSIBILITY TO ENSURE PROPER REINFORCEMENT OF VAN'S STRUCTURE TO SUPPORT THE CRANE AND ITS LOAD.



▲ THE ILLUSTRATION ABOVE SHOWS THE GENERAL PLACEMENT OPTIONS FOR THE VC750FB VAN CRANE, AND IS TO BE USED FOR REFERENCE ONLY. SPECIFIC LOCATIONS WILL BE LIMITED BY VEHICLE STRUCTURES AND / OR INSTALLER PREFERENCE(S).



VENCO VENTURO INDUSTRIES LLC
 CINCINNATI, OHIO

TITLE
 INSTALL. INSTRUCTIONS

DATE
 01-30-17C

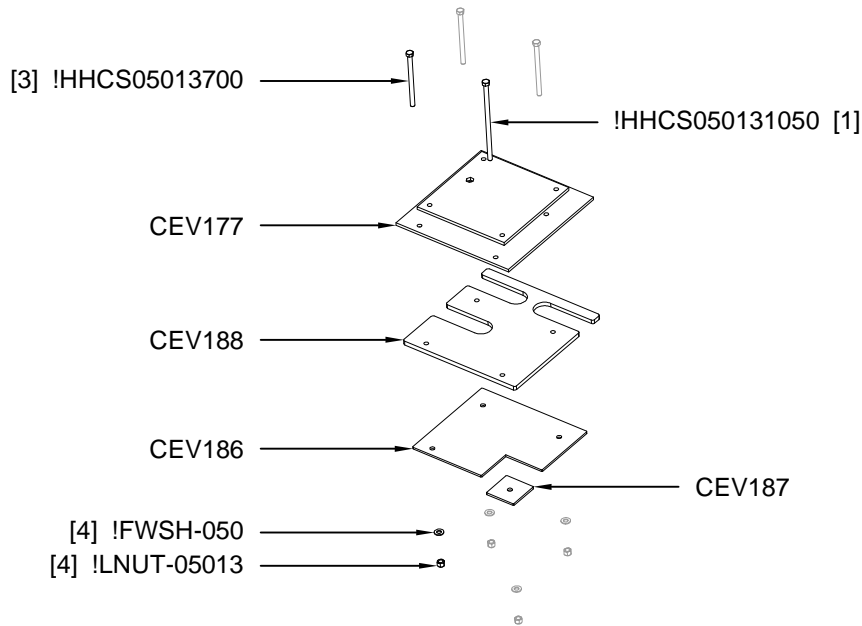
SECTION
 C100

VC750FB VAN CRANES

SUPERSEDES
 11-18-16B

CEV155

READ ALL INSTRUCTIONS FIRST BEFORE PERFORMING INSTALLATION



! W A R N I N G

ADDITIONAL HELP WILL BE REQUIRED TO PERFORM THE INSTALLATION OF YOUR VAN CRANE

1

Shown in caption 1 above is the undercarriage of the 2016 Ford Transit Van (Mid/High Roof model). The slots indicated above are where the threaded bolts will feed thru to secure the Washer Plates.

2

Remove any matting by first placing the Adapter Weldment (CEV177) on top, measuring 3-7/16" and 1/4" from the edges as shown in caption 2. When these measurements are obtained, mark and carefully remove the matting.

3

Place the Spacer Plate (CEV188) as shown in caption 3, using the same measurements from caption 2. Mark the [4] 1/2" holes and move Spacer Plate aside. Drill [4] 1/2" clearance holes.

!! CAUTION !!

Prior to drilling, make sure there are no obstacles under the floor (i.e. brake lines, fuel lines, etc.).

4

Feed [4] 1/2-13 X 1-1/2" bolts thru the larger plate of the Adapter Weldment (CEV177). The hexagonal cutouts of the larger plate will keep the bolts from turning when attaching the van crane. Taping the holes will keep them from falling out.

PROCEED TO DRAWING CEV131

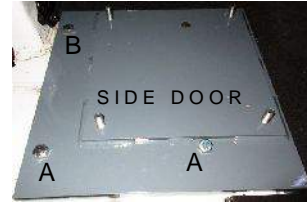
	TITLE CEV900-1VJS INSTALLATION	DATE 11-17-16	SECTION C100
	VC750FB (VJCAA)	SUPERSEDES -	CEV130

5



Return the Spacer Plate (CEV188) back into place using the drilled holes for alignment. Carefully slide the Adapter Weldment Plate (CEV177) over the Spacer Plate. Use [1] 1/2-13 X 7" bolt, indicated above, to help align Weldment Plate onto Spacer Plate.

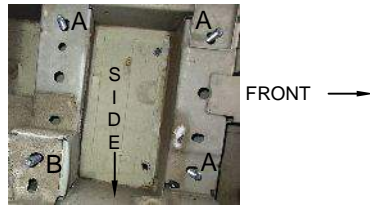
6



Place the remaining bolts as follows:

- A 1/2-13 X 7" [2]
- B 1/2-13 X 10-1/2" [1]

7



From underneath, the bolts should clear each of the vehicle's slots.

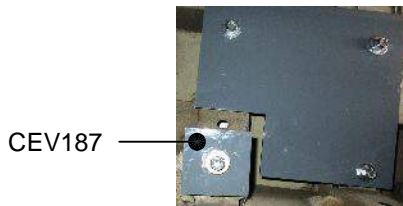
- A 1/2-13 X 7" [3]
- B 1/2-13 X 10-1/2" [1]

8



Carefully align and place the Washer Plate 'L' (CEV186) as shown in caption 8. While holding the plate up against the vehicle's frame, insert [1] 1/2" flat washer and [1] 1/2-13 lock nut onto each bolt.

9



Attach the smaller washer plate (CEV187) with [1] 1/2" flat washer and [1] 1/2-13 lock nut as shown in caption 9. Do not tighten at this time.

10



Align the smaller washer plate edges with the vehicles frame, and tighten the nylon lock nut. Torque to 75 ft. lbs. Tighten the [3] other lock nuts to 75 ft. lbs.

11

INTENTIONALLY LEFT BLANK

12

INTENTIONALLY LEFT BLANK

PROCEED TO DRAWING CEV183



VENCO VENTURO INDUSTRIES LLC
 CINCINNATI, OHIO

TITLE
 CEV900-1VJS INSTALLATION
 VC750FB (VJCAAA)

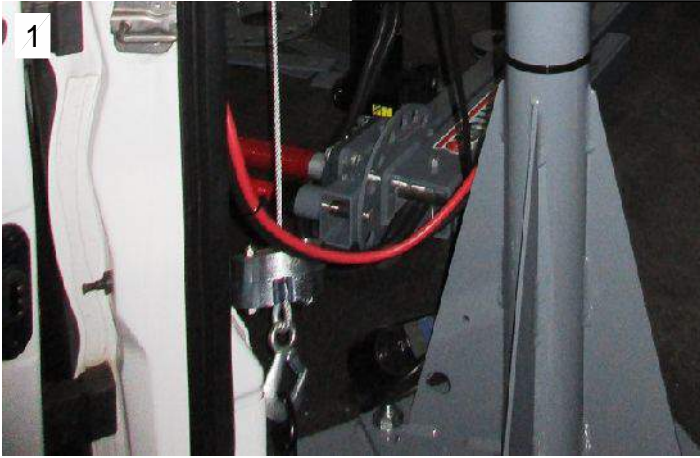
DATE
 11-17-16A
 SUPERSEDES
 11-10-16

SECTION
 C100
 CEV131

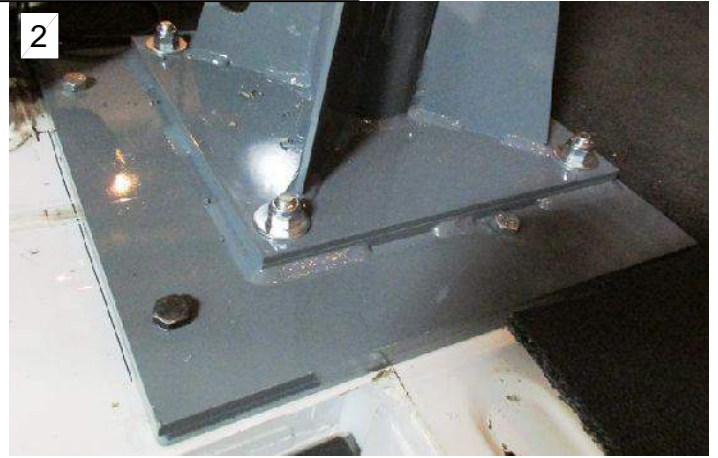
READ ALL INSTRUCTIONS FIRST BEFORE PERFORMING INSTALLATION

! W A R N I N G

- WEIGHT OF THE CRANE ASSEMBLY IS APPROXIMATELY 165 LBS.
ADDITIONAL HELP WILL BE REQUIRED TO PERFORM THE NEXT STEP(S)



Carefully place the crane on top of the mounting plate as shown in caption 1. Make sure the gusset with the hole is near the inner van wall and that the bolts feed thru each hole of the crane's base plate.



Feed [4] 1/2" flat washers and [4] 1/2-13 nylon lock nuts (nyloc) onto each bolt sticking up thru the crane's base plate as shown in caption 2. Torque nyloc nuts to 75 ft. lbs.



Make sure the Rotation Stops keep the boom from making contact with any part of the van.



It may be necessary to adjust the Rotation Stop hardware to keep the boom from colliding with any part of the van or fixtures.



VENCO VENTURO INDUSTRIES LLC
CINCINNATI, OHIO

TITLE
INSTALL. INSTRUCTIONS
VC750FB (VJCAAA)

DATE
11-18-16A
SUPERSEDES
11-04-16

SECTION
C100
CEV183

INSTALLATION INSTRUCTIONS (ELECTRICAL)
VC750FB (VJCAAA) VAN CRANES ▲

Using the [2] battery cables in the kit (provided), install the ground (black) and 12V (red) to the crane's contactor box per drawing CEV223.

Install the master disconnect switch close to the crane and within reach of the operator. Using the red battery cable, route the cable to the disconnect switch. The cable will need to be cut to length. Strip both ends of cable, install the heat shrink tube and the battery terminal (provided). Crimp or solder the terminals on each end and slide the heat shrink insulator up onto the terminal. Use a heat gun or equivalent to seal the tube to the cable.

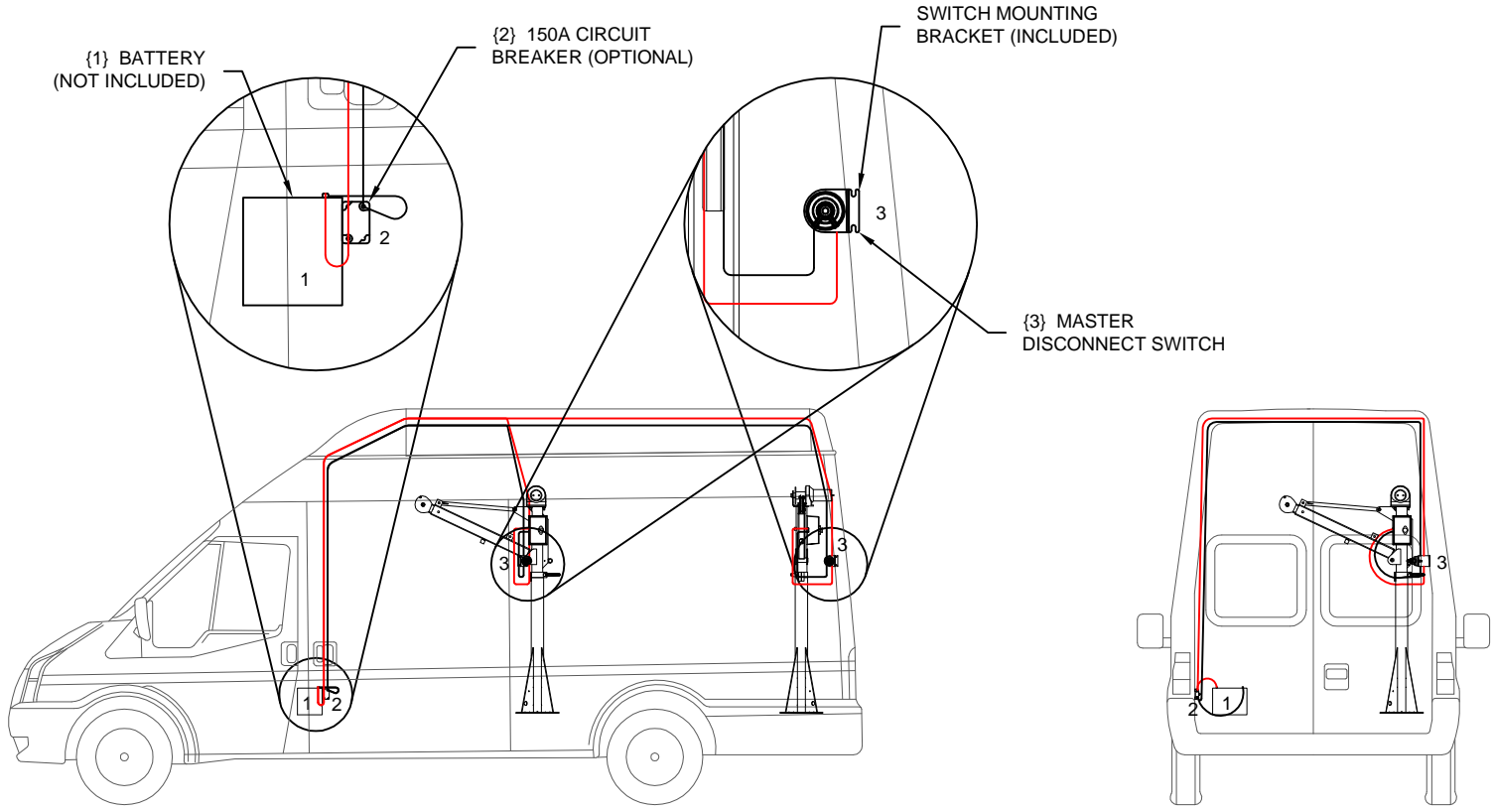
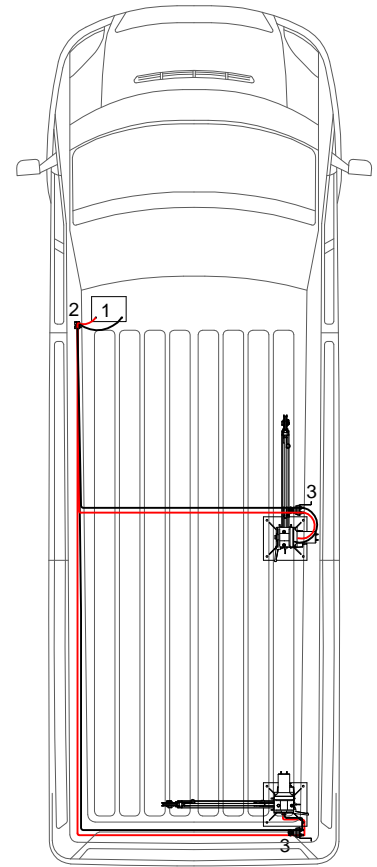
Connect the crane side of the cable to the master disconnect switch and the other cable's end to the second terminal on the switch.


NOTE: Both ground and 12v cables must be routed directly to the battery (not included).

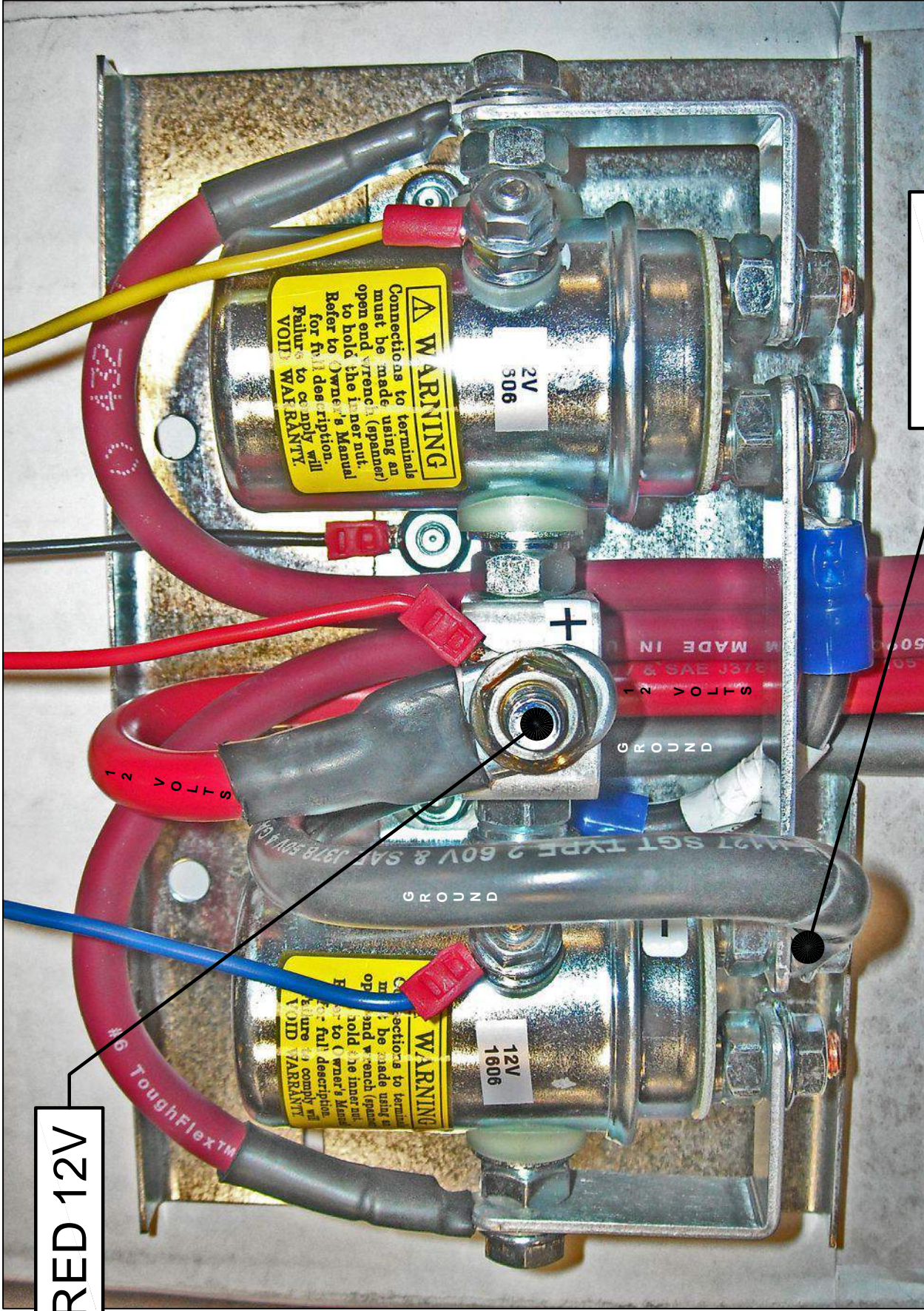
Route cables using the vehicles current harness path. Secure both cables to the battery (located under the driver's seat), while protecting them from sharp edges, heat or anything that could damage the cables. Install the black cable to the negative (-) post and red cable to the positive (+) post.

NOTE: If you purchased the optional 12v 150 amp circuit breaker, install the circuit breaker as close to the battery as possible. The red 12v cable will need to be cut and the heat shrink & terminals installed in the same manner as the master disconnect switch.

Plug the pendant into the contactor box and turn the master disconnect switch 'ON'. Crane is ready for use. When crane is not in use, the master disconnect switch must be 'OFF' and the pendant removed.




 VENCO VENTURO INDUSTRIES LLC CINCINNATI, OHIO	TITLE ELEC. INSTALL. INSTRCTNS	DATE 01-30-17A	SECTION C100
	VC750FB VAN CRANES ▲	SUPERSEDES 11-01-16	CEV169

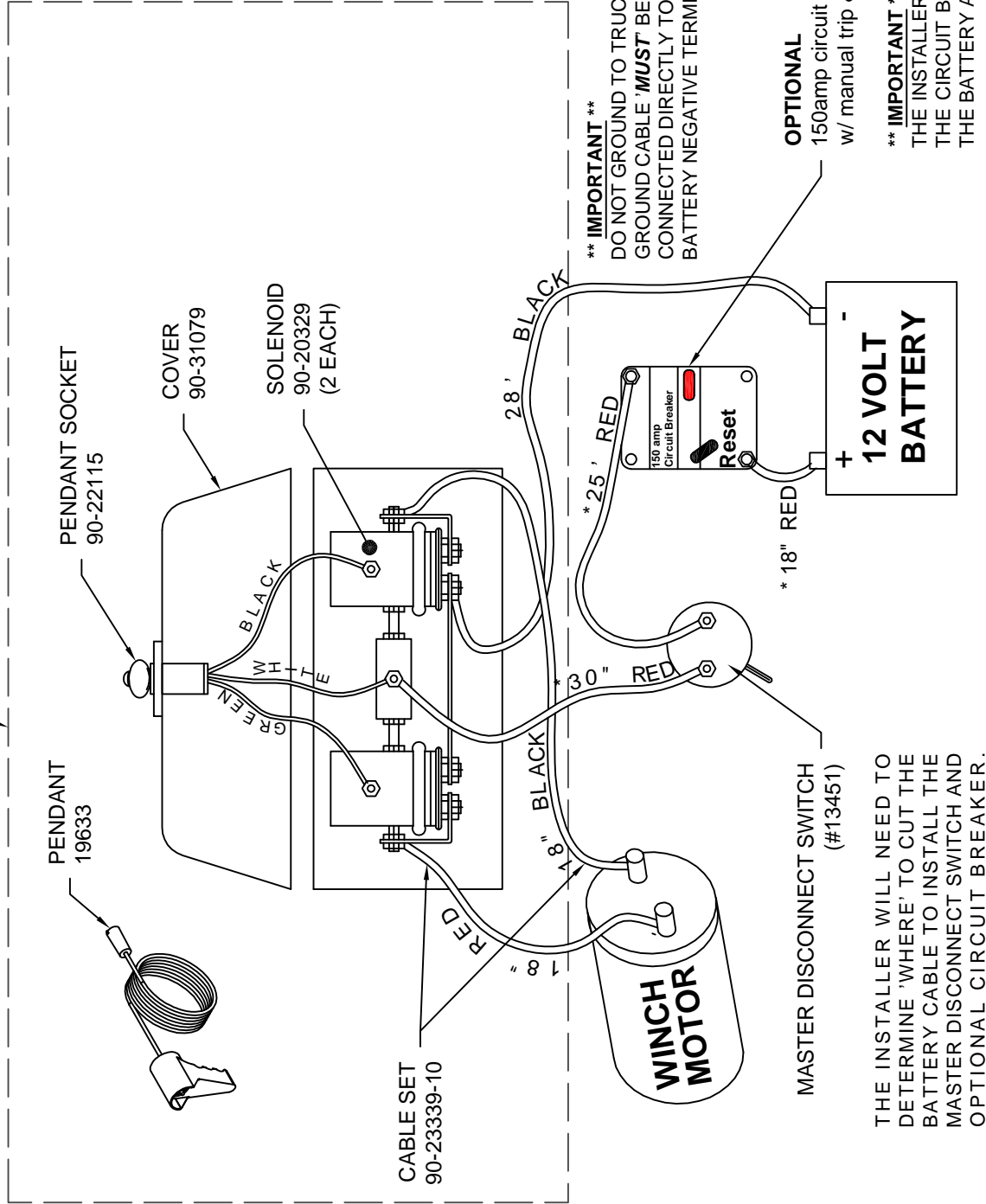


GROUND

RED 12V

 VENCO VENTURO INDUSTRIES LLC CINCINNATI, OHIO	TITLE	BATTERY CABLE INSTALLATION	
	DATE	08-30-16	SECTION
	SUPERSEDES	-	CEV223

CE-008 KIT
NOTE: CE-008-D = KIT LESS 19633 PENDANT




**** IMPORTANT ****
DO NOT GROUND TO TRUCK FRAME;
GROUND CABLE **'MUST'** BE
CONNECTED DIRECTLY TO THE
BATTERY NEGATIVE TERMINAL.

OPTIONAL
150amp circuit breaker (#22964-150)
w/ manual trip & reset feature

**** IMPORTANT ****
THE INSTALLER **'MUST'** LOCATE
THE CIRCUIT BREAKER AS CLOSE TO
THE BATTERY AS PRACTICAL.

THE INSTALLER WILL NEED TO
DETERMINE 'WHERE' TO CUT THE
BATTERY CABLE TO INSTALL THE
MASTER DISCONNECT SWITCH AND
OPTIONAL CIRCUIT BREAKER.

* RED CABLE LENGTHS ARE FOR REFERENCE ONLY. INSTALLATION LENGTHS MAY VARY.

 VENCO VENTURO INDUSTRIES LLC CINCINNATI, OHIO	TITLE	WIRING DIAGRAM
	SECTION	C100
	DATE	01-30-17A
	SUPERSEDES	11-01-16
		VC750FB (VJCAAA) VAN CRANES ▲
		CEV172



SECTION 200

USER GUIDE

CAUTIONS

1. INSPECT VEHICLE AND CRANE, INCLUDING OPERATION, PRIOR TO USE DAILY.
2. DO NOT USE THIS EQUIPMENT EXCEPT ON SOLID, LEVEL SURFACE WITH CRANE MOUNTED ON FACTORY RECOMMENDED TRUCK.
3. BEFORE OPERATING THE CRANE, REFER TO MAXIMUM LOAD (CAPACITY) CHART ON CRANE FOR OPERATING (LOAD) LIMITATIONS.
4. DO NOT OPERATE, WALK, OR STAND BENEATH BOOM OR A SUSPENDED LOAD.
5. UNPLUG PENDANT (AND OPTIONAL ELECTRIC QUICK DISCONNECT, IF ON MODEL) WHEN NOT IN USE.
6. FOR TRAVEL, BOOM MUST BE TIED DOWN IN THE STOWED POSITION.

DANGER

- THIS CRANE IS NOT A PASSENGER LIFT
- IT IS NOT DESIGNED OR INTENDED TO BE USED TO LIFT, SUPPORT, OR OTHERWISE TRANSPORT PERSONNEL.

YOU MUST NOT OPERATE THIS CRANE UNLESS :

1. YOU HAVE BEEN TRAINED IN THE SAFE OPERATION OF THIS CRANE, **AND**
2. YOU KNOW AND FOLLOW THE SAFETY AND OPERATION RECOMMENDATIONS CONTAINED IN THE MANUFACTURER'S MANUALS, YOUR EMPLOYER'S WORK RULES, AND APPLICABLE GOVERNMENT REGULATIONS. AN UNTRAINED OPERATOR SUBJECTS THEMSELVES AND OTHERS TO DEATH OR SERIOUS INJURY.

REFERENCE SAFETY MANUAL INST-23233



VENCO VENTURO INDUSTRIES LLC
CINCINNATI, OHIO

TITLE	DATE	SECTION
CRANE SAFETY & HZRDS	02-20-17E	C200
▲ CE-/CEV/ESV SERIES CRANES	SUPERSEDES 09-08-16D	CE-044

OPERATING INSTRUCTIONS

ELECTRIC WINCH

The winch is operated by a control switch in a plug-in remote pendant. Unplug the pendant and store it in the vehicle when the crane is not in use. For optional 110 volt AC winch, the pendant is non-removable.

ROTATION LOCK

Before lifting the load, make sure the brake handle is tightened to keep boom from rotating (do not pull items at an angle. The load hook must be centered over the load.)

BOOM TIE-DOWN

Release support bar and store crane in the folded position with pin assembly included in the support bar (See drawing CEV156).



C A U T I O N

- BOOM MUST BE FOLDED AND SECURED (STOWED POSITION) BEFORE DRIVING VEHICLE. DO NOT DRIVE WITH BOOM EXTENDED OUT.

MASTER DISCONNECT SWITCH

The Master Disconnect Switch isolates electrical power from the crane and should be switched OFF anytime the crane is NOT in use.

OPTIONAL CIRCUIT BREAKER

An optional 150amp circuit breaker (#22964-150) is available. The circuit breaker should be placed between the lead-acid battery supply and the crane; **as close as practical to the lead-acid battery.**

MAINTENANCE

WINCH

The winch is permanently lubricated. There may be grease leakage out of the winch, especially during the first few operations. This is normal and it is not necessary to grease or oil any part of the winch at any time.

WIRE ROPE

Inspect wire rope periodically. If any wear or fraying exists, replace wire rope.



VENCO VENTURO INDUSTRIES LLC
CINCINNATI, OHIO

TITLE

OPER. INSTR. & MNTNCE

DATE

01-30-17B

SECTION

C200

VC750FB VAN CRANES ▲

SUPERSEDES

11-01-16A

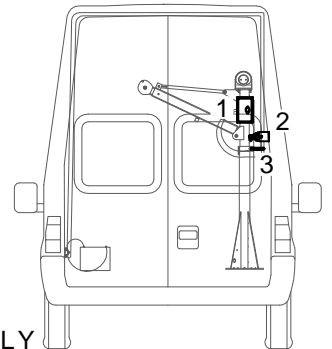
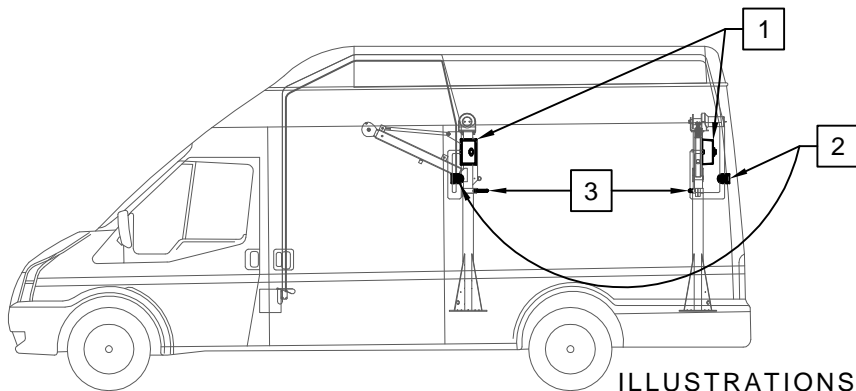
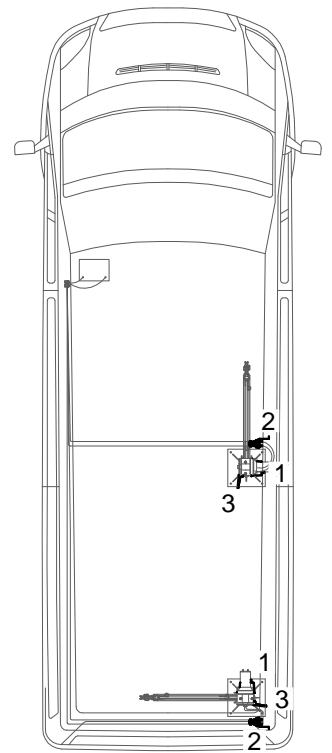
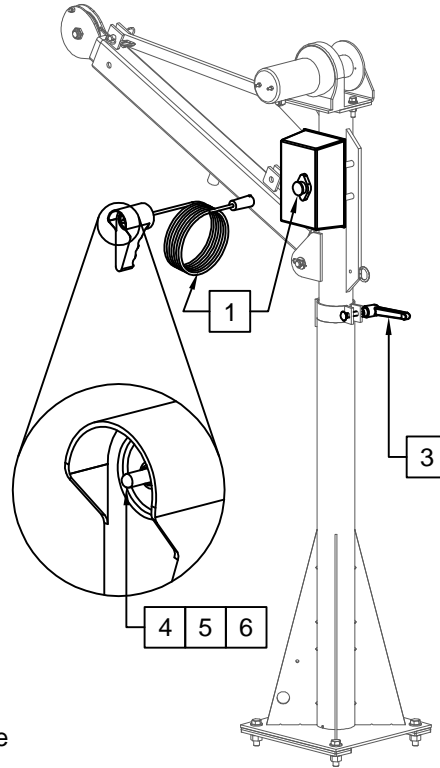
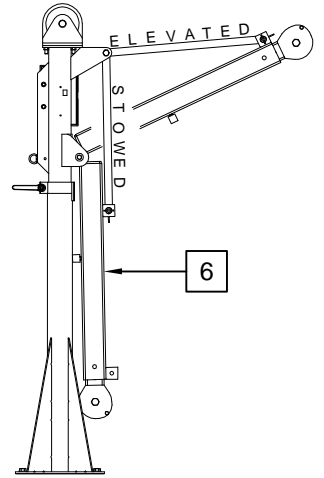
CEV150

USER GUIDE

VC750FB (VJCAAA) VAN CRANES ▲

- Prior to using crane, read all operator instructions and Safety Manual
- Make sure you are familiar with all of the controls, functions, and locking mechanisms
- Read and adhere to all safety placards that are installed on the crane and the vehicle
- Since the manufacturer has no direct control over the crane application and operation, conformance with good safety practices is the responsibility of the operator
- The van and crane are to be positioned on firm level surfaces with the chassis brake engaged
- Whenever possible, always rotate the crane or boom by 'pushing' away from you
- Always use proper rigging hardware and slings

1. Plug control pendant into socket located on the crane
2. Turn Master Disconnect Switch to the 'ON' position
3. Loosen Brake Handle to rotate the crane and center the wire rope hook over the load
4. Using the pendant, lower hook to the load and attach to the proper rigging hardware / sling(s)
5. Carefully raise the load so it will clear the van floor and move load to desired location
6. Unhook the load and stow the hook. Reposition the crane into the stowed position for travel, and secure the load.



ILLUSTRATIONS FOR REFERENCE ONLY



VENCO VENTURO INDUSTRIES LLC
CINCINNATI, OHIO

TITLE
USER INSTRUCTIONS

VC750FB VAN CRANES ▲

DATE
01-30-17B

SUPERSEDES
11-01-16A

SECTION
C200

CEV156



SECTION 300

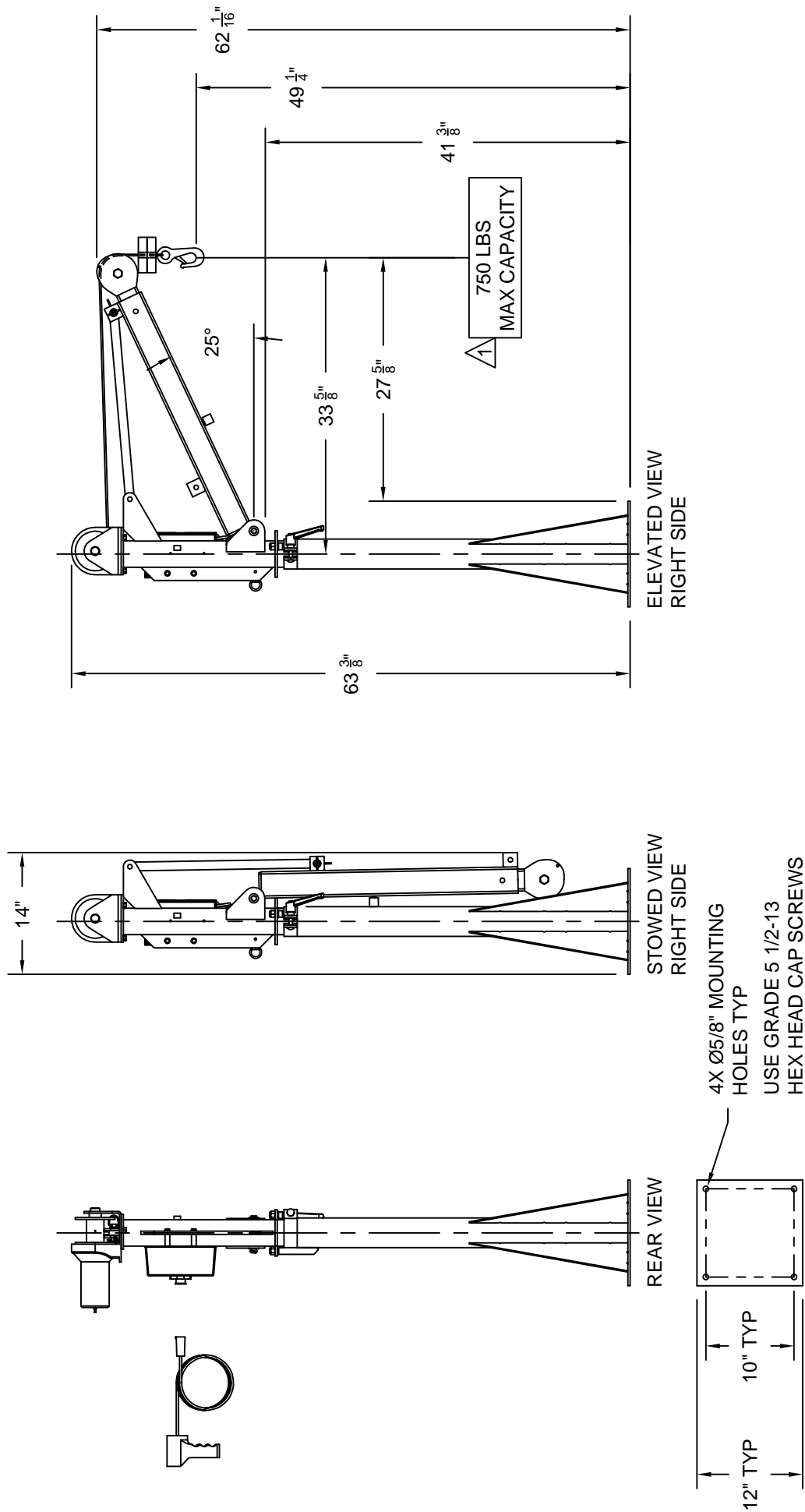
SPECIFICATIONS

CAUTION

- 750 LBS MAXIMUM CAPACITY IS BASED UPON TYPICAL VAN FLOOR STRUCTURE LIMITATIONS, NOT WINCH CAPACITY. IT IS THE SOLE RESPONSIBILITY OF THE INSTALLER TO DETERMINE IF ADDITIONAL FLOOR REINFORCEMENT IS NECESSARY.

WARNING

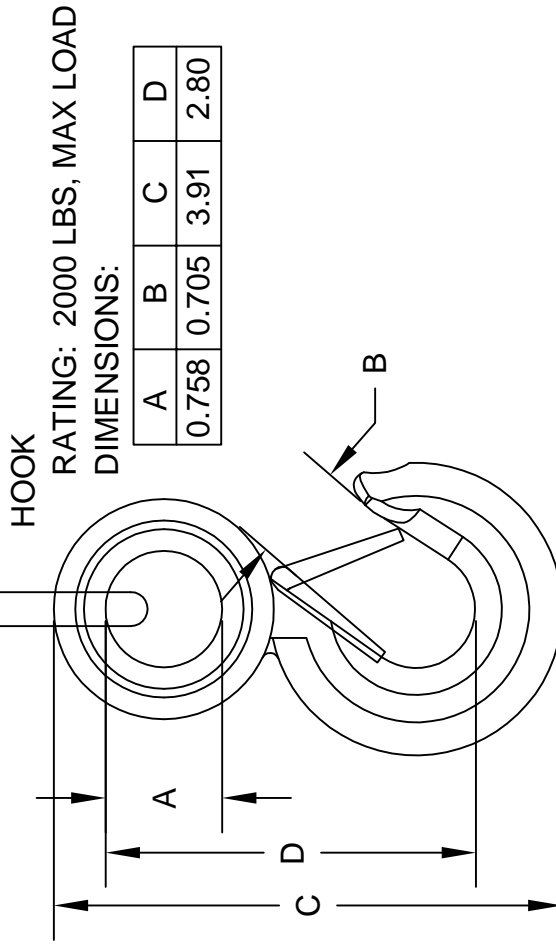
- THESE PRODUCTS ARE NOT PASSENGER LIFTS. THEY ARE NOT DESIGNED OR INTENDED TO BE USED TO LIFT, SUPPORT OR OTHERWISE TRANSPORT PERSONNEL.



 VENCO VENTURO INDUSTRIES LLC CINCINNATI, OHIO	TITLE DIMENSIONS & CAPACITY	
	DATE 11-03-16	SECTION C300
VC750FB (VJCAA)		SUPERSEDES -
CEV189		

15810-3/16-25 WIREROPE ASSEMBLY

TYPE: 3/16" DIAMETER
 7 x 19, GALVANIZED
 (GAC 7X19 LHRL-IWRC, SB 4200)
 LENGTH: 25'



VENCO VENTURO INDUSTRIES LLC
 CINCINNATI, OHIO

TITLE
 WIREROPE & HOOK SPECIFICATIONS

VC750FB/1000 & ESV-1000 SERIES CRANES

DATE
 02-22-17G

SUPPERSEDES
 01-30-17F

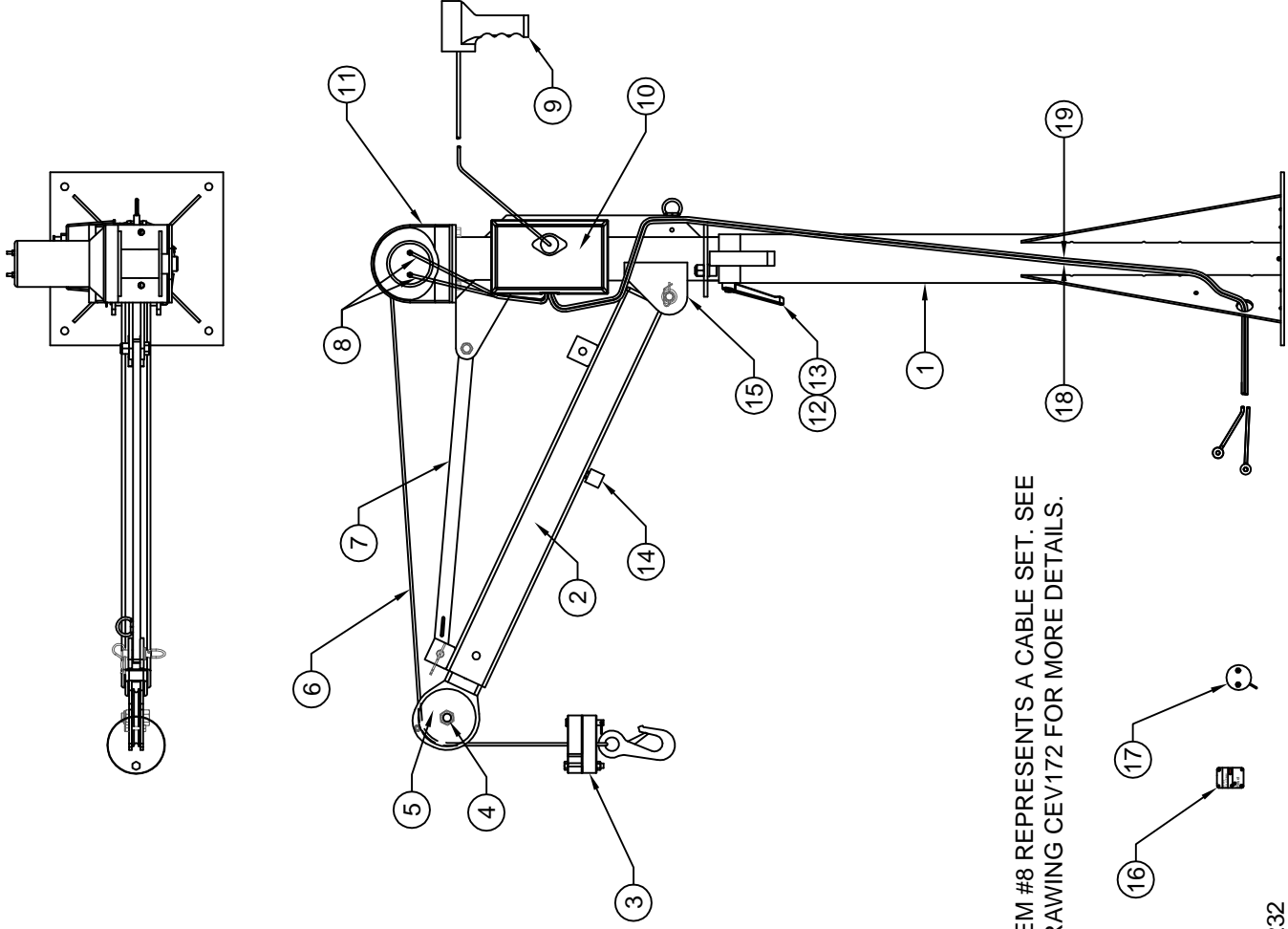
SECTION
 C300

CEV162



SECTION 400

PARTS



NOTE:
 ITEM #8 REPRESENTS A CABLE SET. SEE
 DRAWING CEV172 FOR MORE DETAILS.

SEE REPLACEMENT PARTS LIST #CEV232



VENCO VENTURO INDUSTRIES LLC
 CINCINNATI, OHIO

TITLE
 REPLACEMENT PARTS DRAWING

VC750FB (VJCAAA)

DATE
 11-03-16

SUPERSEDES
 -

SECTION
 C400

CEV231

REPLACEMENT PARTS LIST
VC750FB (VJCAAA)

ITEM	PART NUMBER	QTY	DESCRIPTION
1	CE-150	1	BASE ASSEMBLY
2	CEV153	1	WELDED ASSEMBLY; PRIMARY BOOM
3	16735	1	HEADACHE BALL ASSEMBLY
4	13168-7	1	SLEEVE
5	19646	1	SHEAVE WITH BUSHING
6	15810-3/16-25	1	WIRE ROPE & HOOK ASSEMBLY
7	CEV164	1	SUPPORT BAR ASSEMBLY
8	90-23339-10	1	CABLE SET; #8 GA., RED & BLACK CABLES (REF. DWG #CEV172)
9	CE-006	1	PENDANT
10	CE-008	1	REMOTE KIT
11	CE-009	1	WINCH (MODEL X1, REF. P/N 1102C)
12	CE-017	1	BRAKE HANDLE
13	!CHCS03816150	1	CARRIAGE BOLT; 3/8-16 X 1-1/2" LG., GR. 5
14	PL-20-364	1	BUMPER
15	CE-059-3	1	UPPER BODY ASSEMBLY
16	22946-150	(1)	OPTIONAL CIRCUIT BREAKER; 150A, MANUAL RESET / TRIP
17	13451	1	MASTER DISCONNECT SWITCH
18	01025-4*29FT	1	BATTERY CABLE ASSY; #4 GAUGE, RED
19	01025-4*28FT	1	BATTERY CABLE ASSY; #4 GAUGE, BLACK
20	-	-	-
21	-	-	-
22	-	-	-
23	-	-	-
24	-	-	-
25	-	-	-
26	-	-	-
27	-	-	-
28	-	-	-
29	-	-	-
30	-	-	-

SEE REPLACEMENT PARTS DWG #CEV231

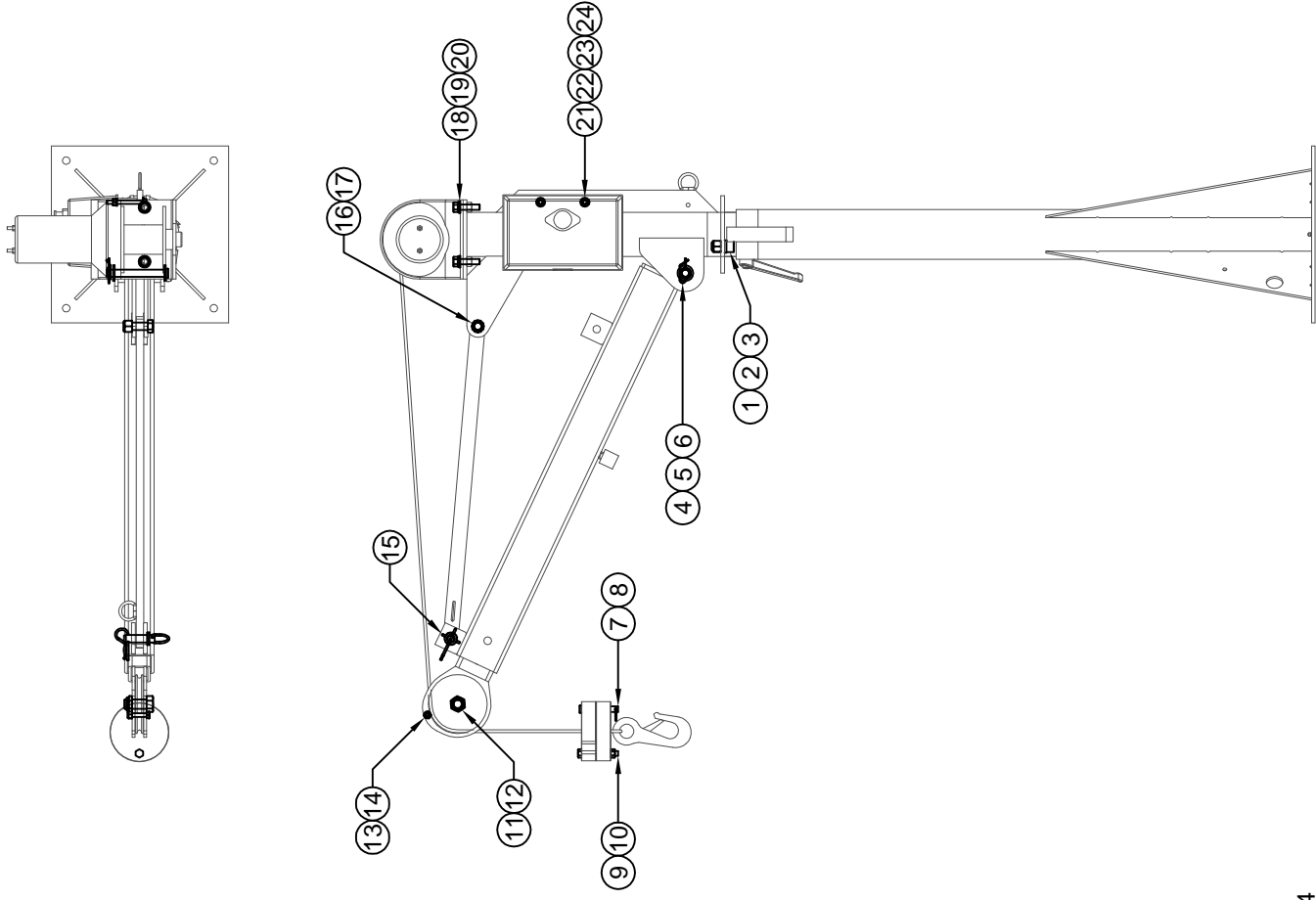


VENCO VENTURO INDUSTRIES LLC
CINCINNATI, OHIO

TITLE
REPLCMNT PART LIST
VC750FB (VJCAAA)

DATE
11-04-16
SUPERSEDES
-

SECTION
C400
CEV232



SEE REPLACEMENT PARTS LIST #CEV234



VENCO VENTURO INDUSTRIES LLC
CINCINNATI, OHIO

TITLE
REPLACEMENT HARDWARE DRAWING

VC750FB (VJCAAA)

DATE
11-04-16

SUPERSEDES
-


SECTION
C400

CEV233

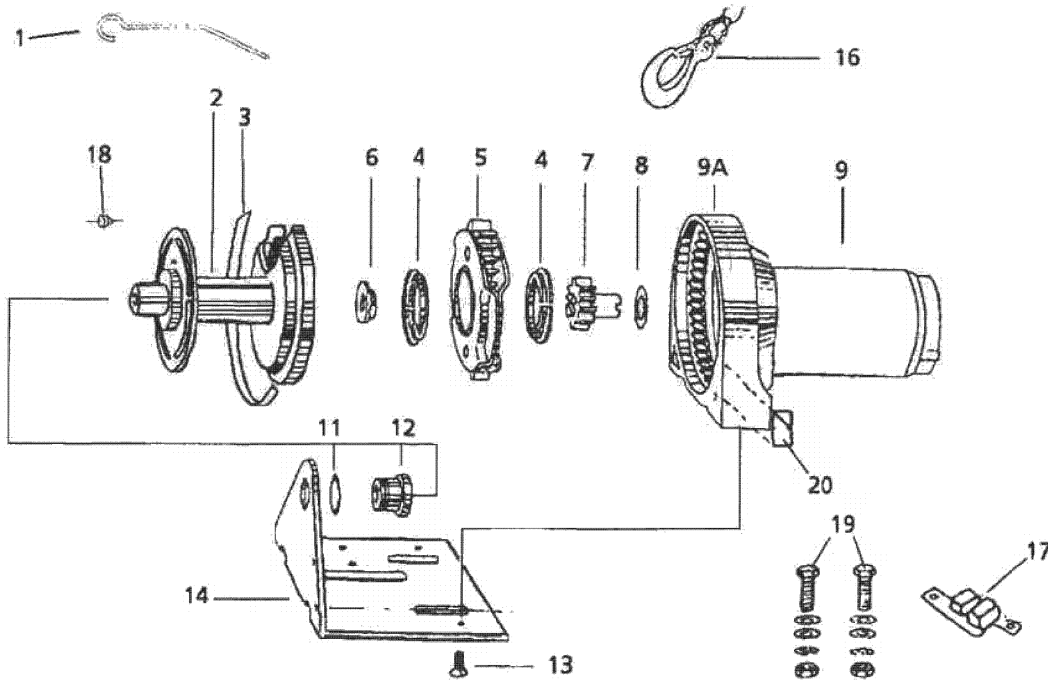
REPLACEMENT HARDWARE LIST
VC750FB (VJCAAA)

ITEM	QTY	PART NO.	DESCRIPTION
1	2	!SHCS05013100	SOCKET HEAD CAP SCREW; 1/2-13 X 1" LG.
2	2	!LWSH-050	LOCK WASHER; 1/2"
3	2	!LNUT-05013	LOCK NUT; 1/2-13
4	1	CEV165	CLEVIS PIN; PRIMARY BOOM PIVOT
5	2	!FWSH-050SAE	FLAT WASHER; 1/2", SAE
6	1	416554	RUE RING COTTER; 5/8", ZINC PLATED
7	1	16796	CLEVIS PIN; 3/8 X 2-1/2"
8	1	21-06	HAIRPIN COTTER; 2-3/8" LG., ZINC PLATED
9	1	!HHCS03118250	HEX HEAD CAP SCREW; 5/16-18 X 2-1/2" LG., GR. 5 ZINC PLATED
10	1	!HNUT-03118	HEX NUT; 5/16-18, GR. 5 ZINC PLATED
11	1	!HHCS06311150-8	HEX HEAD CAP SCREW; 5/8-11 X 1-1/2" LG., GR. 8
12	1	!JNUT06311N	JAM NUT; 5/8-11, GR. 5, NYLOC
13	1	!HHCS02520150S	HEX HEAD CAP SCREW; 1/4-20 X 1-1/2" LG., GR. 5, STAINLESS STEEL(S/S)
14	1	!LNUT-02520NS	LOCK NUT; 1/4-20, GR. 5, S/S NYLOC
15	1	CE-071	PIN ASSEMBLY; SUPPORT BAR
16	1	!HHCS05013175	HEX HEAD CAP SCREW; 1/2-13 X 1-3/4" LG., GR. 5
17	1	!LNUT-05013	LOCK NUT; 1/2-13, NYLOC, GR. 5
18	2	!HHCS03816150	HEX HEAD CAP SCREW; 3/8-16 X 1-1/2" LG., GR. 5
19	2	!FWSH-038	FLAT WASHER; 3/8", GR. 5
20	2	!LWSH-038	LOCK WASHER; 3/8", GR. 5
21	2	!HHCS02520250S	HEX HEAD CAP SCREW; 1/4-20 X 2-1/2" LG., GR. 5, S/S
22	2	!FWSH-025S	FLAT WASHER; 1/4", GR. 5, S/S
23	2	!LWSH-025S	LOCK WASHER; 1/4", GR. 5, S/S
24	2	!HNUT-025S	HEX NUT; 1/4-20, GR. 5, S/S
25	-	-	-
26	-	-	-
27	-	-	-
28	-	-	-
29	-	-	-
30	-	-	-
31	-	-	-
32	-	-	-
33	-	-	-
34	-	-	-
35	-	-	-

* REFERENCE REPLACEMENT HARDWARE DRAWING CEV233

 VENC0 VENTURO INDUSTRIES LLC CINCINNATI, OHIO	TITLE	DATE	SECTION
	REPLCMNT HDWR LIST	11-04-16	C400
	VC750FB (VJCAAA)	SUPERSEDES	CEV234
		-	

REPLACEMENT PARTS LIST



Reference Number	Description	Part Number	Qty
1	Handsaver	89-32300	1
2	Rotating Gear Drum	90-32038	1
3	Perimeter Bearing	90-23137	1
4	Carrier Bearing	90-23140	2
5	Planetary Gearing Assembly	90-23138	1
6	Nylon Step Washer	90-12418	1
7	10-Tooth Sun Gear	90-22865	1
8	Flat Thrust Washer	90-23120-08	1
9A	Stationary Ring Gear w/ Needle Bearing	90-12629	1
9	12 Volt Motor w/Ring Gear & Needle Bearing	90-32425	1
	12 Volt Motor (external mtg bolt applications only)	90-33293	1
11	Shim Washer	90-23120-05	AR
12	Bushing	90-12174	1
13	5/16" Socket Head Cap Screw	90-23056-02	2
14	Main Frame Base Plate	90-41019	1
16	3/16" x 25' Cable & Hook Assembly	1511	1
17	12V Circuit Breaker Assembly	90-22873	1
18	Rope Retainer	90-12419	1
19	Pair of 3/8" Bolts & Nuts, 4 Flat Washers & 2 Locking Washers	90-22892	1
20	Handsaver Label	90-12417	1
NS	Pulley Block	2227	1

AR denotes "As Required"



VENCO VENTURO INDUSTRIES LLC
CINCINNATI, OHIO

TITLE

WINCH RPLCMNT PARTS

DATE

02-24-17E

SECTION

C400



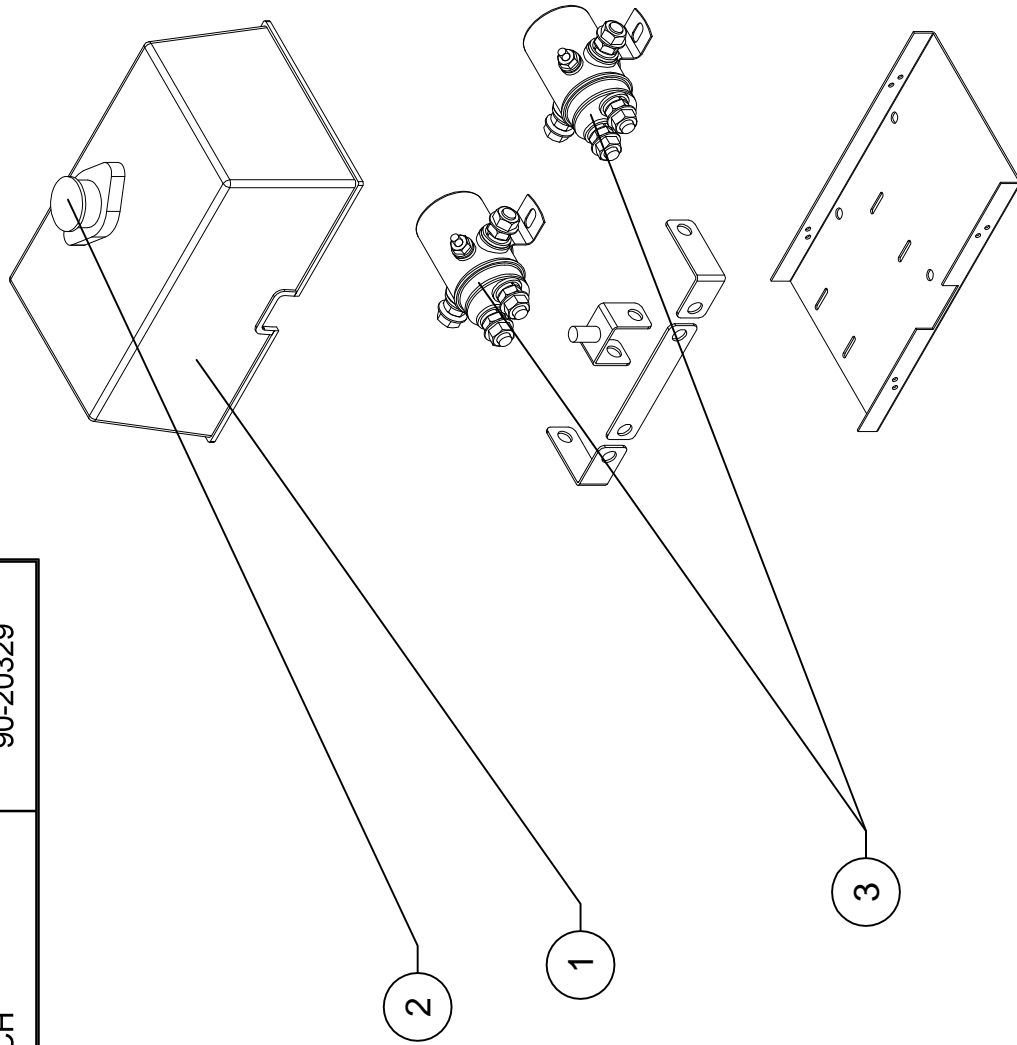
CE-1500-FB/CEV/ESV SERIES

SUPERSEDES

08-18-16D

CE-055

ITEM	QTY	DESCRIPTION	PART #
1	1	COVER; CONTACTOR BOX, PENDANT SOCKET	90-31079
2	1	PENDANT SOCKET, CONTACTOR BOX COVER	90-22115
3	2	SOLENOID; CONTACTOR BOX, WINCH	90-20329



VENCO VENTURO INDUSTRIES LLC
CINCINNATI, OHIO



TITLE
REPLACEMENT PARTS DIAGRAM

CE-008 CONTACTOR BOX

DATE
08-30-16

SUPERSEDES
-

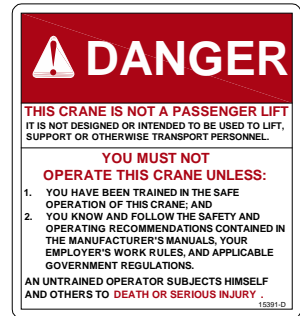
SECTION
C400

CEV224

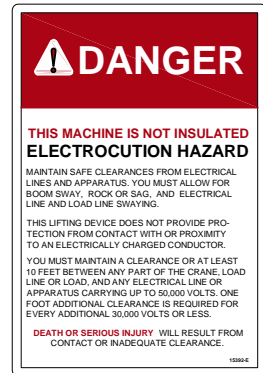
DECAL #: 15390
 DESCRIPTION: CAUTION, INSPECT VEHICLE & CRANE...
 PURPOSE: TO INFORM THE OPERATOR OF KEY OPERATING REQUIREMENTS.
 QUANTITY: 1
 PLACEMENT: UPPER MAST ON SIDE, OPPOSITE PRIMARY BOOM



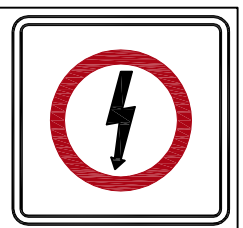
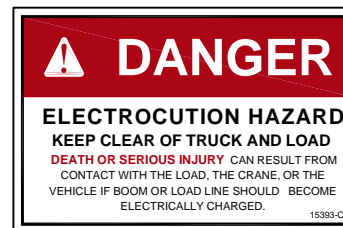
DECAL #: 15391
 DESCRIPTION: DANGER, NOT A PASSENGER LIFT
 PURPOSE: TO INFORM OPERATOR NOT TO LIFT, SUPPORT, OR TRANSPORT PERSONNEL, AND TO ENSURE OPERATOR IS ADEQUATELY TRAINED.
 QUANTITY: 1
 PLACEMENT: UPPER MAST ON SIDE, OPPOSITE PRIMARY BOOM



DECAL #: 15392
 DESCRIPTION: DANGER, ELECTROCUTION HAZARD, MACHINE (CRANE)
 PURPOSE: TO INFORM OPERATOR THAT MACHINE (CRANE) REPRESENTS AN ELECTROCUTION HAZARD SHOULD IT COME CLOSE TO OR IN CONTACT WITH AN ELECTRICAL VOLTAGE SOURCE.
 QUANTITY: 1
 PLACEMENT: UPPER MAST ON SIDE, OPPOSITE PRIMARY BOOM



DECAL #: 15393
 DESCRIPTION: DANGER, ELECTROCUTION HAZARD, VEHICLE (TRUCK)
 PURPOSE: WARNS OF DANGER FROM ELECTRICALLY CHARGED VEHICLE, CRANE, OR LOAD.
 QUANTITY: 4
 PLACEMENT: EACH SIDE & EACH END OF VEHICLE



VENCO VENTURO INDUSTRIES LLC
 CINCINNATI, OHIO

TITLE
SAFETY DECALS

VENTURO VAN CRANES

DATE
 09-29-16A

SUPERSEDES
 08-02-16

SECTION
C400

CEV170

DECAL #: 15513
 DESCRIPTION: MASTER DISCONNECT SWITCH
 PURPOSE: TO INFORM THE OPERATOR OF LOCATION AND OPERATION OF MASTER DISCONNECT SWITCH
 QUANTITY: 1
 PLACEMENT: ON MASTER DISCONNECT SWITCH BRACKET



DECAL #: 15398
 DESCRIPTION: UNPLUG REMOTE CONTROL
 PURPOSE: TO INFORM OPERATOR TO UNPLUG REMOTE CONTROL WHEN NOT IN USE
 QUANTITY: 1
 PLACEMENT: NEAR PENDANT SOCKET



DECAL #: 573403
 DESCRIPTION: WARNING - STOWING
 PURPOSE: TO INFORM OPERATOR TO STAY AWAY FROM THE BOOM WHEN STOWING
 QUANTITY: 1
 PLACEMENT: UPPER MAST ON SIDE, OPPOSITE PRIMARY BOOM



VENCO VENTURO INDUSTRIES LLC
 CINCINNATI, OHIO

TITLE	SAFETY DECALS
	VENTURO VAN CRANES

DATE	09-29-16A
SUPERSEDES	08-02-16

SECTION	C400 ▲
	CEV171

PART NO.: 15672-750
 DECAL: CAPACITY 750 LBS
 FUNCTION: TO SHOW THE OPERATOR THE CAPACITY AT MAX BOOM LENGTH
 QUANTITY: 2
 PLACEMENT: ONE ON EACH SIDE OF BOOM




PART NO.: CEV191
 DECAL: MODEL NAME
 FUNCTION: TO SHOW THE MODEL OF THE CRANE
 QUANTITY: 2
 PLACEMENT: ONE ON EACH SIDE OF BOOM



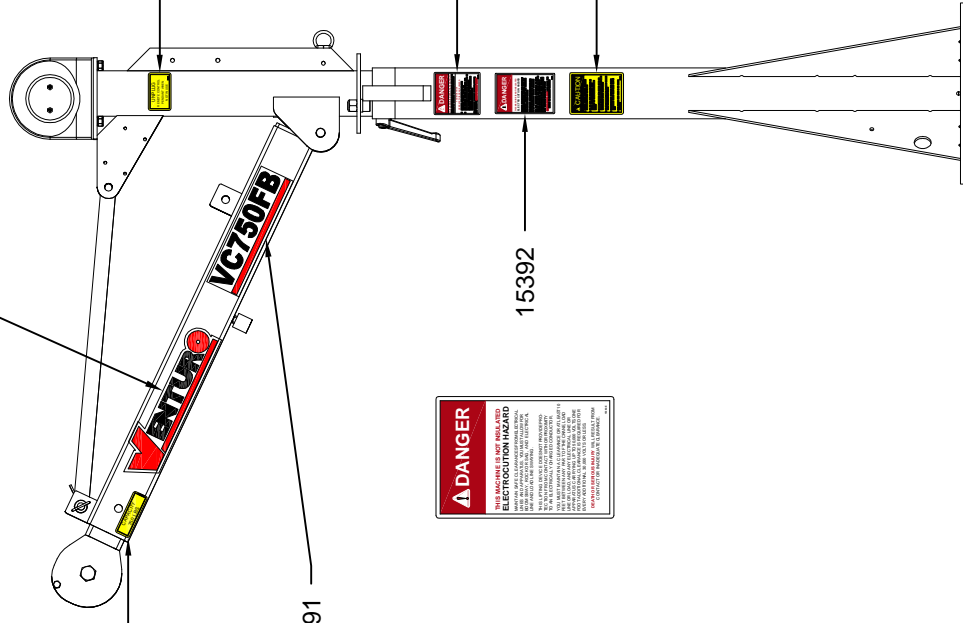
PART NO.: 17389-4
 DECAL: VENTURO
 FUNCTION: MANUFACTURER'S LOGO
 QUANTITY: 2
 PLACEMENT: PRIMARY BOOM, BOTH SIDES NEAR MAST



 VENCO VENTURO INDUSTRIES LLC CINCINNATI, OHIO	TITLE DECAL DRAWING & LIST	DATE 11-01-16	SECTION C400
	VC750FB (VJCAA)	SUPERSEDES -	CEV190



17389-4



CAPACITY
750 LBS.

VC750FB

CEV191


UNPLUG
REMOTE CONTROL
PENDANT WHEN
NOT IN USE.

DANGER
ELECTRICAL HAZARD
OPERATE WITH MAIN LINE
ELECTRICITY. ALWAYS WEAR
PROPERLY FITTING SAFETY
GLASSES AND PROTECTIVE
CLOTHING. ALWAYS USE
PROPER LIFTING TECHNIQUE.
DO NOT OPERATE WITH
OVERLOADING. ALWAYS
WEAR YOUR SEATBELT.
DO NOT OPERATE WITH
IMPAIRED JUDGMENT OR
ABILITY. ALWAYS WEAR
YOUR SEATBELT.
DO NOT OPERATE WITH
IMPAIRED JUDGMENT OR
ABILITY. ALWAYS WEAR
YOUR SEATBELT.

CAUTION
ELECTRICAL HAZARD
OPERATE WITH MAIN LINE
ELECTRICITY. ALWAYS WEAR
PROPERLY FITTING SAFETY
GLASSES AND PROTECTIVE
CLOTHING. ALWAYS USE
PROPER LIFTING TECHNIQUE.
DO NOT OPERATE WITH
OVERLOADING. ALWAYS
WEAR YOUR SEATBELT.
DO NOT OPERATE WITH
IMPAIRED JUDGMENT OR
ABILITY. ALWAYS WEAR
YOUR SEATBELT.

DANGER
ELECTRICATION HAZARD
OPERATE WITH MAIN LINE
ELECTRICITY. ALWAYS WEAR
PROPERLY FITTING SAFETY
GLASSES AND PROTECTIVE
CLOTHING. ALWAYS USE
PROPER LIFTING TECHNIQUE.
DO NOT OPERATE WITH
OVERLOADING. ALWAYS
WEAR YOUR SEATBELT.
DO NOT OPERATE WITH
IMPAIRED JUDGMENT OR
ABILITY. ALWAYS WEAR
YOUR SEATBELT.

NOTE:
CAPACITY DECALS AND VENTURO LOGO DECALS MUST
BE PLACED ON BOTH SIDES OF PRIMARY BOOM.

	VENCO VENTURO INDUSTRIES LLC CINCINNATI, OHIO		TITLE	DECAL LOCATIONS		SECTION	C400
	VC750FB (VJCAAA)		DATE	11-01-16	SUPERSEDES		CEV192

ITEM NO.	PART NO.	QTY	DESCRIPTION
1	15397	1	BOM; ACCIDENT PREVENTION SIGNS
2	17389-4	2	DECAL; VENTURO (SMALL)
3	15672-750	2	DECAL; CAPACITY, 750 LBS
4	CEV191	2	DECAL; MODEL, VC750FB
5	CEV193	1	IDWG: FIELD SERVICE LABEL KIT

15397 ACCIDENT PREVENTION SIGNS		
PART NO.	QTY.	DESCRIPTION
15390	1	DECAL; CAUTION, OPERATIONS
15391	1	DECAL; DANGER, NOT PASSENGER LIFT
15392	1	DECAL; DANGER, ELECTRICAL HAZARD SIGN
15393	4	DECAL; DANGER, ELECTRICAL HAZARD
15394	1	APPLICATION INSTRUCTIONS
15398	1	DECAL; UNPLUG PENDANT
15401	1	DECAL; UNLAWFUL TO OPERATE
15513	1	DECAL; MASTER DISCONNECT
22317	1	DECAL SHEET; VENTURO, COMPLEMENTARY
20927	1	DECAL; CRANE STABILITY



VENCO VENTURO INDUSTRIES LLC
CINCINNATI, OHIO

TITLE
FIELD SERVICE LABEL KIT
VC750FB (VJCAAA)

DATE
11-01-16
SUPERSEDES
-

SECTION
C400
CEV193



VENTURO CRANES LIMITED WARRANTY POLICY

Venturo products are built to last...we guarantee them.

As a purchaser of any new Venturo product covered by warranty, you will receive 1 year of the most complete coverage available...and, at no added cost to you.

1-Year Limited Warranty Policy

This limited policy warrants new products of Venturo to be free from defects in material and workmanship for a period of one (1) year from date of original installation. OEM products or accessories purchased by Venturo as part of or offered with our product will carry the OEM manufacturer's respective warranty. Our warranty covers:

- ***Repair or replacement of product***
- ***Labor to repair or replace product***
- ***Freight to return and/or replace product***

We shall not be liable for any contingent liabilities arising out of the improper function of any products. Warranty shall become void if the product is improperly installed, modified, damaged, abused or used for application other than intended use. There is no warranty of merchantability, fitness for a particular purpose, warranty arising from course of dealing or usage of trade, or any other implied or expressed warranty, except as made specifically herein. This warranty supersedes all previous warranties, written or implied.

Warranty Claims

Venco Venturo Industries LLC will make a good faith effort for prompt correction or other adjustment with respect to any product, which proves to be defective after our inspection and within the warranty period. Before any repairs are attempted or before returning any product, your Venturo Distributor is required to obtain a warranty claim number. This number is necessary for any claim to be considered. To obtain a warranty claim number, Venturo requires the model and serial number. Only authorized Venturo Distributors can perform warranty. For the name and address of your local Venturo Distributor call the **Warranty Claim Department - 513-772-8448**.

WARNING - It is the responsibility of the installer to ensure the installation is completed according to the manufacturer's recommendations, ensure the ultimate user understands how to operate product in a safe manner, and understands the need for regular service and maintenance by an authorized Venturo Distributor. No modifications or alterations may be made to any Venturo product without the expressed written consent of Venco Venturo Industries LLC. Installation of any Venturo product must be done by an authorized Venturo Distributor, to the standards of the industry; including maintenance, service and affixing of all instruction, safety and warning decals. Users should be instructed as to the safe operation at time of delivery. Maintenance, service, operation and safety warning decals are available on request from Venco Venturo Industries LLC.

VENCO VENTURO INDUSTRIES LLC
12110 BEST PLACE | CINCINNATI, OHIO 45241
P: 800-226-2238 | F: 513-326-5427
www.venturo.com