



VC1000



LIFTING CAPACITY	
REACH (FT.)	CAPACITY (LBS.)
6	1,000

APPLICATION	
MAKE	MODEL
FORD	TRANSIT (MID/HIGH ROOF)
MERCEDES-BENZ	SPRINTER (STANDARD/HIGH)

FEATURES

- 1,000 LBS Lifting Capacity
- 6,000 FT-LBS crane moment rating
- Electric Power (12V DC)
- 6' reach (Transit), 5 ½' reach (Sprinter)
- 4 FT, 6 IN in stowed position
- Piston grip, removable pendant controller with 12' cord
- Top/Bottom mounting brackets
- (2) hand-lever controlled rotation stops
- Mounting hardware and floor channel shims
- Manual 360-degree rotation with handle- brake provides unlimited controlled load positioning
- Weight: 250 LBS
- Height: Telescopic mast for Ford Transit Mid or High Roof applications
- Master Disconnect Switch
- Single hand-crank jackleg outrigger*

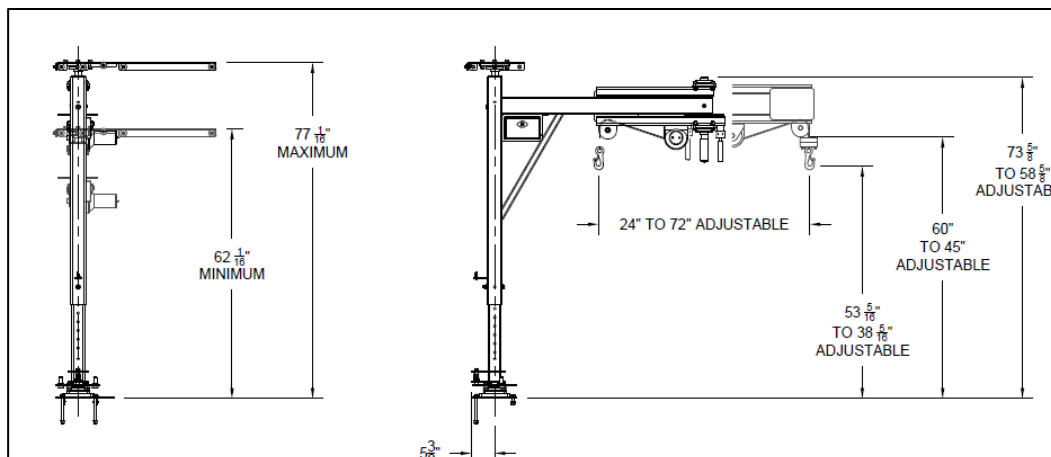
WINCH FEATURES

- 12V DC, 1.3 hp motor
- Planetary geartrain with 123:1 reduction
- Dynamic motor braking for controlled load lowering
- 25 FT of 3/16" aircraft-quality wire rope
- Load block with swivel hook and safety latch for maximum capacity loads
- Remote Control Pendant: 12 FT cord with quick disconnect

RECOMMENDED OPTIONS

- 150 AMP Circuit Breaker kit (recommended)

**Requires Class III receiver hitch, not included*



12110 Best Place | Cincinnati, Ohio 45241 | 800-226-2238 | 513-772-8446

info@venturo.com | www.venturo.com

